

# КАТАЛОГ

## Пневмоклапаны



Technical Data 4

Orifice	O. D. Of Tube	Metric Thread		Inch Threads			Taper Pipe Thread	Note
		Thread	Thread hole	Thread	Outside Diameter	Inside Diameter		
mm	mm	mm		mm			mm	
3	4	M6X1						
4	6	M8X1	Φ6.7					
5 6	8	M10X1	Φ8.5	G1/8	Φ9.7	Φ8.6	ZG1/8	01
8	10	M12X1.25	Φ10.2	G1/4	Φ13.2	Φ11.5	ZG1/4	02
10	12	M16X1.5	Φ14	G3/8	Φ16.7	Φ15.1	ZG3/8	03
15				G1/2	Φ21	Φ18.7		04
20				G3/4	Φ26.4	Φ24.2		
25				G1	Φ33.3	Φ30.3		
32				G1-1/4	Φ41.9	Φ39.1		
40				G1-1/2	Φ47.8	Φ44.9		
50				G2	Φ59.7	Φ56.7		
65				G2-1/2				
80				G3	Φ87.9	Φ85		
90				G3-1/2				
100				G4	Φ113.1	Φ110.1		

■ The level of the Ingress Protection

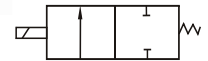
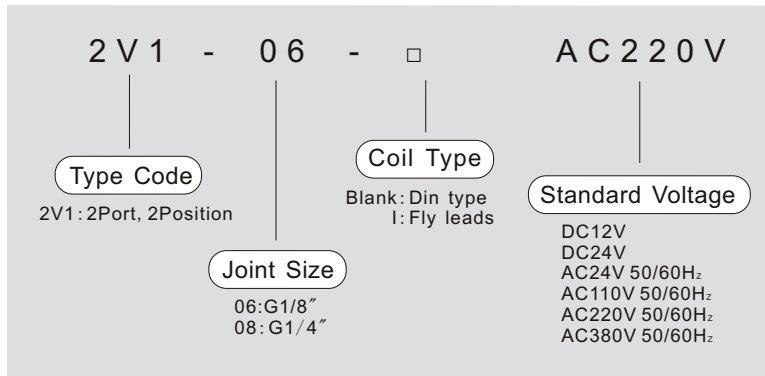
Description	I (①)			II (②)		
	Class	Numeral	Description	Class	Numeral	Description
IP ① ② ①: Impurities Infiltrated ②: Water Infiltrated	Impurities Infiltrated	0	Not Protected	Water Infiltrated	1	Dripping Water: Vertical
		1	>50mm diameter object		2	Dripping Water: ≤15° tilt
		2	>12mm diameter object		3	Dripping Water: ≤60° tilt
		3	>2.5mm diameter object		4	Spraying Water
		4	>1mm diameter object		5	Powerful Jetting Water
		5	Dust-deposited protected		6	Infiltrating Water
		6	Dust-infiltrated protected		7	Immersion

■ The Standard of the Explosion-proof Grade

Description	Explosion Mark	Anti-explosion Mark	Anti-explosion Grade	Temperature Class
Ex d II B T3 ① ② ③ ④ ⑤ ①Explosion Mark ②Anti-explosion Mark ③Explosion Category ④Anti-explosion Grade ⑤Temperature Class	Electrical Equipments in the underground mine	Isolated-explosion	d	A
	Protect	Enhanced-security type	e	B
	Factory electrical equipment	Essential safety	i	C
	Protect	Special protective type	s	
				450°C T1
				300°C T2
				200°C T3
				135°C T4

## 2V1 Series Solenoid Valve

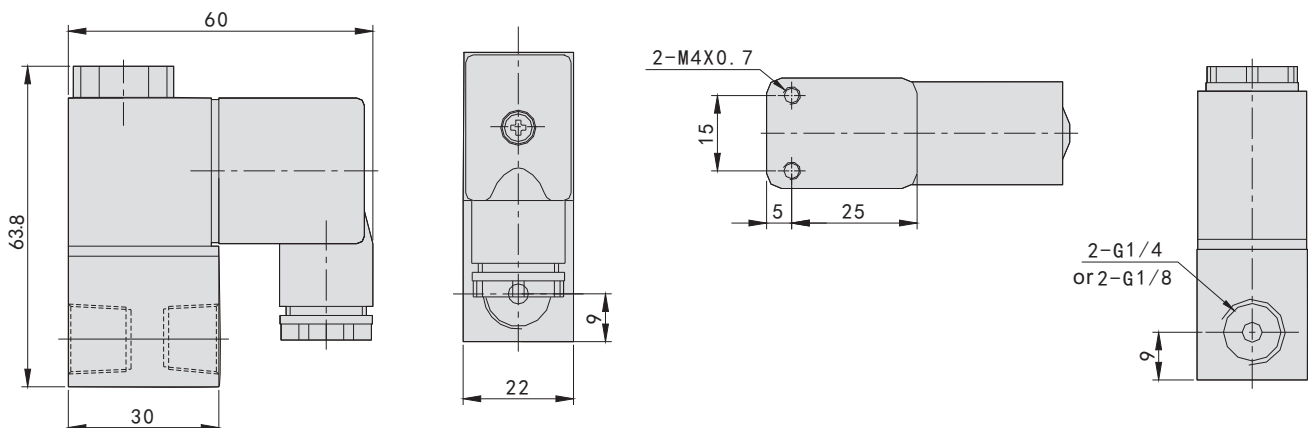
### Ordering Code 2V1 Series Solenoid Valve



### Specifications

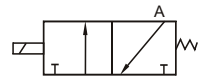
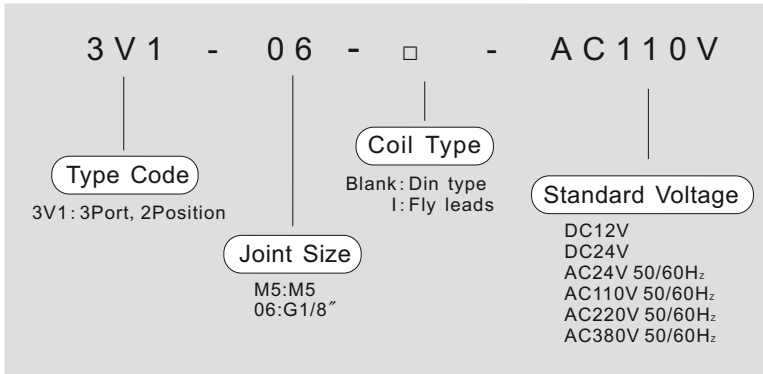
Model	2V1-06	2V1-08
Working Medium	Clean air (40µm Filtration)、Water、Oil	
Acting Type	Direct Acting Type	
Joint Size	1/8 "	1/4 "
Orifice	2mm	
Working Pressure	0~1.0Mpa	
Max. Pressure	1.5Mpa	
Working Temperature	-10~80°C	
Power	AC220V:5.5VA DC24V:4.8W	
Insulation Grade	F	
Protective Class	IP65	
Excitation Time	<0.05s	
Seal Material	NBR	

### Main Dimensions



## 3V1 Series Solenoid Valve

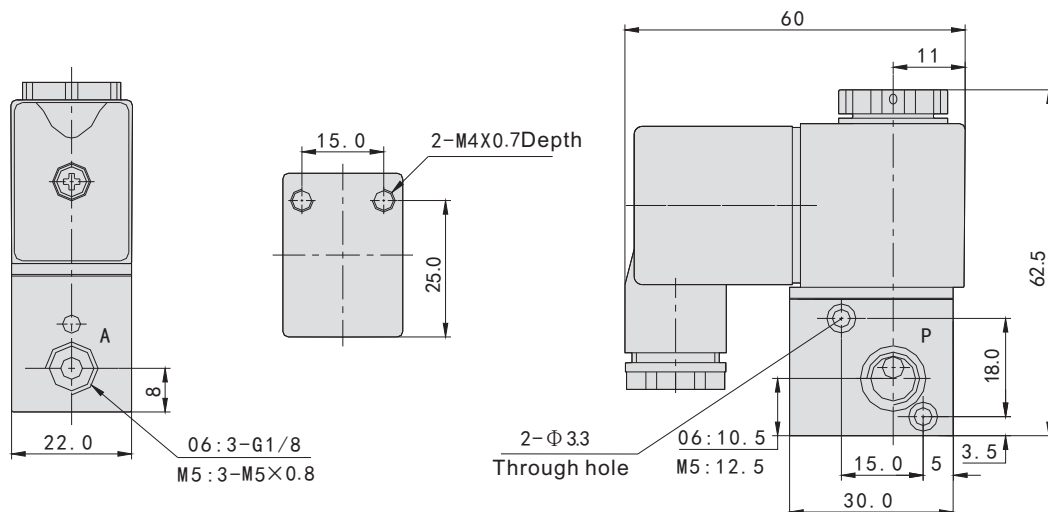
Ordering Code 3V1 Series Solenoid Valve



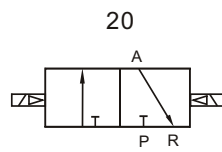
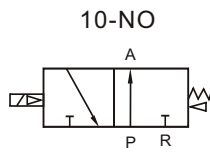
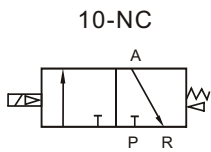
## Specifications

Model	3V1-M5	3V1-06
Working Medium	Clean air (40µm Filtration)	
Acting Type	Direct Acting Type	
Joint Size	M5	1/8"
Ways	3Port, 2Position	
Working Temperature	-5~60°C	
Orifice	1.2mm	
Working Pressure	0.8Mpa	
Coil Type	Din type, Flying leads	
Max. Acting Frequency	10Times/s	

## Main Dimensions



## 3V Series Solenoid Valve



### Product features:

- \* Stable life cycle, guaranteed 10, 000, 0000 times;
- \* Various voltage and working style are available;
- \* Different surface treatment, thread types (G, NPT, PT, BSPP, BSPT) are available.

## Ordering Code 3V Series Solenoid Valve

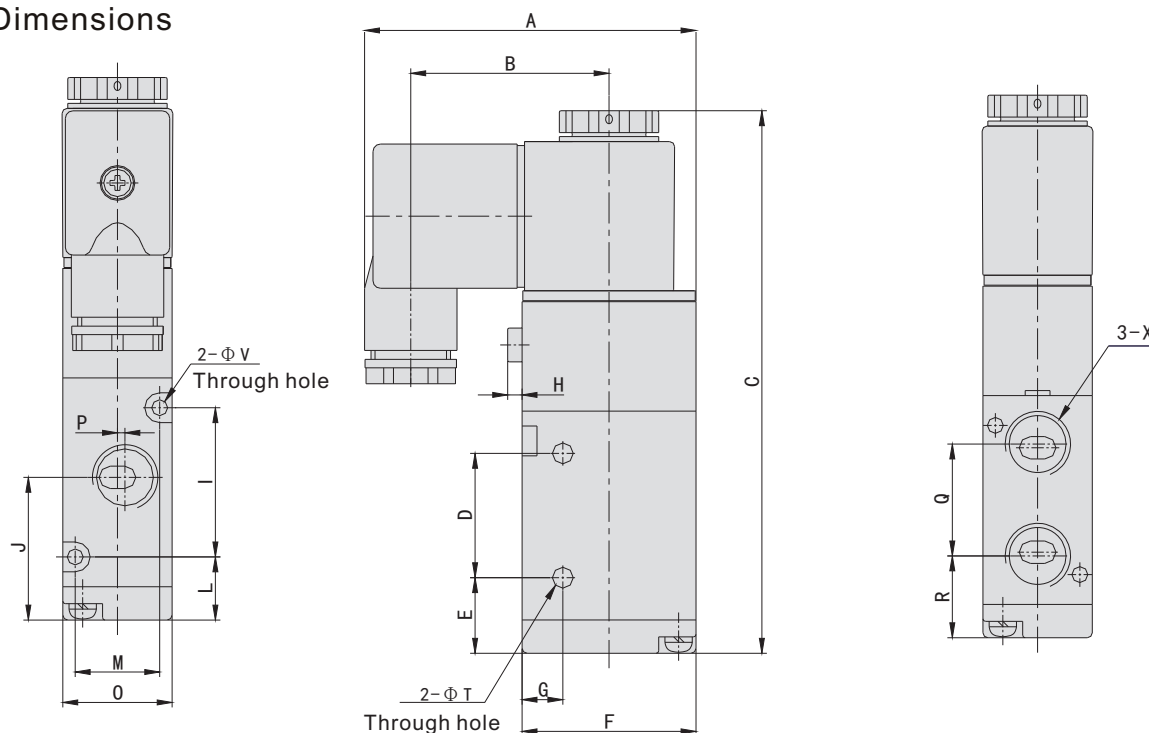
3V	2	10	-	08	-	□	-	AC 220V
Type Code	Series Code	Coil		Joint Size		Control Type		Standard Voltage
3V: 3Port, 2Position	1:100 Series 2:200 Series 3:300 Series 4:400 Series	10:Single control 20:Double control		M5:M5 06:G1/8" 08:G1/4" 10:G3/8" 15:G1/2"		Blank:Normal Close NO:Normal Open		DC12V DC24V AC24V 50/60Hz AC110V 50/60Hz AC220V 50/60Hz AC380V 50/60Hz
	Blank: Din type I: Fly leads							

## 3V Series Solenoid Valve

### Specifications 3V Series Solenoid Valve (2 Position 3 Port Single Control)

Model	3V110-M5	3V110-06	3V210-06	3V210-08	3V310-08	3V310-10	3V410-15
Working Medium	Clean air (40µm Filtration)						
Acting Type	Internal Guide						
Joint Size	Import=M5 Export=M5	Import=1/8 Export=1/8	Import=1/8 Export=1/8	Import=1/4 Export=1/4	Import=1/4 Export=1/4	Import=3/8 Export=3/8	Import=1/2 Export=1/2
Sectional Area	5.5mm <sup>2</sup> (CV=0.31)	12mm <sup>2</sup> (CV=0.67)	14mm <sup>2</sup> (CV=0.78)	16mm <sup>2</sup> (CV=0.89)	25mm <sup>2</sup> (CV=1.39)	30mm <sup>2</sup> (CV=1.67)	50mm <sup>2</sup> (CV=2.79)
Working Pressure	0.15~0.9Mpa						
Max. Pressure	1.2Mpa						
Working Temperature	-5~60°C						
Voltage Range	-15%~10%						
Heat Resistant Grade	B						
Protective Class	IP65(DIN40050)						
Coil Type	Din type, Flying leads						
Max. Acting Frequency	5Times/S						4Times/S

### Main Dimensions



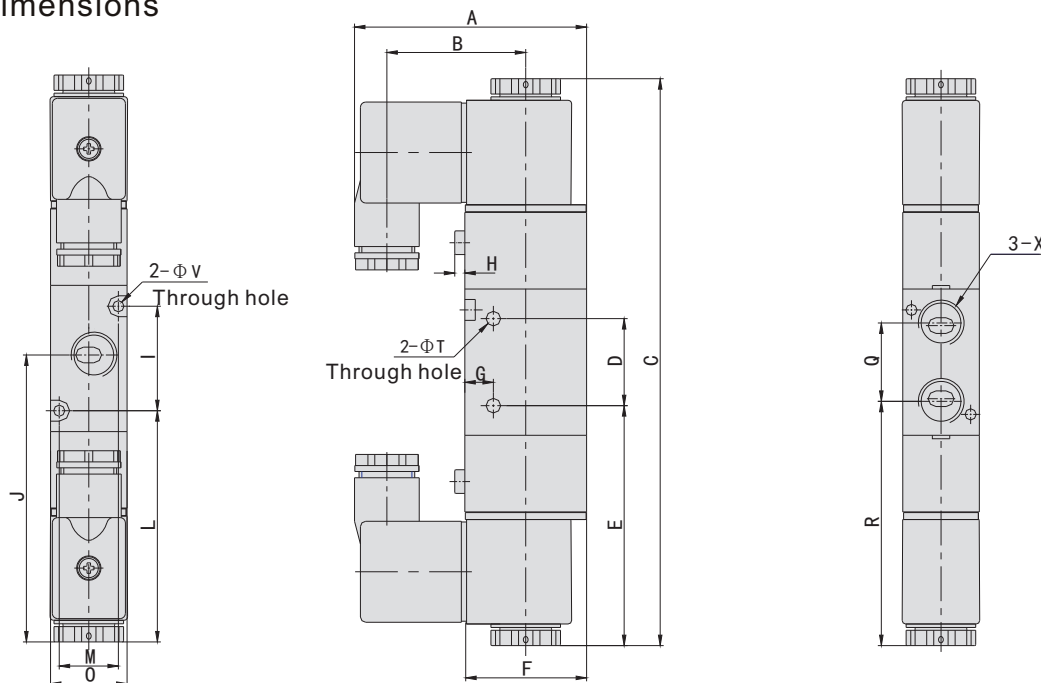
Model	Sign	A	B	C	D	E	F	G	H	I	J	L	M	O	P	Q	R	ΦV	ΦT	X
3V110-M5		55.0	34	88.4	21	12.2	27	7.7	2.5	19	22.7	13.2	13	18	0	14.2	14.7	3.3	3.1	M5
3V110-06		55.0	34	88.4	21	12.2	27	7.7	2.5	19	23.7	13.2	13	18	1	16.0	14.7	3.3	3.1	1/8"
3V210-06		66.7	40	109	25	15.2	35	8.2	3	30	27.7	12.7	17	22	0	22.0	16.7	3.2	4.2	1/8"
3V210-08		66.7	40	109	25	15.2	35	8.2	3	30	28.7	12.7	17	22	1.5	22.5	16.7	3.2	4.2	1/4"
3V310-08		69.2	40	120	30	17.5	40	10.5	2.4	35	32.5	15.0	20	27	0	24.0	20.5	4.3	4.3	1/4"
3V310-10		69.2	40	120	30	17.5	40	10.5	2.4	35	32.5	15.0	20	27	2	24.0	20.5	4.3	4.3	3/8"
3V410-15		74.2	40	137	51	17.5	50	11.5	3	40	41.5	17.0	27	34	2	31.5	25.5	4.3	4.3	1/2"

## 3V Series Solenoid Valve

### Specifications 3V Series Solenoid Valve (2 Position 3 Port Double Control)

Model	3V120-M5	3V120-06	3V220-06	3V220-08	3V320-08	3V320-10	3V420-15
Working Medium	Clean air (40µm Filtration)						
Acting Type	Internal Guide						
Joint Size	Import=M5 Export=M5	Import=1/8 Export=1/8	Import=1/8 Export=1/8	Import=1/4 Export=1/4	Import=1/4 Export=1/4	Import=3/8 Export=3/8	Import=1/2 Export=1/2
Sectional Area	5.5mm <sup>2</sup> (CV=0.31)	12mm <sup>2</sup> (CV=0.67)	14mm <sup>2</sup> (CV=0.78)	16mm <sup>2</sup> (CV=0.89)	25mm <sup>2</sup> (CV=1.39)	30mm <sup>2</sup> (CV=1.67)	50mm <sup>2</sup> (CV=2.79)
Working Pressure	0.15~0.9Mpa						
Max. Pressure	1.2Mpa						
Working Temperature	-5~60°C						
Voltage Range	-15%~10%						
Heat Resistant Grade	B						
Protective Class	IP65(DIN40050)						
Coil Type	Din type, Flying leads						
Max. Acting Frequency	5Times/S						4Times/S

### Main Dimensions



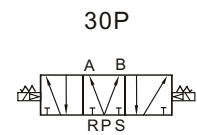
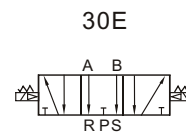
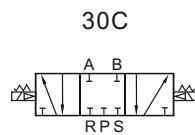
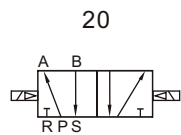
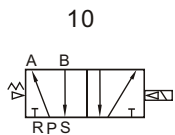
Model	Sign	A	B	C	D	E	F	G	H	I	J	L	M	O	X	Q	R	ΦV	ΦT
3V120-M5		55	34	131.4	21	55.2	27	7.7	2.5	19	65.7	56.2	13	18	M5	16	57.7	3.3	3.1
3V120-06		55	34	131.4	21	55.2	27	7.7	2.5	19	66.7	56.2	13	18	1/8"	16	57.7	3.3	3.1
3V220-06		66.7	40	162.8	25	69	35	8.2	3	30	81.4	66.4	17	22	1/8"	22	70.2	3.2	4.2
3V220-08		66.7	40	162.8	25	69	35	8.2	3	30	82.4	66.4	17	22	1/4"	22.5	70.2	3.2	4.2
3V320-08		69.2	40	174.8	30	72.4	40	10.5	2.4	35	87.4	70.0	20	27	1/4"	24	75.4	4.3	4.3
3V320-10		69.2	40	174.8	30	72.4	40	10.5	2.4	35	87.4	70.0	20	27	3/8"	24	75.4	4.3	4.3
3V420-15		74.2	40	190.5	51	95	50	11.5	3	40	95	82	27	34	1/2"	31.5	79.5	4.3	4.3

## 4S Series Solenoid Valve



### Product features:

- \* Die-Casting valve body;
- \* Big Flow;
- \* Light-Weight;
- \* Good storage function.



### Ordering Code 4S Series Solenoid Valve

4 S	2	1 0	-	0 8	-	□	-	A C 2 2 0 V
Type Code	Series Code	Coil		Joint Size		Coil Type		Standard Voltage
4S: 5Port, 2Position	1:100 Series 2:200 Series 3:300 Series 4:400 Series	10:Single control 20:Double control 30C: Double control 3Position Center Close 30E: Double control 3Position Center Exhaust 30P: Double control 3Position Center Pressure		06:G1/8" 08:G1/4" 10:G3/8" 15:G1/2"		Blank: Din type I: Fly leads		DC12V DC24V AC24V 50/60Hz AC110V 50/60Hz AC220V 50/60Hz AC380V 50/60Hz

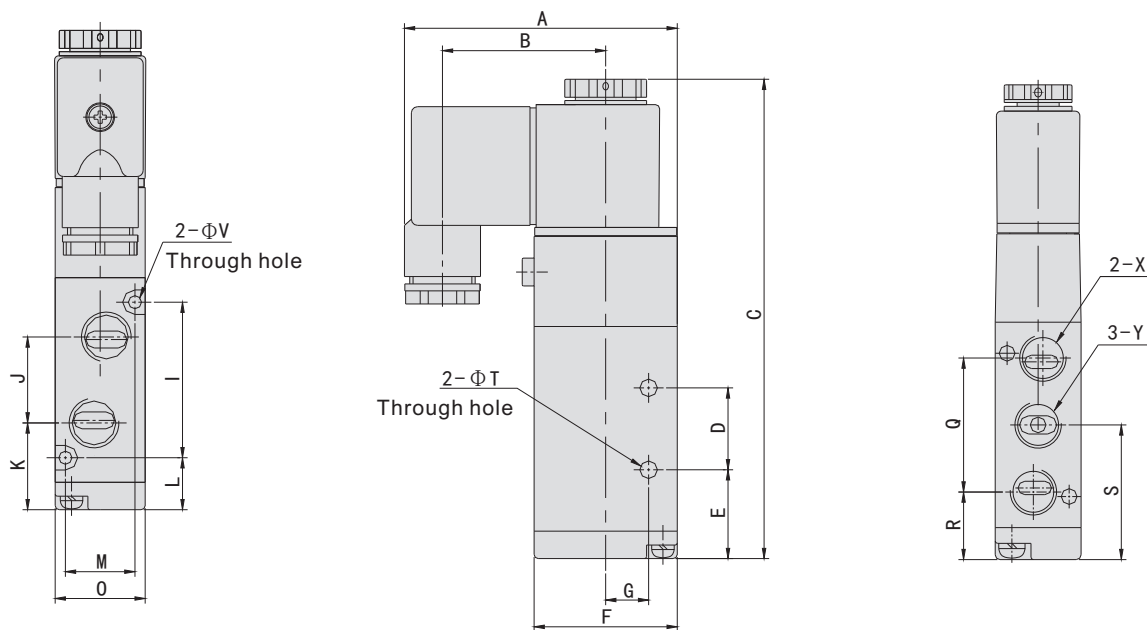


## 4S Series Solenoid Valve

### Specifications 4S Series Solenoid Valve (2 Position 5 Port Double Control)

Model	4S110-06	4S210-08	4S310-10	4S410-15
Working Medium	Clean air (40µm Filtration)			
Acting Type	Internal Guide			
Joint Size	Import=1/8 Export=1/8 Exhaust=1/8	Import=1/4 Export=1/4 Exhaust=1/8	Import=3/8 Export=3/8 Exhaust=1/4	Import=1/2 Export=1/2 Exhaust=1/2
Sectional Area	18mm <sup>2</sup>	18mm <sup>2</sup>	50mm <sup>2</sup>	50mm <sup>2</sup>
Flow	799NI/min	799NI/min	1554NI/min	2220NI/min
Working Pressure	0.2~0.8Mpa			
Max. Pressure	1.2Mpa			
Working Temperature	-5~60°C			
Voltage Range	-15%~10%			
Heat Resistant Grade	B			
Protective Class	IP65(DIN40050)			
Coil Type	Din type, Flying leads			
Max. Acting Frequency	5Times/S		4Times/S	3Times/S

### Main Dimensions



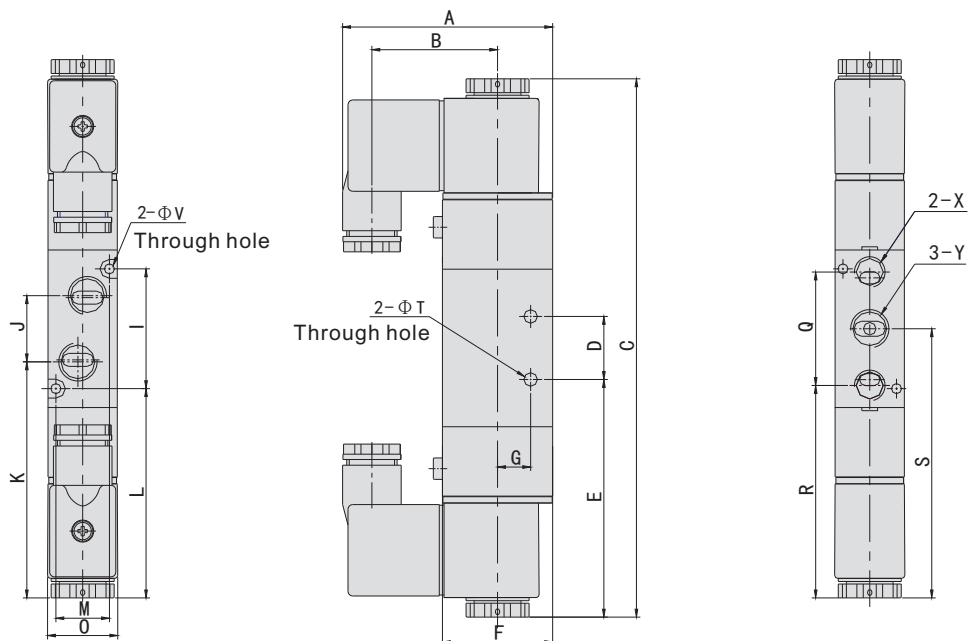
Model	Sign	A	B	C	D	E	F	G	K	I	J	L	M	O	S	Q	R	ΦV	ΦT	X	Y
4S110-06		55	34	99.4	14	21.2	27	9.5	20.2	30	16	13.2	13	18	28.2	28	14.2	3.3	3.3	1/8"	1/8"
4S210-08		66.7	40	117	20	21.7	35	10.5	21.2	38	21	12.7	17	22	31.7	36	13.7	3.2	4.3	1/8"	1/4"
4S310-10		69.2	40	135	24	28	40	13.5	28	50	24	15	20	27	40	45	17.5	4.3	4.3	1/4"	3/8"
4S410-15		74.2	40	168.4	28	43	50	17.5	39	72	36	21	27	34	57	63	25.5	4.3	5.5	1/2"	1/2"

## 4S Series Solenoid Valve

### Specifications 4S Series Solenoid Valve (2 Position 5 Port Double Control)

Model	4S120-06	4S220-08	4S320-10	4S420-15
Working Medium	Clean air (40µm Filtration)			
Acting Type	Internal Guide			
Joint Size	Import=1/8 Export=1/8 Exhaust=1/8	Import=1/4 Export=1/4 Exhaust=1/8	Import=3/8 Export=3/8 Exhaust=1/4	Import=1/2 Export=1/2 Exhaust=1/2
Sectional Area	18mm <sup>2</sup>	18mm <sup>2</sup>	50mm <sup>2</sup>	50mm <sup>2</sup>
Flow	799NI/min	799NI/min	1554NI/min	2220NI/min
Working Pressure	0.2~0.8Mpa			
Max. Pressure	1.2Mpa			
Working Temperature	-5~60°C			
Voltage Range	-15%~10%			
Heat Resistant Grade	B			
Protective Class	IP65(DIN40050)			
Coil Type	Din type, Flying leads			
Max. Acting Frequency	5Times/S		4Times/S	3Times/S

### Main Dimensions



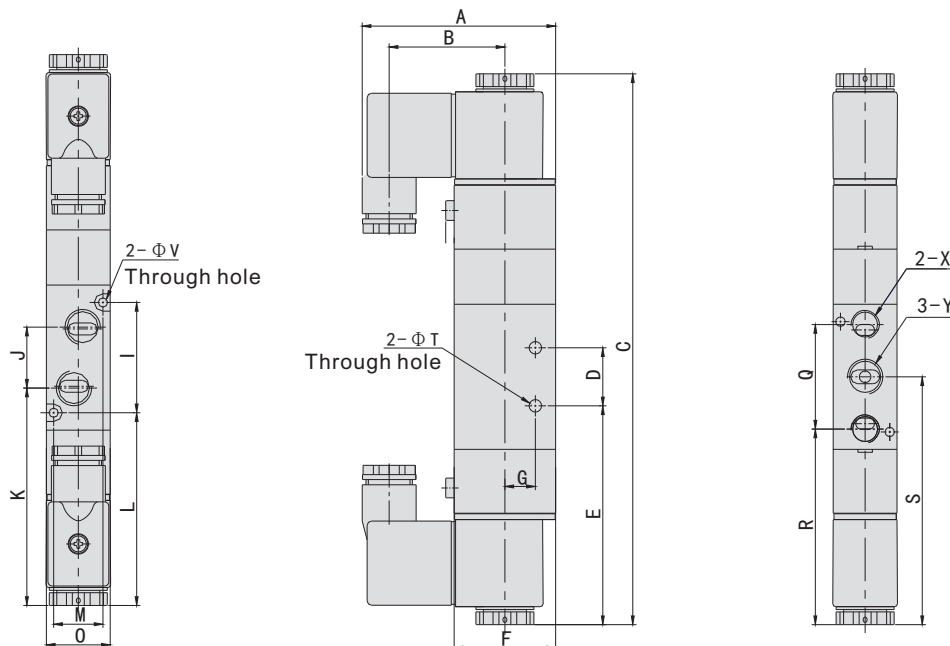
Model	Sign	A	B	C	D	E	F	G	K	I	J	L	M	O	S	Q	R	ΦV	ΦT	X	Y
4S120-06		55	34	142.4	14	64.2	27	9.5	63.2	30	16	56.2	13	18	71.2	28	57.2	3.3	3.3	1/8"	1/8"
4S220-08		66.7	40	171	20	75.4	35	10.5	74.9	38	21	66.4	17	22	85.4	36	67.4	3.2	4.3	1/8"	1/4"
4S320-10		69.2	40	190	24	82.9	40	13.5	82.9	50	24	69.9	20	27	94.9	45	72.4	4.3	4.3	1/4"	3/8"
4S420-15		74.2	40	222.8	28	97.4	50	17.5	93.4	72	36	75.4	27	34	111.4	63	80	4.3	5.5	1/2"	1/2"

## 4S Series Solenoid Valve

### Specifications 4S Series Solenoid Valve (3 Position 5 Port)

Model	4S130C-06	4S230C-08	4S330C-10	4S430C-15
	4S130E-06	4S230E-08	4S330E-10	4S430E-15
	4S130P-06	4S230P-08	4S330P-10	4S430P-15
Working Medium	Clean air (40µm Filtration)			
Acting Type	Internal Guide			
Joint Size	Import=1/8 Export=1/8 Exhaust=1/8	Import=1/4 Export=1/4 Exhaust=1/8	Import=3/8 Export=3/8 Exhaust=1/4	Import=1/2 Export=1/2 Exhaust=1/2
Sectional Area	16mm <sup>2</sup>	16mm <sup>2</sup>	25mm <sup>2</sup>	30mm <sup>2</sup>
Flow	710NI/min	710NI/min	1110NI/min	1332NI/min
Working Pressure	0.2~0.8Mpa			
Max. Pressure	1.2Mpa			
Working Temperature	-5~60°C			
Voltage Range	-15%~10%			
Heat Resistant Grade	B			
Protective Class	IP65(DIN40050)			
Coil Type	Din type, Flying leads			
Max. Acting Frequency	5Times/S		4Times/S	3Times/S

### Main Dimensions: Center Close/Center Exhaust/Center Pressure



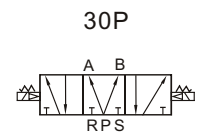
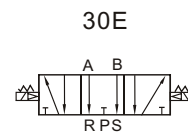
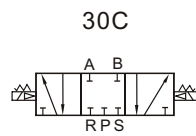
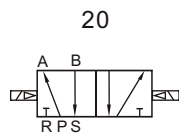
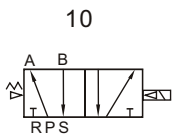
Model	Sign	A	B	C	D	E	F	G	K	I	J	L	M	O	S	Q	R	ΦV	ΦT	X	Y
4S130-06		55	34	157.4	14	64.2	27	9.5	63.2	30	16	56.2	13	18	71.2	28	57.2	3.3	3.3	1/8"	1/8"
4S230-08		66.7	40	190	20	75.4	35	10.5	74.9	38	21	66.4	17	22	85.4	36	67.4	3.2	4.3	1/8"	1/4"
4S330-10		69.2	40	209	24	82.9	40	13.5	82.9	50	24	69.9	20	27	95	45	72.4	4.3	4.3	1/4"	3/8"
4S430-15		74.2	40	243.8	28	97.4	50	17.5	93.4	72	36	75.4	27	34	111.4	63	79.9	4.3	5.5	1/2"	1/2"

## 4V Series Solenoid Valve



### Product features:

- \* Stable life cycle, guaranteed 10,000,000 times;
- \* Various voltage and working style are available;
- \* Different surface treatment, thread types (G, NPT, PT, BSPP, BSPT) are available.



### Ordering Code 4V Series Solenoid Valve

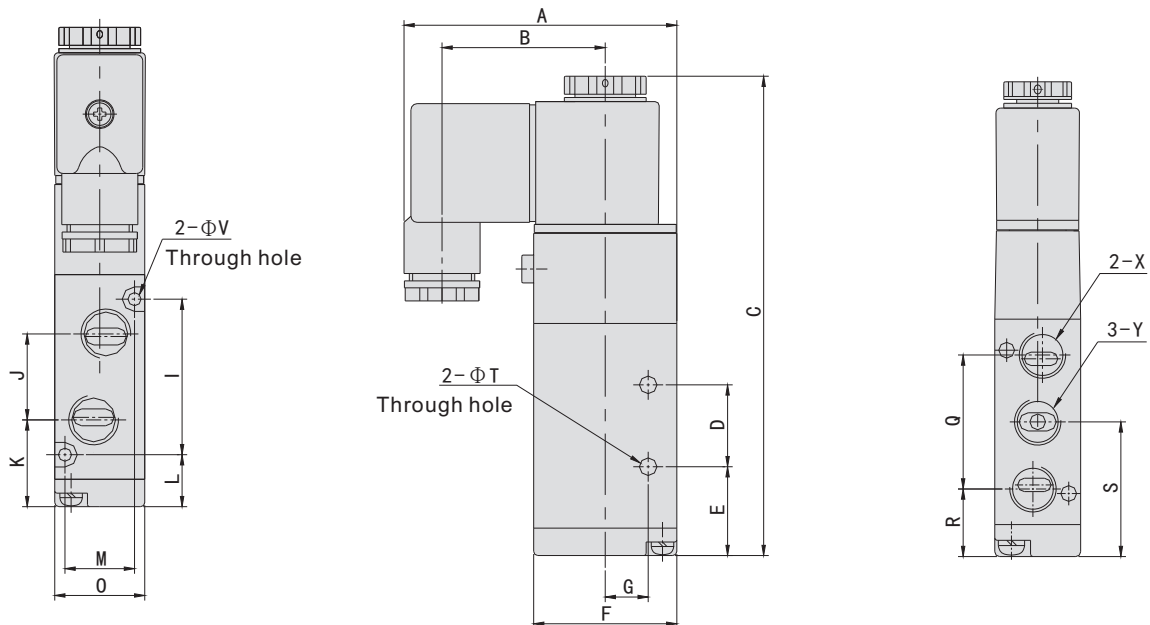
4 V	2	1 0	-	0 8	-	□	-	A C 2 2 0 V
Type Code	Series Code	Coil		Joint Size		Coil Type		Standard Voltage
4V : 5Port, 2Position	1:100 Series 2:200 Series 3:300 Series 4:400 Series	10:Single control 20:Double control 30C: Double control 3Position Center Close 30E: Double control 3Position Center Exhaust 30P: Double control 3Position Center Pressure		M5:M5 06:G1/8" 08:G1/4" 10:G3/8" 15:G1/2"		Blank: Din type I: Fly leads		DC12V DC24V AC24V 50/60Hz AC110V 50/60Hz AC220V 50/60Hz AC380V 50/60Hz

## 4V Series Solenoid Valve

### Specifications 4V Series Solenoid Valve (2 Position 5 Port Single Control)

Model	4V110-M5	4V110-06	4V210-06	4V210-08	4V310-08	4V310-10	4V410-15
Working Medium	Clean air (40µm Filtration)						
Acting Type	Internal Guide						
Joint Size	Import=M5 Export=M5 Exhaust=M5	Import=1/8 Export=1/8 Exhaust=1/8	Import=1/8 Export=1/8 Exhaust=1/8	Import=1/4 Export=1/4 Exhaust=1/8	Import=1/4 Export=1/4 Exhaust=1/4	Import=3/8 Export=3/8 Exhaust=1/4	Import=1/2 Export=1/2 Exhaust=1/2
Sectional Area	5.5mm <sup>2</sup> (CV=0.31)	12mm <sup>2</sup> (CV=0.67)	14mm <sup>2</sup> (CV=0.78)	16mm <sup>2</sup> (CV=0.89)	25mm <sup>2</sup> (CV=1.39)	30mm <sup>2</sup> (CV=1.67)	50mm <sup>2</sup> (CV=2.79)
Working Pressure	0.15~0.9Mpa						
Max. Pressure	1.2Mpa						
Working Temperature	-5~60°C						
Voltage Range	-15%~10%						
Heat Resistant Grade	B						
Protective Class	IP65(DIN40050)						
Coil Type	Din type, Flying leads						
Max. Acting Frequency	5Times/S			4Times/S		3Times/S	

### Main Dimensions



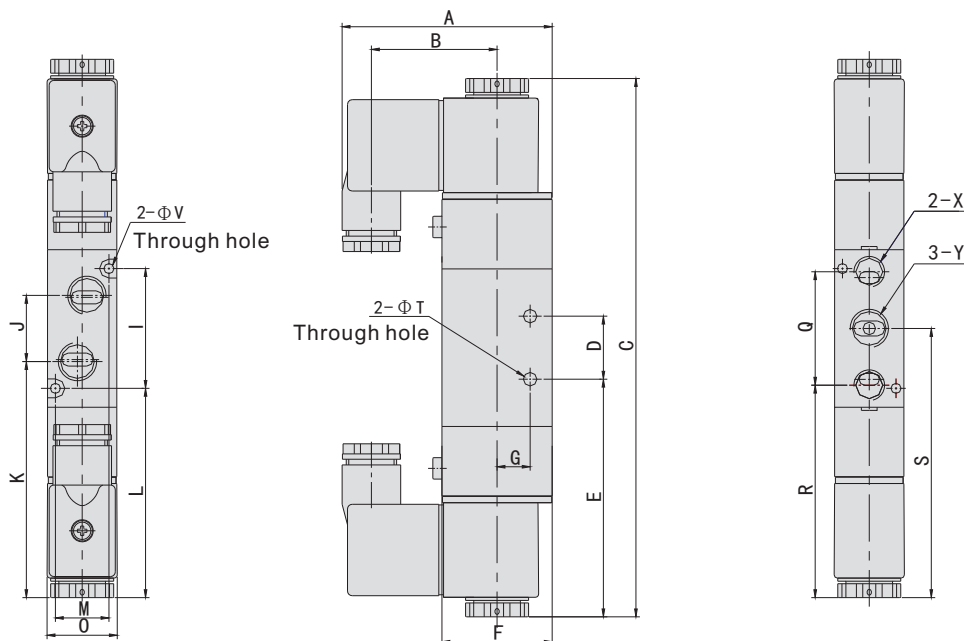
Model	Sign	A	B	C	D	E	F	G	K	I	J	L	M	O	S	Q	R	$\Phi V$	$\Phi T$	X	Y
4V110-M5		55	34	99.4	14	21.2	27	9.5	21.2	30	14	13.2	13	18	28.2	27	14.7	3.3	3.3	M5	M5
4V110-06		55	34	99.4	14	21.2	27	9.5	20.2	30	16	13.2	13	18	28.2	28	14.2	3.3	3.3	1/8"	1/8"
4V210-06		66.7	40	117	20	21.7	35	10.5	22.7	38	18	12.7	17	22	31.7	36	13.7	3.2	4.3	1/8"	1/8"
4V210-08		66.7	40	117	20	21.7	35	10.5	21.2	38	21	12.7	17	22	31.7	36	13.7	3.2	4.3	1/8"	1/4"
4V310-08		69.2	40	135	24	28	40	13.5	29	50	22	15	20	27	40	45	17.5	4.3	4.3	1/4"	1/4"
4V310-10		69.2	40	135	24	28	40	13.5	28	50	24	15	20	27	40	45	17.5	4.3	4.3	1/4"	3/8"
4V410-15		74.2	40	168.4	28	43	50	17.5	39	72	36	21	27	34	57	63	25.5	4.3	5.5	1/2"	1/2"

## 4V Series Solenoid Valve

### Specifications 4V Series Solenoid Valve (2 Position 5 Port Double Control)

Model	4V120-M5	4V120-06	4V220-06	4V220-08	4V320-08	4V320-10	4V420-15
Working Medium	Clean air (40µm Filtration)						
Acting Type	Internal Guide						
Joint Size	Import=M5 Export=M5 Exhaust=M5	Import=1/8 Export=1/8 Exhaust=1/8	Import=1/8 Export=1/8 Exhaust=1/8	Import=1/4 Export=1/4 Exhaust=1/8	Import=1/4 Export=1/4 Exhaust=1/4	Import=3/8 Export=3/8 Exhaust=1/4	Import=1/2 Export=1/2 Exhaust=1/2
Sectional Area	5.5mm <sup>2</sup> (CV=0.31)	12mm <sup>2</sup> (CV=0.67)	14mm <sup>2</sup> (CV=0.78)	16mm <sup>2</sup> (CV=0.89)	25mm <sup>2</sup> (CV=1.39)	30mm <sup>2</sup> (CV=1.67)	50mm <sup>2</sup> (CV=2.79)
Working Pressure	0.15~0.9Mpa						
Max. Pressure	1.2Mpa						
Working Temperature	-5~60°C						
Voltage Range	-15%~10%						
Heat Resistant Grade	B						
Protective Class	IP65(DIN40050)						
Coil Type	Din type、Flying leads						
Max. Acting Frequency	5Times/S				4Times/S		3Times/S

### Main Dimensions



Model	Sign	A	B	C	D	E	F	G	K	I	J	L	M	O	S	Q	R	ΦV	ΦT	X	Y
4V120-M5		55	34	142.4	14	64.2	27	9.5	64.3	30	14	56.2	13	18	71.2	27	57.2	3.3	3.3	M5	M5
4V120-06		55	34	142.4	14	64.2	27	9.5	63.2	30	16	56.2	13	18	71.2	28	57.2	3.3	3.3	1/8"	1/8"
4V220-06		66.7	40	171	20	75.4	35	10.5	76.4	38	18	66.4	17	22	85.4	36	67.4	3.2	4.3	1/8"	1/8"
4V220-08		66.7	40	171	20	75.4	35	10.5	74.9	38	21	66.4	17	22	85.4	36	67.4	3.2	4.3	1/8"	1/4"
4V320-08		69.2	40	190	24	82.9	40	13.5	83.9	50	22	69.9	20	27	94.9	45	72.4	4.3	4.3	1/4"	1/4"
4V320-10		69.2	40	190	24	82.9	40	13.5	82.9	50	24	69.9	20	27	94.9	45	72.4	4.3	4.3	1/4"	3/8"
4V420-15		74.2	40	222.8	28	97.4	50	17.5	93.4	72	36	75.4	27	34	111.4	63	80	4.3	5.5	1/2"	1/2"

## 4V Series Solenoid Valve

### Specifications 4V Series Solenoid Valve (3 Position 5 Port Center Close)

Model	4V130C-M5	4V130C-06	4V230C-06	4V230C-08	4V330C-08	4V330C-10	4V430C-15
Working Medium	Clean air (40µm Filtration)						
Acting Type	Internal Guide						
Joint Size	Import=M5 Export=M5 Exhaust=M5	Import=1/8 Export=1/8 Exhaust=1/8	Import=1/8 Export=1/8 Exhaust=1/8	Import=1/4 Export=1/4 Exhaust=1/8	Import=1/4 Export=1/4 Exhaust=1/4	Import=3/8 Export=3/8 Exhaust=1/4	Import=1/2 Export=1/2 Exhaust=1/2
Sectional Area	5mm <sup>2</sup> (CV=0.28)	9mm <sup>2</sup> (CV=0.50)	12mm <sup>2</sup> (CV=0.67)	12mm <sup>2</sup> (CV=0.67)	18mm <sup>2</sup> (CV=1.0)	18mm <sup>2</sup> (CV=1.0)	30mm <sup>2</sup> (CV=1.67)
Working Pressure	0.15~0.9Mpa						
Max. Pressure	1.2Mpa						
Working Temperature	-5~60°C						
Voltage Range	-15%~10%						
Heat Resistant Grade	B						
Protective Class	IP65(DIN40050)						
Coil Type	Din type、Flying leads						
Max. Acting Frequency	3Times/S						

### Specifications 4V Series Solenoid Valve (3 Position 5 Port Center Exhaust)

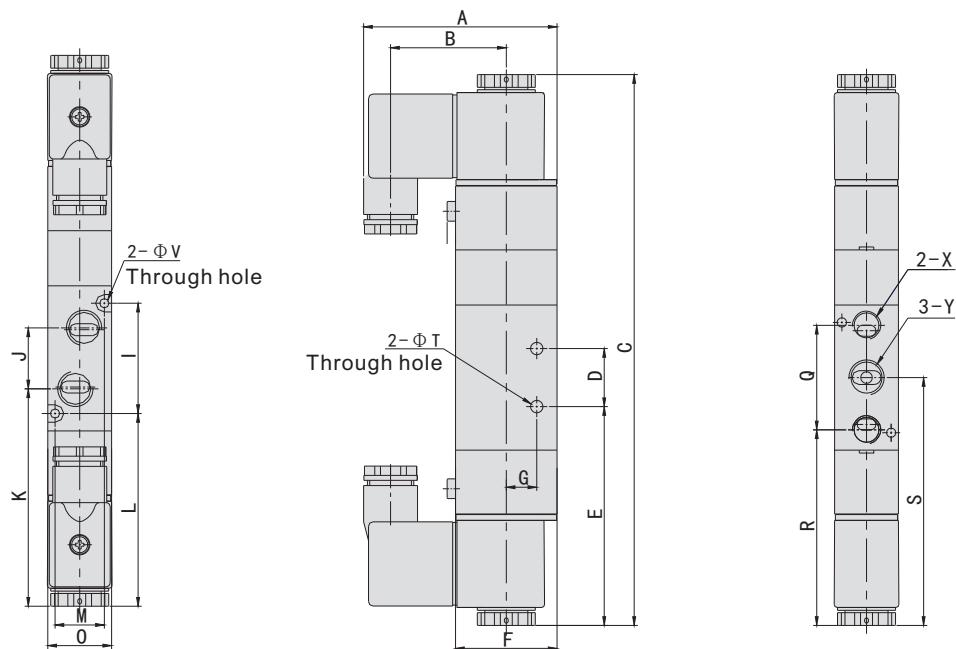
Model	4V130E-M5	4V130E-06	4V230E-06	4V230E-08	4V330E-08	4V330E-10	4V430E-15
Working Medium	Clean air (40µm Filtration)						
Acting Type	Internal Guide						
Joint Size	Import=M5 Export=M5 Exhaust=M5	Import=1/8 Export=1/8 Exhaust=1/8	Import=1/8 Export=1/8 Exhaust=1/8	Import=1/4 Export=1/4 Exhaust=1/8	Import=1/4 Export=1/4 Exhaust=1/4	Import=3/8 Export=3/8 Exhaust=1/4	Import=1/2 Export=1/2 Exhaust=1/2
Sectional Area	5mm <sup>2</sup> (CV=0.28)	12mm <sup>2</sup> (CV=0.50)	12mm <sup>2</sup> (CV=0.67)	12mm <sup>2</sup> (CV=0.67)	18mm <sup>2</sup> (CV=1.0)	18mm <sup>2</sup> (CV=1.0)	30mm <sup>2</sup> (CV=1.67)
Working Pressure	0.15~0.9Mpa						
Max. Pressure	1.2Mpa						
Working Temperature	-5~60°C						
Voltage Range	-15%~10%						
Heat Resistant Grade	B						
Protective Class	IP65(DIN40050)						
Coil Type	Din type、Flying leads						
Max. Acting Frequency	3Times/S						

## 4V Series Solenoid Valve

### Specifications 4V Series Solenoid Valve (3 Position 5 Port Center Pressure)

Model	4V130P-M5	4V130P-06	4V230P-06	4V230P-08	4V330P-08	4V330P-10	4V430P-15
Working Medium	Clean air (40µm Filtration)						
Acting Type	Internal Guide						
Joint Size	Import=M5 Export=M5 Exhaust=M5	Import=1/8 Export=1/8 Exhaust=1/8	Import=1/8 Export=1/8 Exhaust=1/8	Import=1/4 Export=1/4 Exhaust=1/8	Import=1/4 Export=1/4 Exhaust=1/4	Import=3/8 Export=3/8 Exhaust=1/4	Import=1/2 Export=1/2 Exhaust=1/2
Sectional Area	5mm <sup>2</sup> (CV=0.28)	9mm <sup>2</sup> (CV=0.50)	12mm <sup>2</sup> (CV=0.67)	12mm <sup>2</sup> (CV=0.67)	18mm <sup>2</sup> (CV=1.0)	18mm <sup>2</sup> (CV=1.0)	30mm <sup>2</sup> (CV=1.67)
Working Pressure	0.15~0.9Mpa						
Max. Pressure	1.2Mpa						
Working Temperature	-5~60°C						
Voltage Range	-15%~10%						
Heat Resistant Grade	B						
Protective Class	IP65(DIN40050)						
Coil Type	Din type, Flying leads						
Max. Acting Frequency	3Times/S						

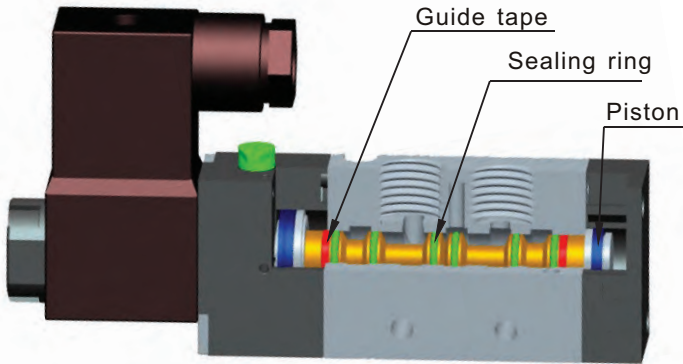
### ■ Main Dimensions: Center Close/Center Exhaust/Center Pressure



Model	Sign	A	B	C	D	E	F	G	K	I	J	L	M	O	S	Q	R	ϕV	ϕT	X	Y
4V130-M5		55	34	157.4	14	64.2	27	9.5	64.3	30	14	56.2	13	18	71.2	27	57.7	3.3	3.3	M5	M5
4V130-06		55	34	157.4	14	64.2	27	9.5	63.2	30	16	56.2	13	18	71.2	28	57.2	3.3	3.3	1/8"	1/8"
4V230-06		66.7	40	190	20	75.4	35	10.5	76.4	38	18	66.4	17	22	85.4	36	67.4	3.2	4.3	1/8"	1/8"
4V230-08		66.7	40	190	20	75.4	35	10.5	74.9	38	21	66.4	17	22	85.4	36	67.4	3.2	4.3	1/8"	1/4"
4V330-08		69.2	40	209	24	82.9	40	13.5	83.9	50	22	69.9	20	27	95	45	72.4	4.3	4.3	1/4"	1/4"
4V330-10		69.2	40	209	24	82.9	40	13.5	82.9	50	24	69.9	20	27	95	45	72.4	4.3	4.3	1/4"	3/8"
4V430-15		74.2	40	243.8	28	97.4	50	17.5	93.4	72	36	75.4	27	34	111.4	63	79.9	4.3	5.5	1/2"	1/2"

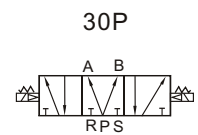
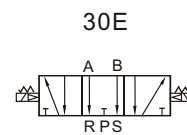
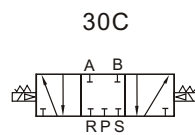
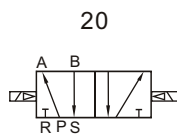
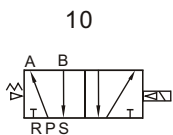


## 4R Series Solenoid Valve



### Product features:

- \* Single solenoid valve uses new design with piston reset and improve steadiness, functionality and life time;
- \* We use the spool adding high-precision support ring to improve the stability during movement It's greatly enhance the service life;
- \* For our manufacturing process we use imported HNBR to reduce friction.



### Ordering Code 4R Series Solenoid Valve

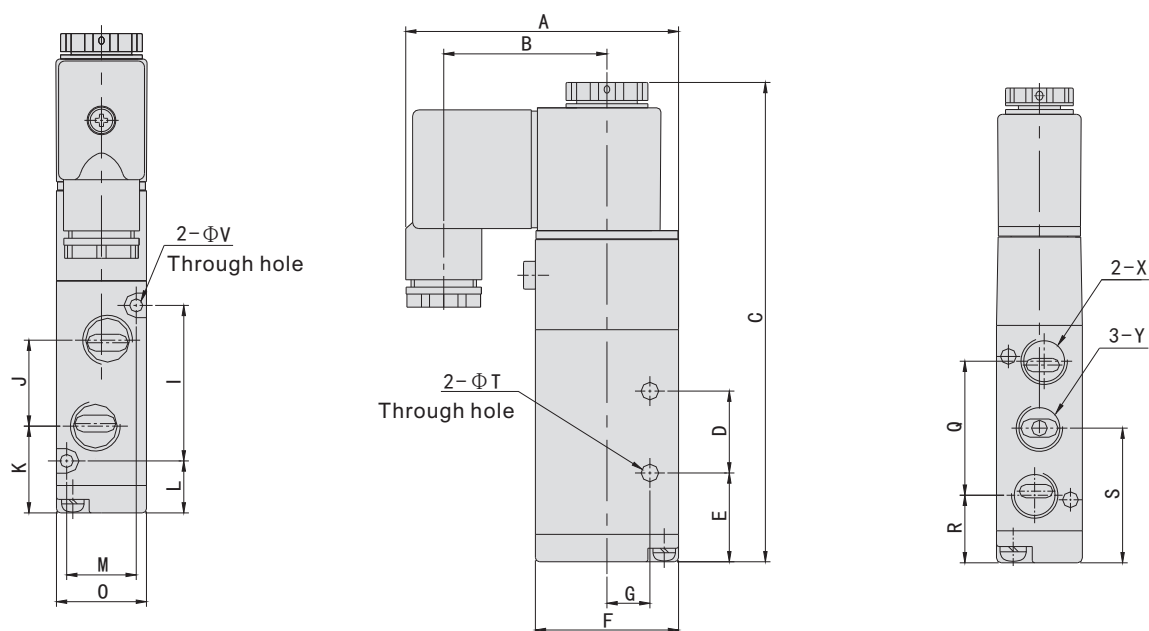
4 R	2	1 0	-	0 8	-	□	-	A C 2 2 0 V
Type Code	Series Code	Coil		Joint Size		Coil Type		Standard Voltage
4R: 5Port, 2Position	1:100 Series 2:200 Series 3:300 Series 4:400 Series	10:Single control 20:Double control 30C:Double control 3Position Center Close 30E: Double control 3Position Center Exhaust 30P: Double control 3Position Center Pressure		M5:M5 06:G1/8" 08:G1/4" 10:G3/8" 15:G1/2"		Blank: Din type I: Fly leads		DC12V DC24V AC24V 50/60Hz AC110V 50/60Hz AC220V 50/60Hz AC380V 50/60Hz

## 4R Series Solenoid Valve

### Specifications 4R Series Solenoid Valve (2 Position 5 Port Double Control)

Model	4R110-M5	4R110-06	4R210-06	4R210-08	4R310-08	4R310-10	4R410-15
Working Medium	Clean air (40µm Filtration)						
Acting Type	Internal Guide						
Joint Size	Import=M5 Export=M5 Exhaust=M5	Import=1/8 Export=1/8 Exhaust=1/8	Import=1/8 Export=1/8 Exhaust=1/8	Import=1/4 Export=1/4 Exhaust=1/8	Import=1/4 Export=1/4 Exhaust=1/4	Import=3/8 Export=3/8 Exhaust=1/4	Import=1/2 Export=1/2 Exhaust=1/2
Sectional Area	5.5mm <sup>2</sup> (CV=0.31)	12mm <sup>2</sup> (CV=0.67)	14mm <sup>2</sup> (CV=0.78)	16mm <sup>2</sup> (CV=0.89)	25mm <sup>2</sup> (CV=1.39)	30mm <sup>2</sup> (CV=1.67)	50mm <sup>2</sup> (CV=2.79)
Working Pressure	0.15~0.9Mpa						
Max. Pressure	1.2Mpa						
Working Temperature	-5~60°C						
Voltage Range	-15%~10%						
Heat Resistant Grade	B						
Protective Class	IP65(DIN40050)						
Coil Type	Din type, Flying leads						
Max. Acting Frequency	5Times/S				4Times/S		3Times/S

### Main Dimensions



Model	Sign	A	B	C	D	E	F	G	K	I	J	L	M	O	S	Q	R	ΦV	ΦT	X	Y
4R110-M5	55	34	99.4	14	21.2	27	9.5	21.2	30	14	13.2	13	18	28.2	27	14.7	3.3	3.3	M5	M5	
4R110-06	55	34	99.4	14	21.2	27	9.5	20.2	30	16	13.2	13	18	28.2	28	14.2	3.3	3.3	1/8"	1/8"	
4R210-06	66.7	40	117	20	21.7	35	10.5	22.7	38	18	12.7	17	22	31.7	36	13.7	3.2	4.3	1/8"	1/8"	
4R210-08	66.7	40	117	20	21.7	35	10.5	21.2	38	21	12.7	17	22	31.7	36	13.7	3.2	4.3	1/8"	1/4"	
4R310-08	69.2	40	135	24	28	40	13.5	29	50	22	15	20	27	40	45	17.5	4.3	4.3	1/4"	1/4"	
4R310-10	69.2	40	135	24	28	40	13.5	28	50	24	15	20	27	40	45	17.5	4.3	4.3	1/4"	3/8"	
4R410-15	74.2	40	168.4	28	43	50	17.5	39	72	36	21	27	34	57	63	25.5	4.3	5.5	1/2"	1/2"	

## V Series Manifold

### Ordering Code V Series Manifold

1 0 0 M - 5 F

Type Code      Stations No      Manifold

100M:1/8" valve body  
200M:1/4" valve body  
300M:3/8" valve body  
400M:1/2" valve body

1~16



### Ordering Code Blind plate

1 0 0 M - B

Type Code      Blind plate

100M:1/8" valve body  
200M:1/4" valve body  
300M:3/8" valve body  
400M:1/2" valve body



### Specifications

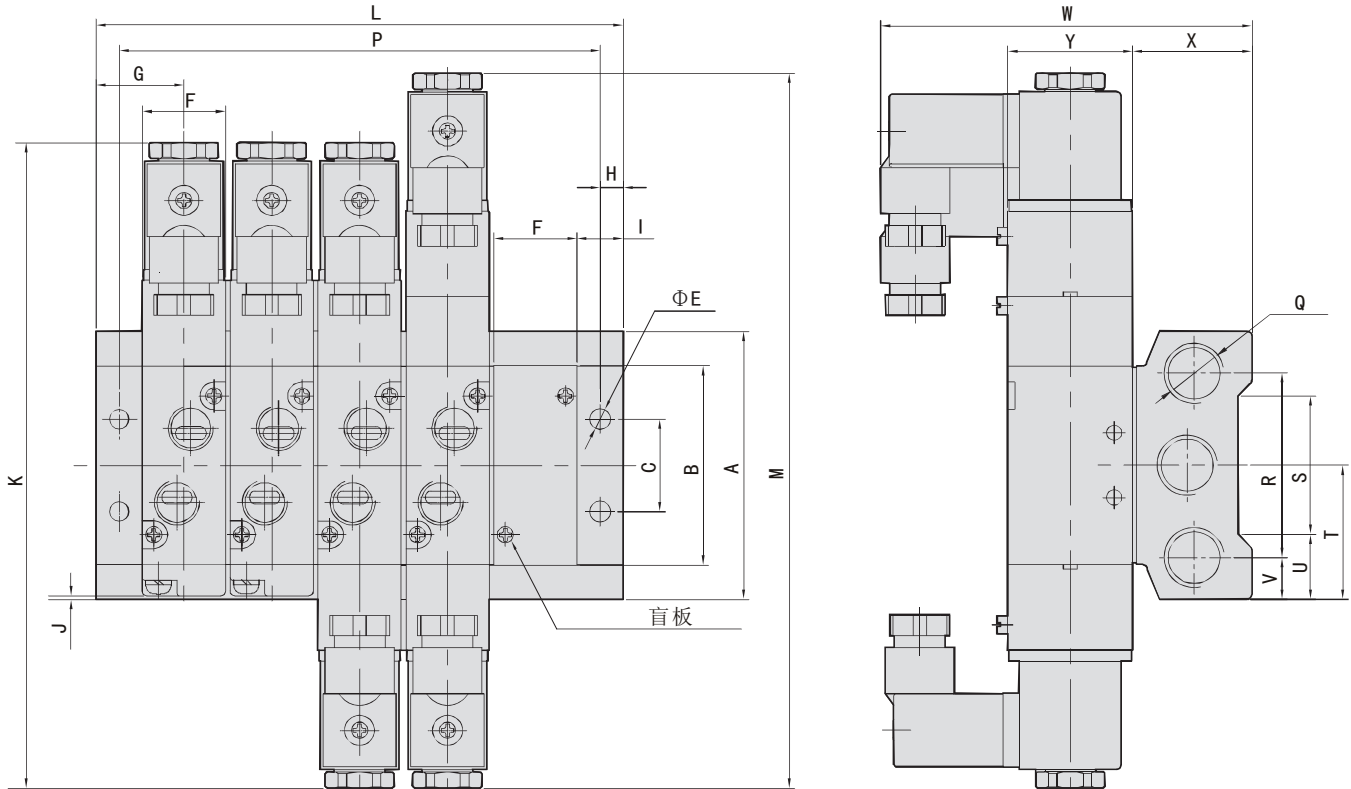
Model	100 Series	200 Series	300 Series	400 Series
Working Medium	Clean air (40µm Filtration)			
Working Pressure	0.15~0.9Mpa			
Max. Pressure	1.5Mpa			
Working Temperature	-20~70°C			
Application Scope	4V100 Series 4A100 Series	4V200 Series 4A200 Series	4V300 Series 4A300 Series	4V400 Series 4A400 Series

### Corresponding Application

Valve Model	4V110/4V120/4V130 4A110/4A120/4A130	4V210/4V220/4V230 4A210/4A220/4A230	4V310/4V320/4V330 4A310/4A320/4A230	4V410/4V220/4V430 4A410/4A420/4A430
Manifold Model	100M-NF(N≤16)	200M-NF(N≤16)	300M-NF(N≤12)	400M-NF(N≤7)

## V Series Manifold

### Main Dimensions



Model	A	B	C	E	F	G	H	I	J	K
100M-□ F	58	43.2	20	4.5	18.3	19	5	10	-0.8	139.4
200M-□ F	61	50.7	21	4.5	22.4	23	6	12	1.2	170
300M-□ F	75	64.8	26	4.5	27.3	27	6	13.5	2.5	188.8
400M-□ F	104	94.5	32	4.5	34.3	31.5	7	14.5	5	221.8

Model	M	Q	R	S	T	U	V	W	X	Y
100M-□ F	154.5	G1/4"	40	30	29	14	9	79	25	27
200M-□ F	189	G1/4"	43	32	30.5	14.5	9	93	26	35
300M-□ F	208	G3/8"	53	48	37.5	13.5	11	99.5	30	40
400M-□ F	243	G1/2"	68	67	52	18.5	18	112.5	38	50

Model	L															
	1F	2F	3F	4F	5F	6F	7F	8F	9F	10F	11F	12F	13F	14F	15F	16F
100M-□ F	38	57	76	95	114	133	152	171	190	209	228	247	266	285	304	323
200M-□ F	46	69	92	115	138	161	184	207	230	253	276	299	322	345	368	391
300M-□ F	54	82	110	138	166	194	222	250	278	306	334	362	-	-	-	-
400M-□ F	63	98	133	168	203	238	273	-	-	-	-	-	-	-	-	-

Model	P															
	1F	2F	3F	4F	5F	6F	7F	8F	9F	10F	11F	12F	13F	14F	15F	16F
100M-□ F	28	47	66	85	104	123	142	161	180	199	218	237	256	275	294	313
200M-□ F	34	57	80	103	126	149	172	195	218	241	264	287	310	333	356	379
300M-□ F	42	70	98	126	154	182	210	238	266	294	322	350	-	-	-	-
400M-□ F	49	84	119	154	189	225	259	-	-	-	-	-	-	-	-	-

## VSV Series Micro Solenoid Valve

### Ordering Code VSV Series Micro Solenoid Valve

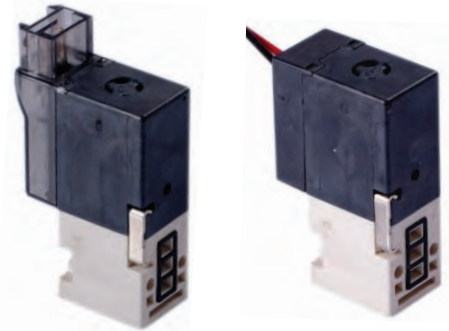
VSV23 - □ 1.0 V DC24V

**Type Code**  
VSV: Micro Solenoid Valve

**Coil Type**  
V: Vertical Type  
H: Horizontal Type  
C: Pin Type

**Control Type**  
Blank: Normal Close  
T: Normal Open

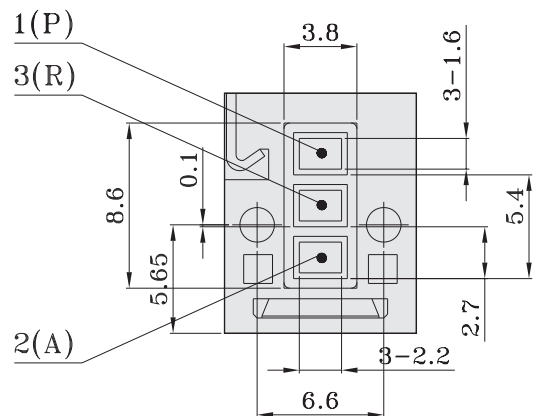
**Standard Voltage**  
DC24V  
AC220V 50/60Hz



### Specifications

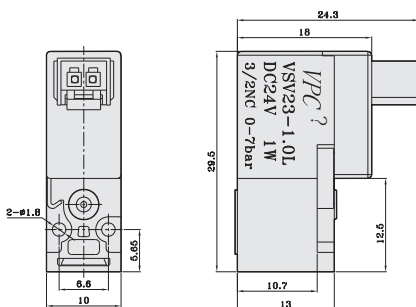
Model	VSV10-V	VSV10-H	VSV10-C
Working Medium	Clean Air (40µm filtration)		
Acting Type	3/2 N. C 3/2N. O		
Working Pressure	0~0.7Mpa		
Ambient Temp.	-5~50°C		
Orifice Size	1.0mm ( R port ) / 0.75mm ( P port )		
Lubrication	No		
Flow rate at 6bar and Δp=1bar	P1→P2 16NL/min P2→P3 23NL/min		
Response time	Less than 10ms		
Nominal voltage	DC24V/AC220v		
Voltage Range	Rated Voltage: ±10%		
Duty cycle	ED 100%		
Max Working Frequency	30HZ		
Insulation Class	H Class		
Degree of protection	IP50		
Life time expectancy	More than 50 millions times		
Coil Type	Vertical Type	Horizontal Type	Pin Type

### Installation Dimensions

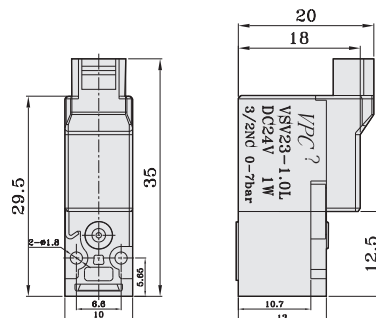


### Main Specification

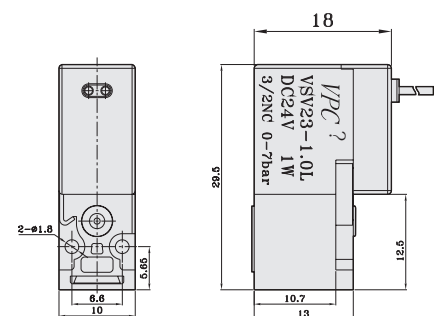
#### Vertical Type



#### Horizontal Type

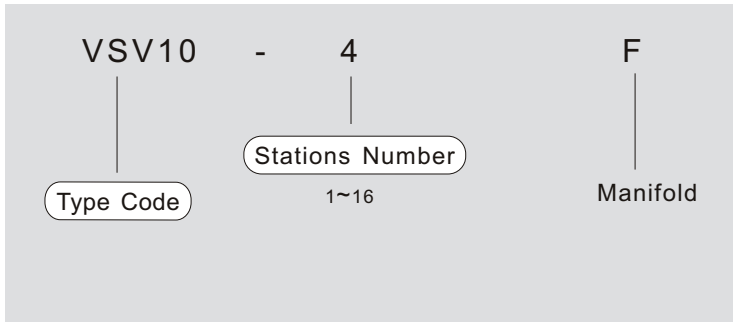


#### Pin Type



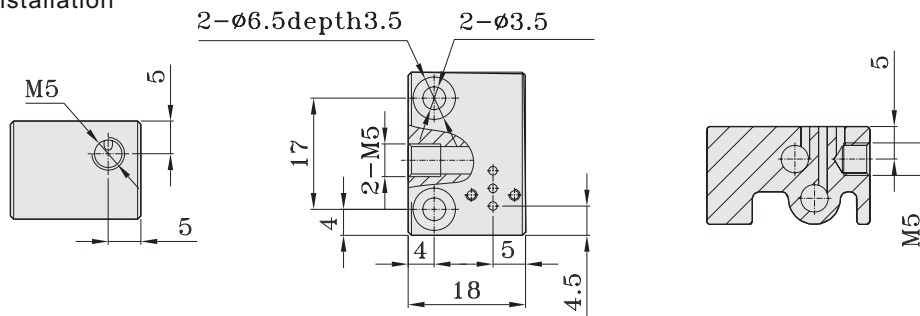
## VSV Series Micro Solenoid Valve Combination

Ordering Code VSV Series Micro Solenoid Valve Combination

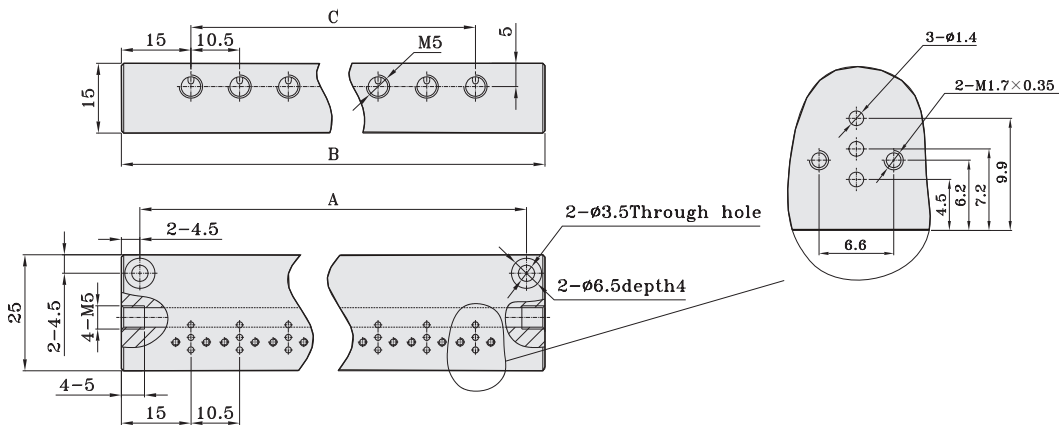


### Main Specification

1 Station Base installation



Multi-Station Base installation



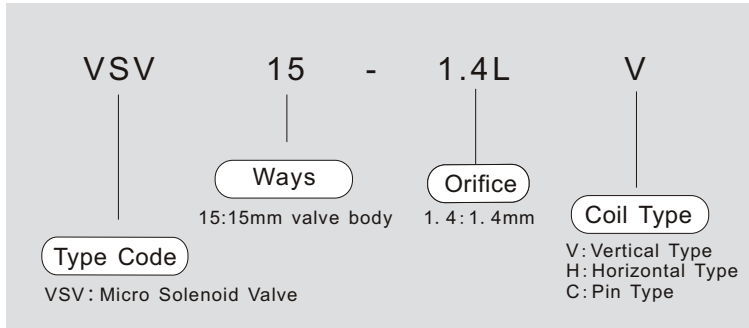
Model	A										
	2F	3F	4F	5F	6F	7F	8F	9F	10F	11F	NF
VSV10-□F	32.5	43	53.5	64	74.5	85	95.5	106	116.5	127	22+ (N-1) x10.5

Model	B										
	2F	3F	4F	5F	6F	7F	8F	9F	10F	11F	NF
VSV10-□F	40.5	51	61.5	72	82.5	93	103.5	114	124.5	135	30+ (N-1) x10.5

Model	C										
	2F	3F	4F	5F	6F	7F	8F	9F	10F	11F	NF
VSV10-□F	32.5	43	53.5	64	74.5	85	95.5	106	116.5	127	(N-1) x10.5

## VSV Series Micro Solenoid Valve

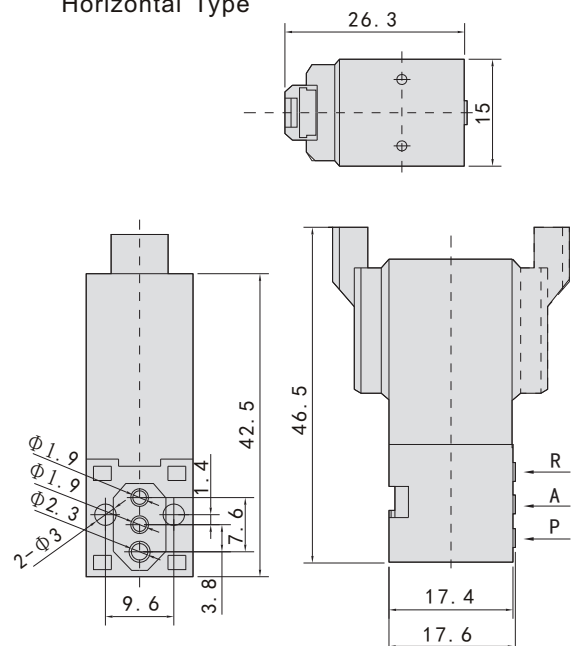
### Ordering Code VSV Series Micro Solenoid Valve



### Specifications

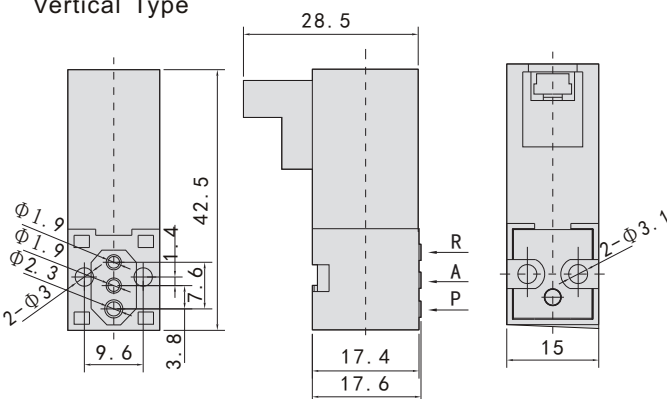
Model	VSV15-1.4LV	VSV15-1.4LH	VSV15-1.4LC
Working Medium	Clean Air(40µm filtration)		
Acting Type	Normal Close Direction Type		
Working Pressure	0~0.7Mpa		
Ambient Temp.	-5~50°C		
Reflect Time	≤20m/s		
Max Working Frequency	20Times/S		
Manual Mode	Button Type		
Lubrication	No		
Heat-resistant Class	F Class		
Protective Class	IP65		
Rated Voltage	DC24V		
Voltage Range	Rated Voltage: ±10%		
Orifice	1.4mm		
Power	2.3W(With LED)		
Coil Type	Vertical Type	Horizontal Type	Pin Type

Horizontal Type

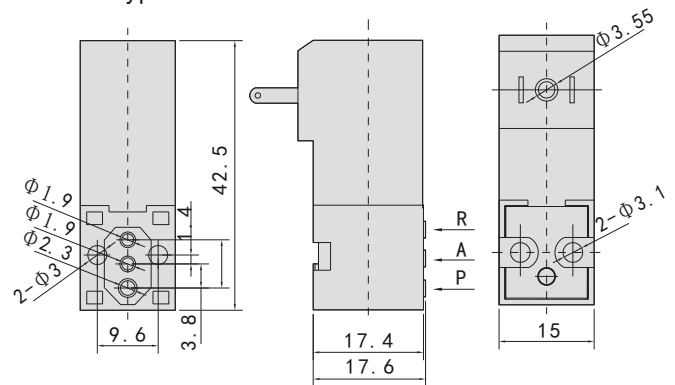


### Main Specification

Vertical Type

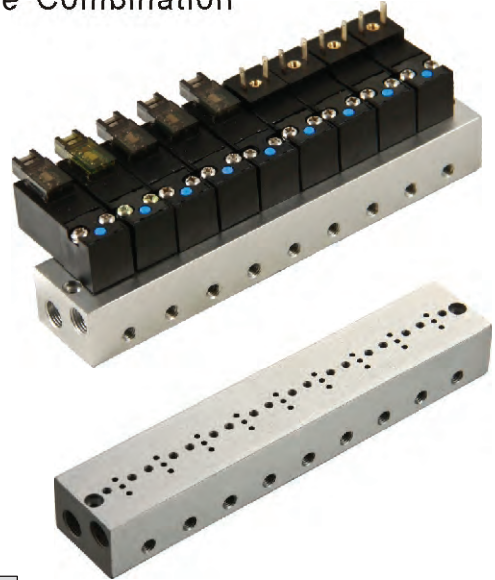
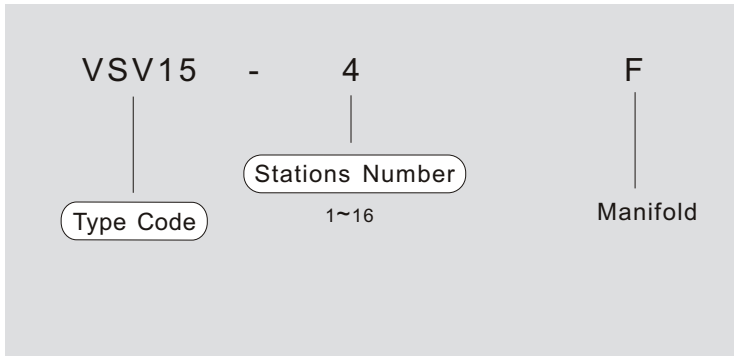


Pin Type

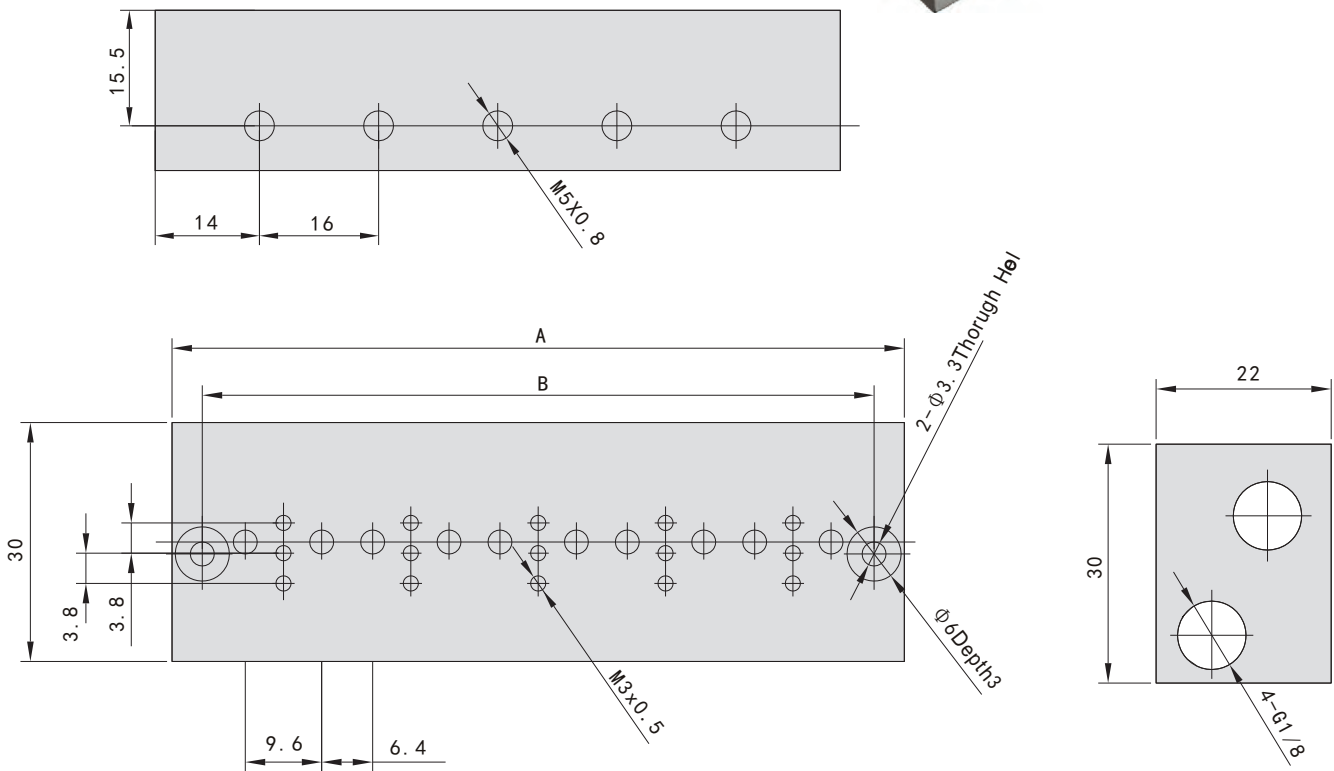


## VSV Series Micro Solenoid Valve Combination

Ordering Code VSV Series Micro Solenoid Valve Combination



### Main Specification

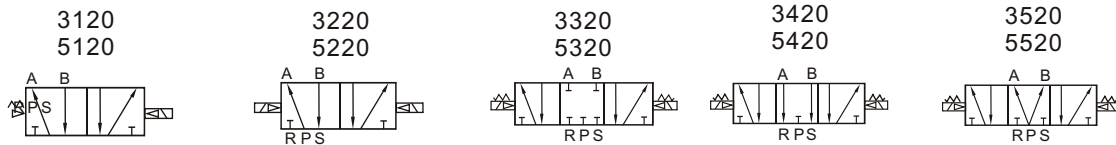


Model	A									
	1F	2F	3F	4F	5F	6F	7F	8F	9F	10F
VSV15-□F	28	44	60	76	92	108	124	140	156	172

Model	B									
	1F	2F	3F	4F	5F	6F	7F	8F	9F	10F
VSV15-□F	21	37	53	69	85	101	117	133	149	165



## SY Series Solenoid Valve



### Ordering Code

S Y 3	1	2 0	□	-	M 5	-	D C 2 4 V
Type Code	Series Code		Coil		Joint Size		Standard Voltage
SY3:SY3 series SY5:SY5 series SY7:SY7 series SY9:SY9 series	1:Single control 2:Double control 3:Double control 3Position Center Close 4:Double control 3Position Center Exhaust 5:Double control 3Position Center Pressure		L: Vertical Type M: Horizontal Type G: Pin Type		M5: M5X0.8 01: 1/8"		DC24V AC220V 50/60Hz

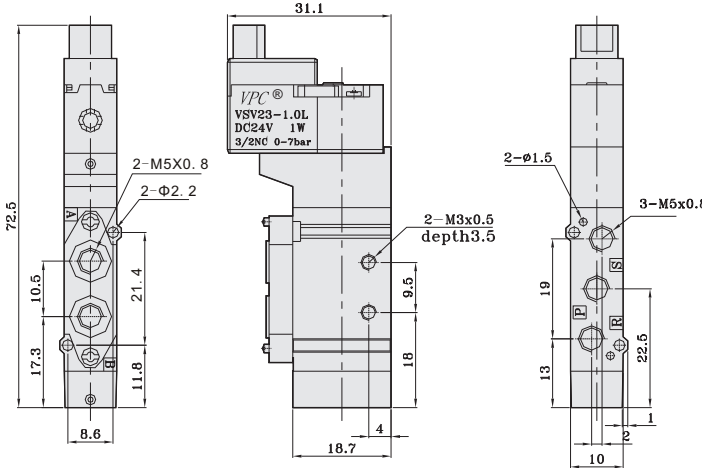
### Specifications

Model	SY3120	SY3220	SY3320	SY5120	SY5220	SY5320
			SY3420			SY5420
Working Medium	Clean air (40µm Filtration)					
Working Pressure	0.15~0.7Mpa	0.1~0.7Mpa	0.2~0.7Mpa	0.15~0.7Mpa	0.1~0.7Mpa	0.2~0.7Mpa
Working Temperature	-10~60°C					
Max operating frequency	10Hz	10Hz	3Hz	5Hz	5Hz	3Hz
Response time	<12ms	<12ms	<15ms	<19ms	<19ms	<32ms
Exhaust Way	Centralized exhaust					
Lubrication	Not necessary					
Installation type	Free					
Impact Resistance Vibration Resistance	150/30m/s <sup>2</sup>					
Protective Class	Ip65					
Joint Size	M5			1/8"		

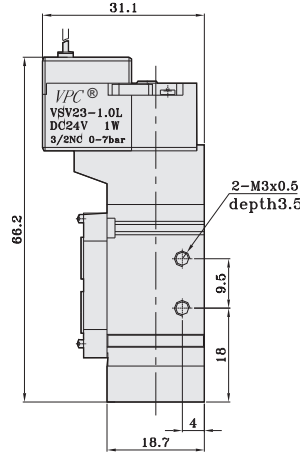
## SY Series Solenoid Valve

### Main Dimensions

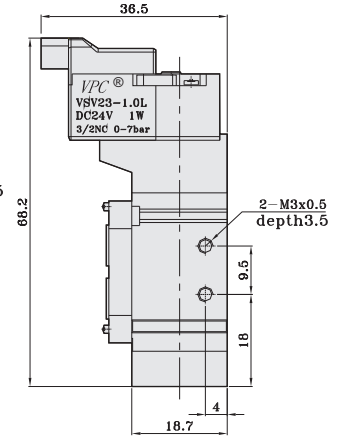
SY3120-L



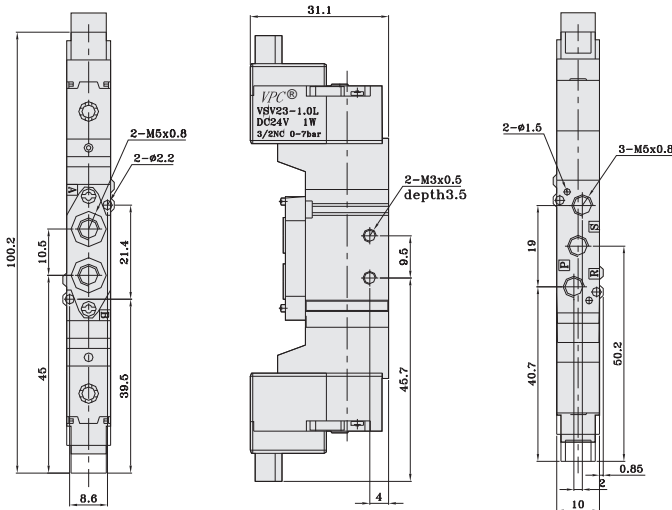
SY3120-G



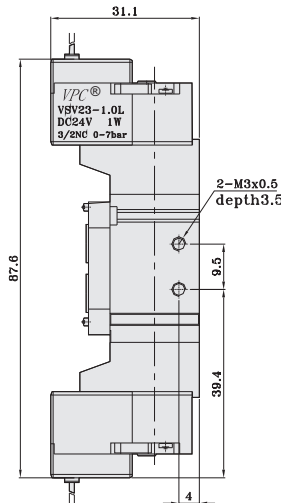
SY3120-M



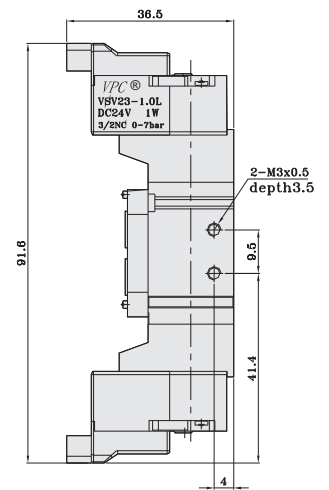
SY3220-L



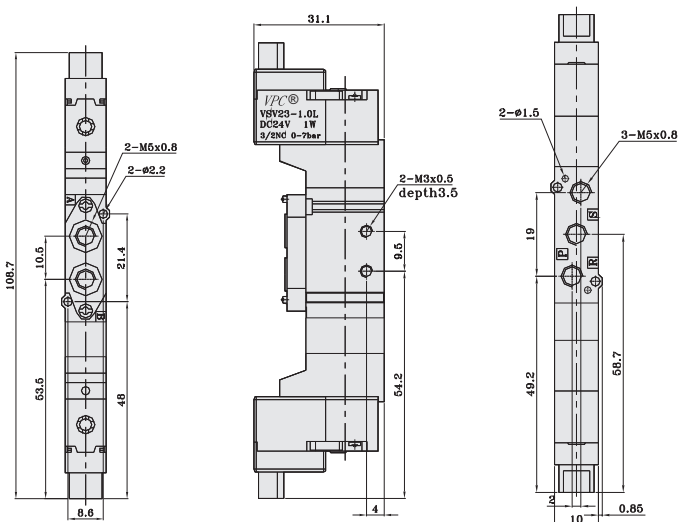
SY3220-G



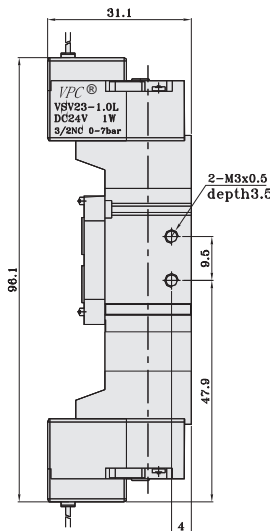
SY3220-M



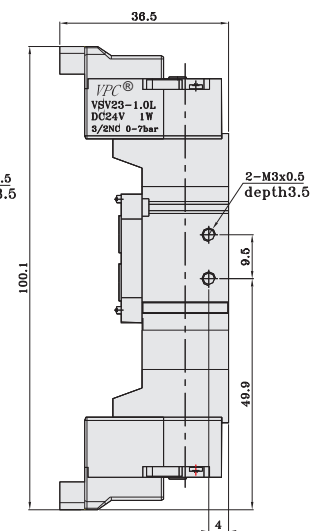
3  
SY3420-L  
5



3  
SY3420-G  
5



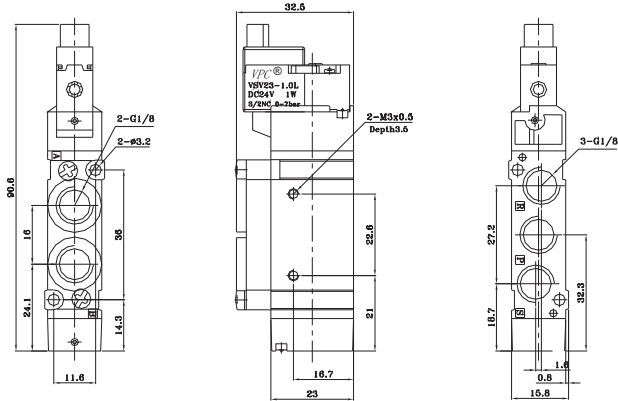
3  
SY3420-M  
5



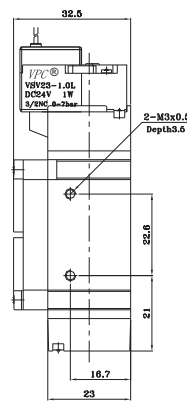
# SY Series Solenoid Valve

## Main Dimensions

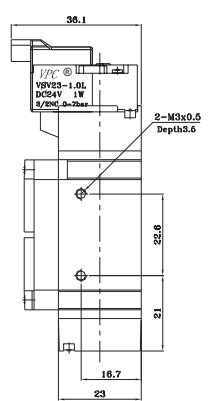
SY5120-L



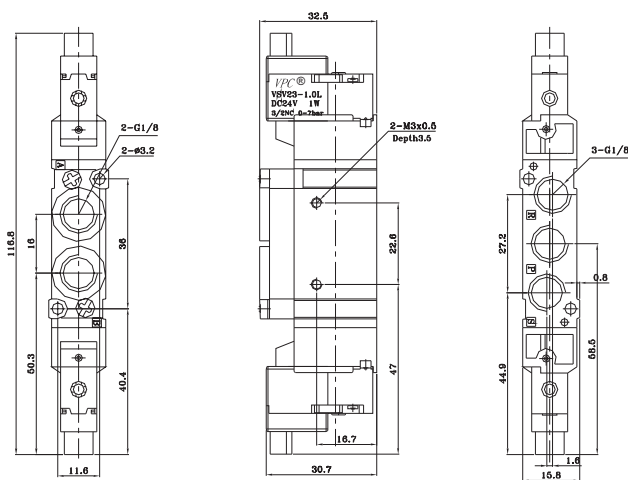
SY5120-G



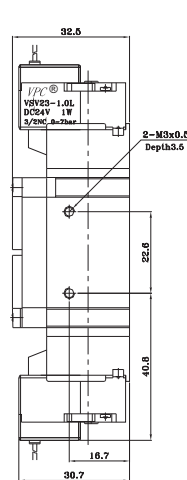
SY5120-M



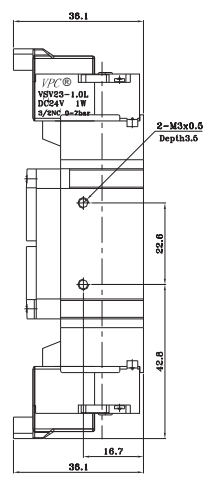
SY5220-L



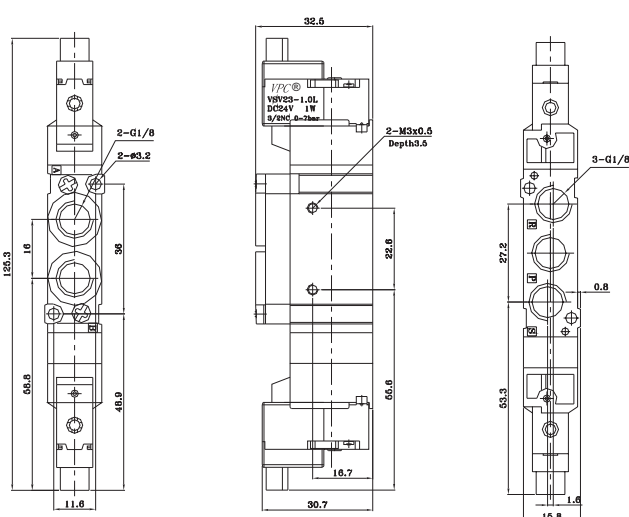
SY5220-G



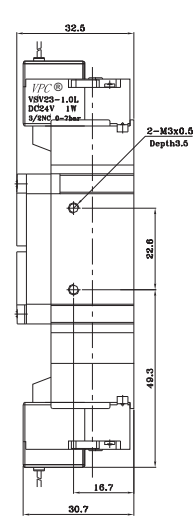
SY5220-M



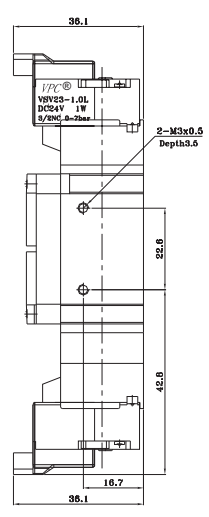
3  
SY5420-L  
5



3  
SY5420-G  
5

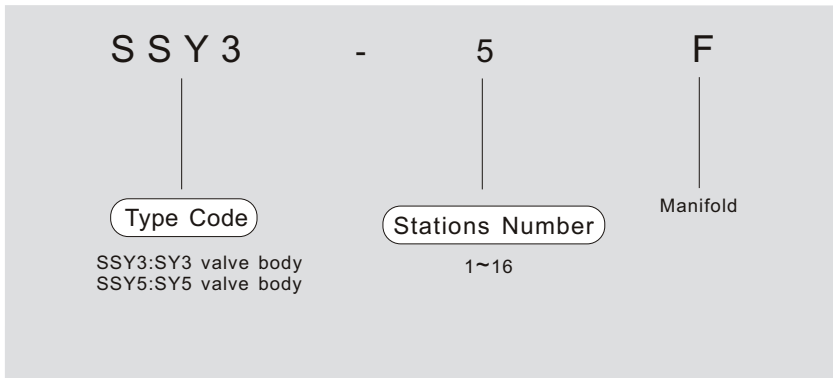


3  
SY5420-M  
5

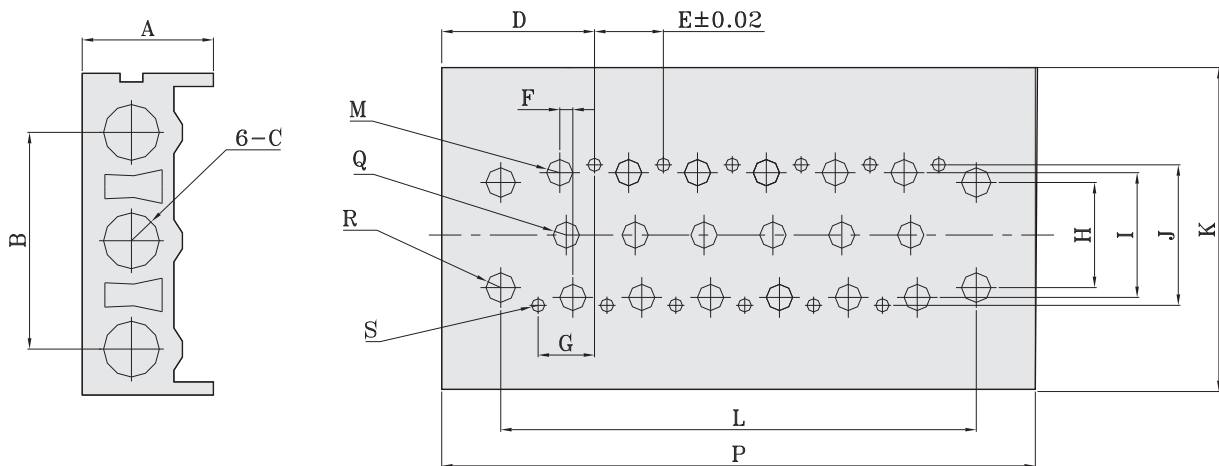


## SY Series Manifold

### Ordering Code SY Series Manifold



### Main Dimensions



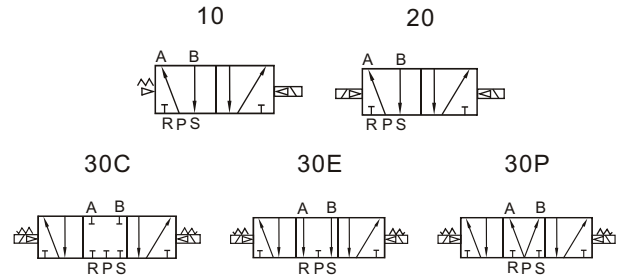
Model	A	B	C	E	F	G	H	I	J	K
SSY3-□ F	20	33	RC1/8"	23.3	10.5	8.6	16	19	21.4	49
SSY5-□ F	26.5	42	RC1/4"	22.8	16	11.6	20	29.4	36	60

Model	M	Q	R	S
SSY3-□ F	2-Φ4.5 through hole	Φ4.5 through hole	4-Φ4.5 through hole	M2x0.4 depth 4.5
SSY5-□ F	2-Φ6 depth 15	Φ6 depth 10	4-Φ4.5 through hole	M3x0.5 depth 6.5

Model	L															
	1F	2F	3F	4F	5F	6F	7F	8F	9F	10F	11F	12F	13F	14F	15F	16F
SSY3-□ F	20	30.5	41	51.5	62	72.5	83	93.5	104	114.5	125	135.5	146	156.5	167	177.5
SSY5-□ F	24	40	56	72	88	104	120	136	152	168	184	200	216	232	248	264

Model	P															
	1F	2F	3F	4F	5F	6F	7F	8F	9F	10F	11F	12F	13F	14F	15F	16F
SSY3-□ F	38	48.5	59	69.5	80	90.5	101	111.5	122	132.5	143	153.5	164	174.5	185	195.5
SSY5-□ F	34	50	66	82	98	114	130	146	162	178	194	210	226	242	258	274

## VF Series Solenoid Valve



### Ordering Code VF Series Solenoid Valve

VF 3	1	20	□	-	02	-	AC 220 V
Type Code	Coil		Coil Type		Joint Size		Standard Voltage
3:VF3000 5:VF5000	1:Single control 2:Double control 3:Double control 3Position Center Close 4:Double control 3Position Center Exhaust 5:Double control 3Position Center Pressure		G: Flying leads coil 300mm H: Flying leads coil 600mm E: DIN coil T: DIN connector with LED		02:1/4" 03:3/8"		DC12V DC24V AC110V 50/60Hz AC220V 50/60Hz

### Product features:

VF Series directional 5/2 way valve include pilot valve and air valve, the valve body from 1/4" to 3/8" with both flying leads type and DIN type coil, Installed on suitable manifold, many valves can working together.

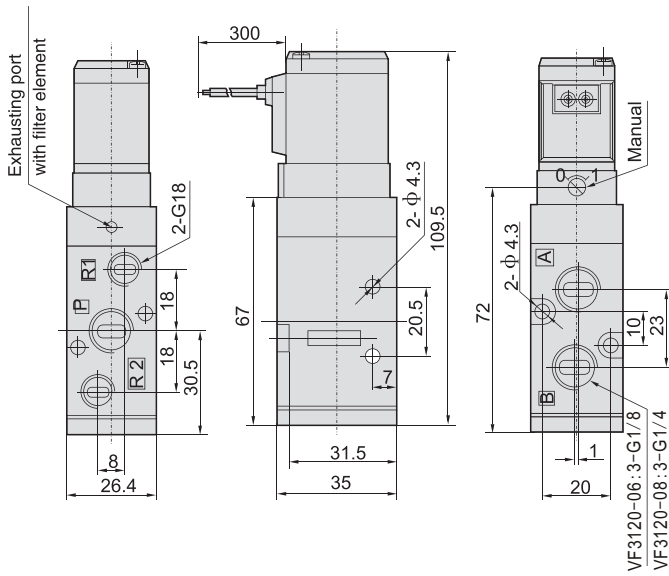
### Specifications

Working Medium	Clean air (40µm Filtration)
Acting type	Pilot type
Sectional area	17.1mm <sup>2</sup>
Working Pressure	0.15~0.8Mpa
Guaranteed. pressure	1.2Mpa
Working Temperature	-10~60°C
Voltage Range	-15%~10%
Standard voltage	AC: 110V, 220V, DC: 12V, 24V
Insulation	Class F
Protective Class	IP65
Max. acting frequency	5 cycles/s
Activate time	<0.05
Seal	Anti-dust
Manual operation	Screwdriver locked type

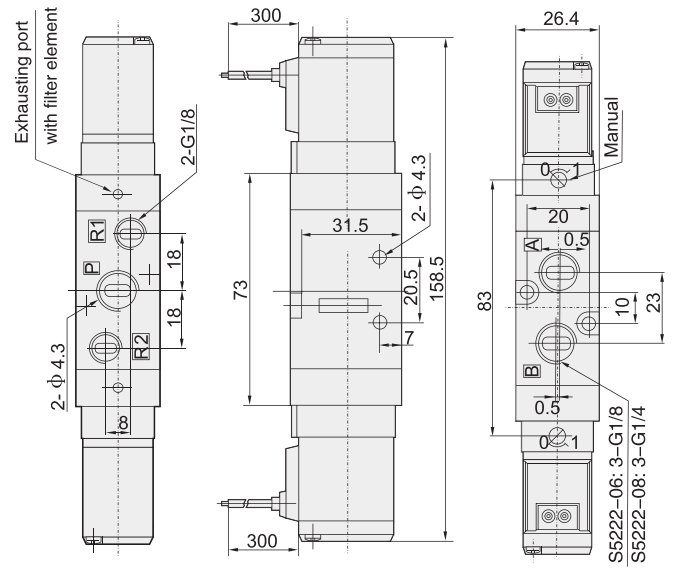
## VF Series Solenoid Valve

### Main Dimensions

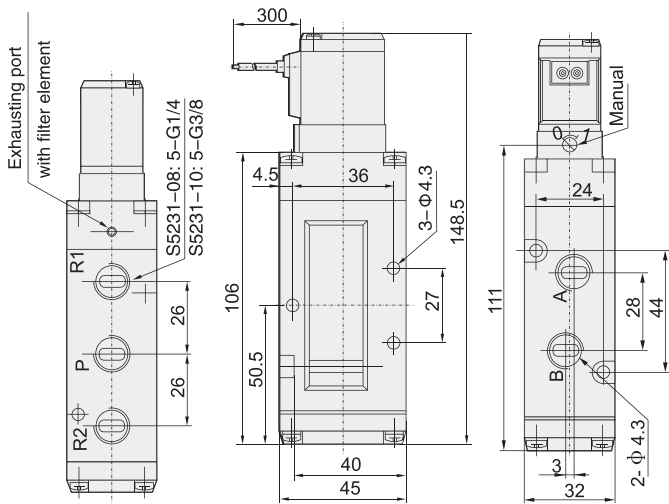
VF3120-08



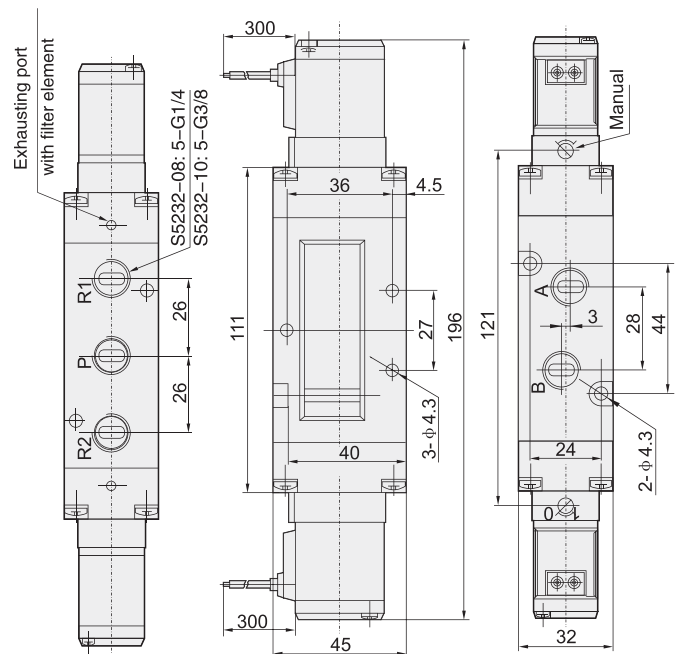
VF3220-08



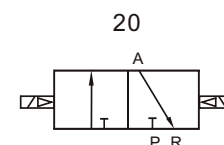
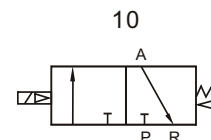
VF5120-10



VF5220-10



## 3M Series Solenoid Valve



Ordering Code 3M Series Solenoid Valve (2 Position 3 Port)

3 M	2	1 0	-	0 8	-	□	-	A C 2 2 0 V
Type Code	Series Code	Coil		Joint Size		Coil Type		Standard Voltage
3M: 3Port, 2Position	1:100 Series 2:200 Series 3:300 Series 4:400 Series	10:Single control 20:Double control		M5:M5 06:G1/8" 08:G1/4" 10:G3/8" 15:G1/2"		Blank: Din type I: Fly leads		DC12V DC24V AC24V 50/60Hz AC110V 50/60Hz AC220V 50/60Hz AC380V 50/60Hz

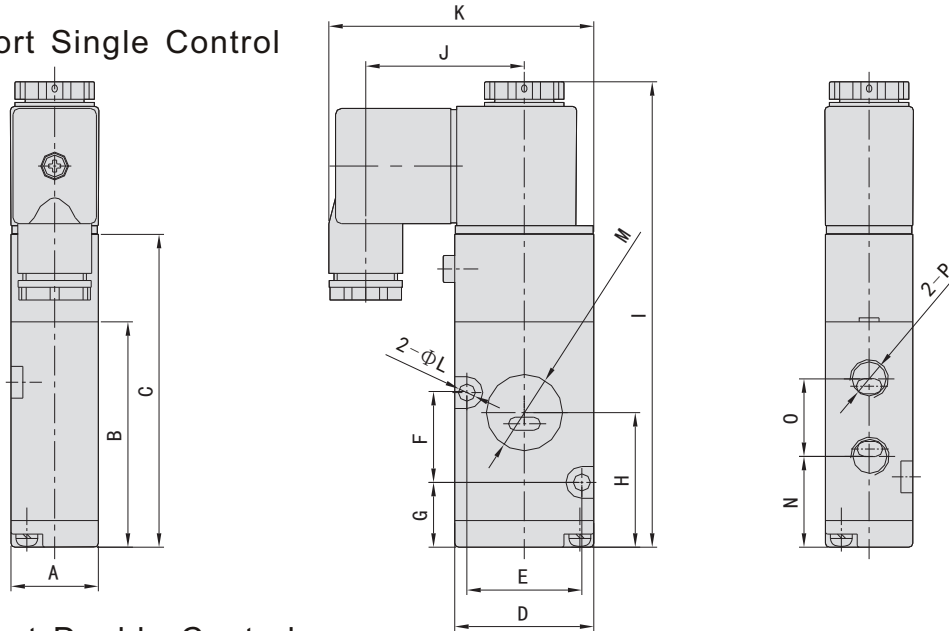
## Specifications

Model	3M110-M5	3M110-06	3M210-06	3M210-08	3M310-08	3M310-10	3M410-10	3M410-15
	3M120-M5	3M120-06	3M220-06	3M220-08	3M320-08	3M320-10	3M420-10	3M420-15
Working Medium	Clean air (40µm Filtration)							
Acting Type	Internal Guide							
Joint Size	Import=M5 Export=M5	Import=1/8 Export=1/8	Import=1/8 Export=1/8	Import=1/4 Export=1/4	Import=1/4 Export=1/4	Import=3/8 Export=3/8	Import=3/8 Export=3/8	Import=1/2 Export=1/2
Sectional Area	5.5mm <sup>2</sup> (CV=0.31)	12mm <sup>2</sup> (CV=0.67)	14mm <sup>2</sup> (CV=0.78)	16mm <sup>2</sup> (CV=0.89)	25mm <sup>2</sup> (CV=1.4)	30mm <sup>2</sup> (CV=1.68)	30mm <sup>2</sup> (CV=1.68)	50mm <sup>2</sup> (CV=2.79)
Working Pressure	0.15~0.9Mpa							
Max. Pressure	1.2Mpa							
Working Temperature	-5~60°C							
Voltage Range	-15%~10%							
Heat Resistant Grade	B							
Protective Class	IP65(DIN40050)							
Coil Type	Din type, Flying leads							
Max. Acting Frequency	4Times/S							

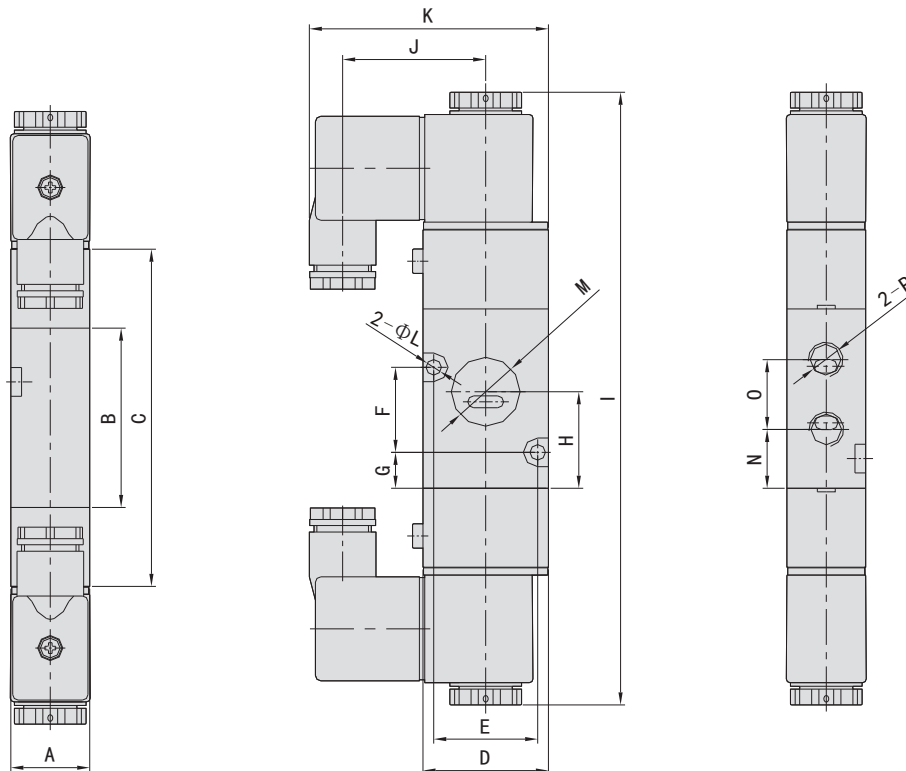
### 3M Series Solenoid Valve

#### Main Dimensions

#### 2 Position 3 Port Single Control



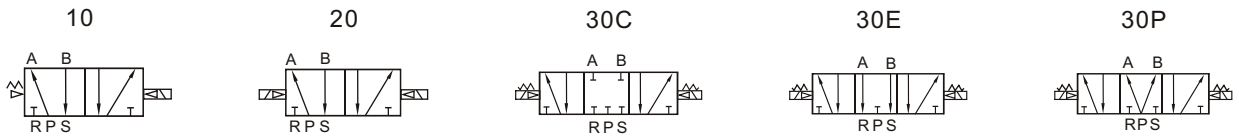
#### 2 Position 3 Port Double Control



Model	Sign	A	B	C	D	E	F	G	H	I	J	K	L	M	N	O	P
3M110-06		18	38	65	27	22	14	12.5	26.5	92	32.5	54	Φ3.3	Φ13.6Depth1.5	19.5	14	G1/8"
3M120-06		18	38	79	27	22	14	6	20	133	32.5	54	Φ3.3	Φ13.6Depth1.5	13	14	G1/8"
3M210-08		22	45	75.5	35	29	20	12	27.5	112	40.5	67.5	Φ4.3	Φ17.6Depth1.5	22	18	G1/4"
3M220-08		22	45	93	35	29	20	5.5	21	166	40.5	67.5	Φ4.3	Φ17.6Depth1.5	15.5	18	G1/4"
3M310-10		27	60	93.5	40	32	24	14	38	130	40.5	70	Φ5.2	Φ19.5Depth1.5	26.8	21.5	G3/8"
3M320-10		27	60	112	40	32	24	-	30.5	185	40.5	70	Φ5.2	Φ19.5Depth1.5	19.3	21.5	G3/8"
3M410-15		34	70	105	50	41	33	-	-	141	-	74.2	Φ6	Φ21.8Depth1.8	29.5	29.5	G1/2"
3M420-15		34	70	105	50	41	33	7.5	-	197	-	74.2	Φ6	Φ21.8Depth1.8	22	29.5	G1/2"



## 4M Series Solenoid Valve



### Ordering Code 4M Series Solenoid Valve (2 Position 5 Port)

4 M	2	1 0	-	0 8	-	□	-	A C 2 2 0 V
Type Code	Series Code	Coil		Joint Size		Coil Type		Standard Voltage
4M: 5Port, 2Position	1:100 Series 2:200 Series 3:300 Series 4:400 Series	10:Single control 20:Double control 30C:Double control 3Position Center Close 30E: Double control 3Position Center Exhaust 30P: Double control 3Position Center Pressure		M5:M5 06:G1/8" 08:G1/4" 10:G3/8" 15:G1/2"		Blank: Din type I: Fly leads		DC12V DC24V AC24V 50/60Hz AC110V 50/60Hz AC220V 50/60Hz AC380V 50/60Hz

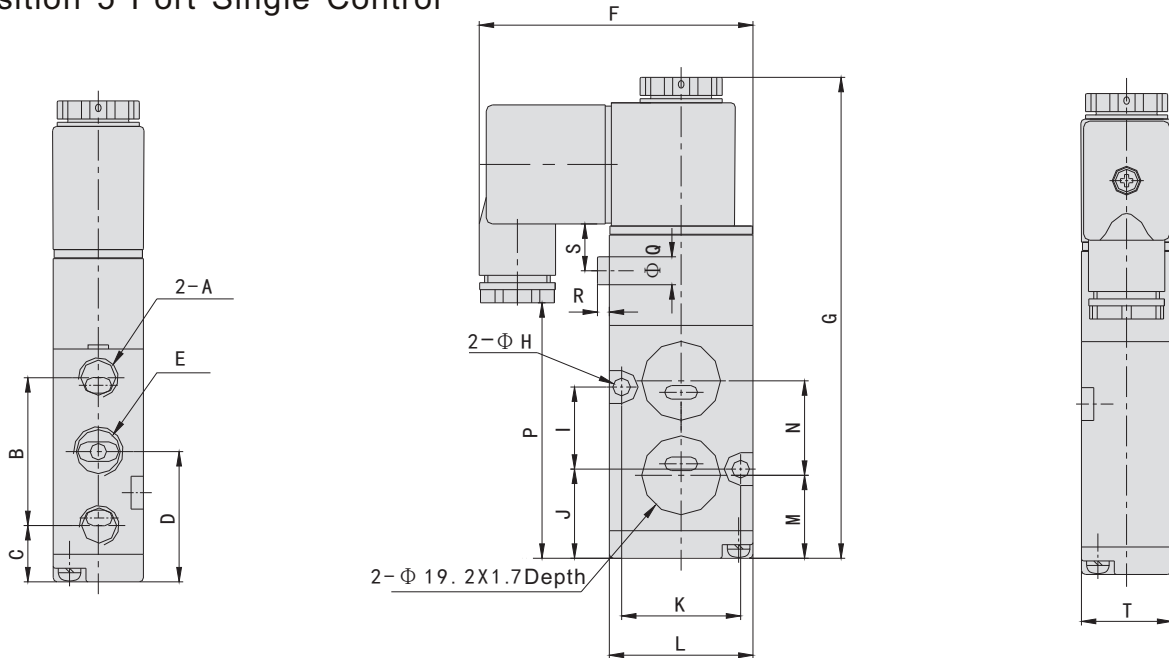
### Specifications

Model	4M110-M5	4M110-06	4M210-06	4M210-08	4M310-08	4M310-10	4M410-10	4M410-15
	4M120-M5	4M120-06	4M220-06	4M220-08	4M320-08	4M320-10	4M420-10	4M420-15
Working Medium	Clean air (40µm Filtration)							
Acting Type	Internal Guide							
Joint Size	Import=M5 Export=M5	Import=1/8 Export=1/8	Import=1/8 Export=1/8	Import=1/4 Export=1/8	Import=1/4 Export=1/4	Import=1/4 Export=3/8	Import=3/8 Export=3/8	Import=1/2 Export=1/2
Sectional Area	5. 5mm <sup>2</sup> (CV=0.31)	12mm <sup>2</sup> (CV=0.67)	14mm <sup>2</sup> (CV=0.78)	16mm <sup>2</sup> (CV=0.89)	25mm <sup>2</sup> (CV=1. 4)	30mm <sup>2</sup> (CV=1.68)	30mm <sup>2</sup> (CV=1.68)	50mm <sup>2</sup> (CV=2.79)
Working Pressure	0.15~0.9Mpa							
Max. Pressure	1.2Mpa							
Working Temperature	-5~60°C							
Voltage Range	-15%~10%							
Heat Resistant Grade	B							
Protective Class	IP65(DIN40050)							
Coil Type	Din type, Flying leads							
Max. Acting Frequency	4Times/S							

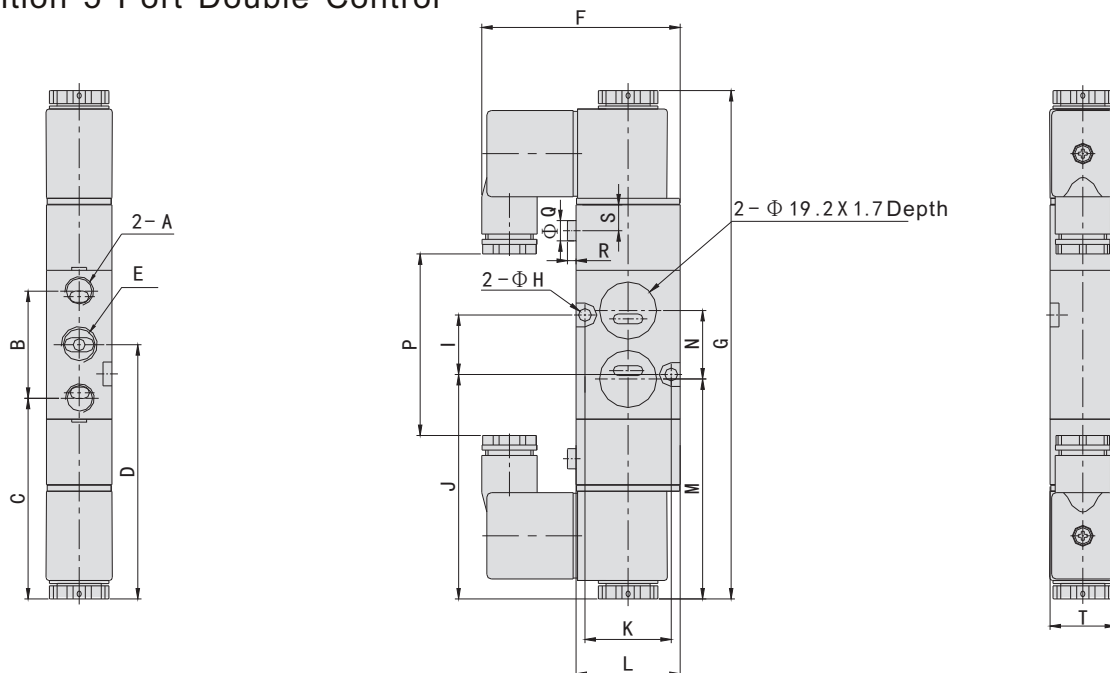
## 4M Series Solenoid Valve

### Main Dimensions

#### 2 Position 5 Port Single Control



#### 2 Position 5 Port Double Control



Model	Sign	A	B	C	D	E	F	G	H	I	J	K	L	M	N	P	Q	R	S	T
4M110-06	G1/8	30	15.2	30.2	G1/8	55.0	103.4	3.3	16	27.2	21	27	-	16	-	-	-	-	-	-
4M120-06	G1/8	30	58.2	73.2	G1/8	55.0	146.4	3.3	16	65.0	21	27	-	16	-	-	-	-	-	-
4M210-08	G1/8	36	13.7	31.7	G1/4	66.5	119.0	4.3	20	21.7	29	35	20.2	23	62.4	4	1	11	22	
4M220-08	G1/8	36	67.0	85.0	G1/4	66.5	176.0	4.3	20	75.0	29	35	73.5	23	62.4	4	1	11	22	
4M310-10	G1/4	45	17.0	39.5	G3/8	69.0	138.0	5.2	24	27.5	32	40	29.0	22	80.2	4	1	11	27	
4M320-10	G1/4	45	72.0	94.5	G3/8	69.0	195.0	5.2	24	83.7	32	40	82.5	22	80.2	4	1	11	27	
4M410-15	G1/2	63	22.5	52.0	G1/2	75.0	166.0	5.5	32	38.0	42	50	35.5	37	110	4	1	11	34	
4M420-15	G1/2	63	77.0	112.5	G1/2	75.0	225.0	5.5	32	94.5	42	50	92.0	37	112	4	1	11	34	

## 3A Series Air Control Valve



### Product features:

- \* Stable life cycle, guaranteed 10,000,000 times;
- \* Various voltage and working style are available;
- \* Different surface treatment, thread types (G, NPT, PT, BSPP, BSPT) are available.

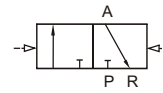
10-NC



10-NO



20



## Ordering Code 3A Series Air Control Valve (2 Position 3 Port)

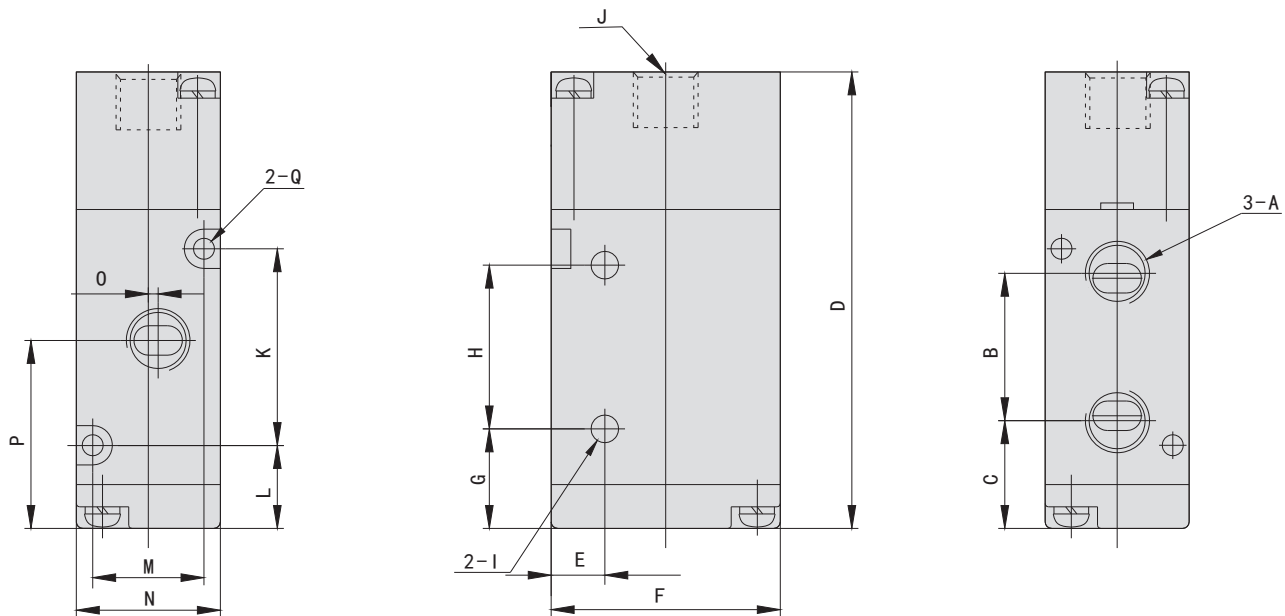
<p><b>3 A</b></p> <p>— —</p> <p><b>Type Code</b></p> <p>3A: 3Port, 2Position</p>	<p><b>2</b></p> <p>— —</p> <p><b>Series Code</b></p> <p>1:100 Series 2:200 Series 3:300 Series 4:400 Series</p>	<p><b>10</b></p> <p>— —</p> <p><b>Ways</b></p> <p>10:Single control 20:Double control</p>	<p><b>- 08 -</b></p> <p>— —</p> <p><b>Joint Size</b></p> <p>M5:M5 06:G1/8" 08:G1/4" 10:G3/8" 15:G1/2"</p>	<p><b>- NO</b></p> <p>— —</p> <p><b>Control Type</b></p> <p>Blank: Normal Close NO: Normal Open</p>
--	---	---	---	---

## 3A Series Air Control Valve

### Specifications 3A Series Air Control Valve (2 Position 3 Port Single Control)

Model	3A110-M5	3A110-06	3A210-06	3A210-08	3A310-08	3A310-10	3A410-10	3A410-15
Working Medium	Clean air (40µm Filtration)							
Acting Type	Internal Guide							
Joint Size	Import=M5 Export=M5	Import=1/8 Export=1/8	Import=1/8 Export=1/8	Import=1/4 Export=1/4	Import=1/4 Export=1/4	Import=3/8 Export=3/8	Import=3/8 Export=3/8	Import=1/2 Export=1/2
Sectional Area	5.5mm <sup>2</sup> (CV=0.31)	12mm <sup>2</sup> (CV=0.67)	14mm <sup>2</sup> (CV=0.78)	16mm <sup>2</sup> (CV=0.89)	25mm <sup>2</sup> (CV=1.4)	30mm <sup>2</sup> (CV=1.68)	30mm <sup>2</sup> (CV=1.68)	50mm <sup>2</sup> (CV=2.79)
Working Pressure	0.15~0.8Mpa							
Max. Pressure	1.2Mpa							
Working Temperature	-5~60°C							
Ways	2 Position 3 Port							
Body Material	Aluminum							
Lubrication	No							
Max. Acting Frequency	5Times/S				4Times/S		3Times/S	

### Main Dimensions



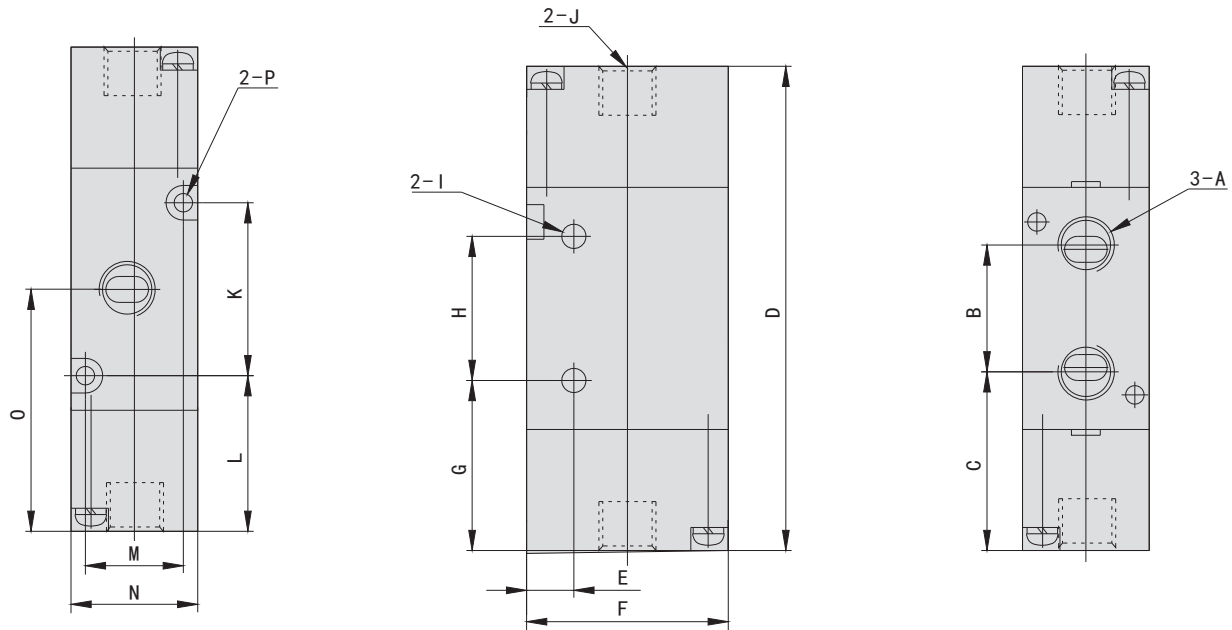
Model	Sign	A	B	C	D	E	F	G	H	I	J	K	L	M	N	O	P	Q
3A110-M5	M5x0.8	16	14	56.5	7.7	27	11.5	21	3.3	1/8	19	12.5	13	18	1	23	3.3	
3A110-06	1/8"	16	14	56.5	7.7	27	11.5	21	3.3	1/8	19	12.5	13	18	1	23	3.3	
3A210-06	1/8"	22.5	16	70	8	35	15	25	4.3	1/8	30	12.5	17	22	0	27.5	3.2	
3A210-08	1/4"	22.5	16	70	8	35	15	25	4.3	1/8	30	12.5	17	22	0	27.5	3.2	
3A310-08	1/4"	24	20.5	80.5	10.5	40	17.5	30	4.3	1/8	35	15	20	27	0	32.5	4.3	
3A310-10	3/8"	24	20.5	80.5	10.5	40	17.5	30	4.3	1/8	35	15	20	27	0	32.5	4.3	
3A410-10	3/8"	36	19.5	100.5	13.5	50	20	48	4.3	1/8	48	13.5	27	34	2	42.5	4.3	
3A410-15	1/2"	36	19.5	100.5	13.5	50	20	48	4.3	1/8	48	13.5	27	34	2	42.5	4.3	

## 3A Series Air Control Valve

### Specifications 3A Series Air Control Valve (2 Position 3 Port Double Control)

Model	3A120-M5	3A120-06	3A220-06	3A220-08	3A320-08	3A320-10	3A420-10	3A420-15
Working Medium	Clean air (40µm Filtration)							
Acting Type	Internal Guide							
Joint Size	Import=M5 Export=M5	Import=1/8 Export=1/8	Import=1/8 Export=1/8	Import=1/4 Export=1/4	Import=1/4 Export=1/4	Import=3/8 Export=3/8	Import=3/8 Export=3/8	Import=1/2 Export=1/2
Sectional Area	5.5mm <sup>2</sup> (CV=0.31)	12mm <sup>2</sup> (CV=0.67)	14mm <sup>2</sup> (CV=0.78)	16mm <sup>2</sup> (CV=0.89)	25mm <sup>2</sup> (CV=1.4)	30mm <sup>2</sup> (CV=1.68)	30mm <sup>2</sup> (CV=1.68)	50mm <sup>2</sup> (CV=2.79)
Working Pressure	0.15~0.8Mpa							
Max. Pressure	1.2Mpa							
Working Temperature	-5~60°C							
Ways	2 Position 3 Port							
Body Material	Aluminum							
Lubrication	No							
Max. Acting Frequency	5Times/S				4Times/S		3Times/S	

### Main Dimensions



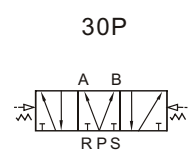
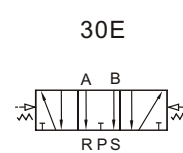
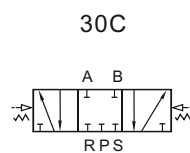
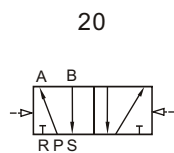
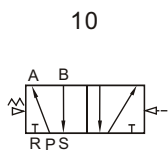
Model	Sign	A	B	C	D	E	F	G	H	I	J	K	L	M	N	O	P
3A120-M5	M5x0.8	16	26.5	69	7.7	27	24	21	3.3	1/8	19	25	13	18	34.5	3.3	
3A120-06	1/8"	16	26.5	69	7.7	27	24	21	3.3	1/8	19	25	13	18	34.5	3.3	
3A220-06	1/8"	22.5	30.75	84	8	35	29.5	25	4.3	1/8	30	27	17	22	42	3.2	
3A220-08	1/4"	22.5	30.75	84	8	35	29.5	25	4.3	1/8	30	27	17	22	42	3.2	
3A320-08	1/4"	24	36	96	10.5	40	33	30	4.3	1/8	35	30.5	20	27	48	4.3	
3A320-10	3/8"	24	36	96	10.5	40	33	30	4.3	1/8	35	30.5	20	27	48	4.3	
3A420-10	3/8"	36	40	116	13.5	50	33	48	4.3	1/8	48	34	27	34	58	4.3	
3A420-15	1/2"	36	40	116	13.5	50	33	48	4.3	1/8	48	34	27	34	58	4.3	

## 4A Series Air Control Valve



### Product features:

- \* Stable life cycle, guaranteed 10, 000, 0000 times;
- \* Various voltage and working style are available;
- \* Different surface treatment, thread types (G, NPT, PT, BSPP, BSPT) are available.



## Ordering Code 4A Series Air Control Valve

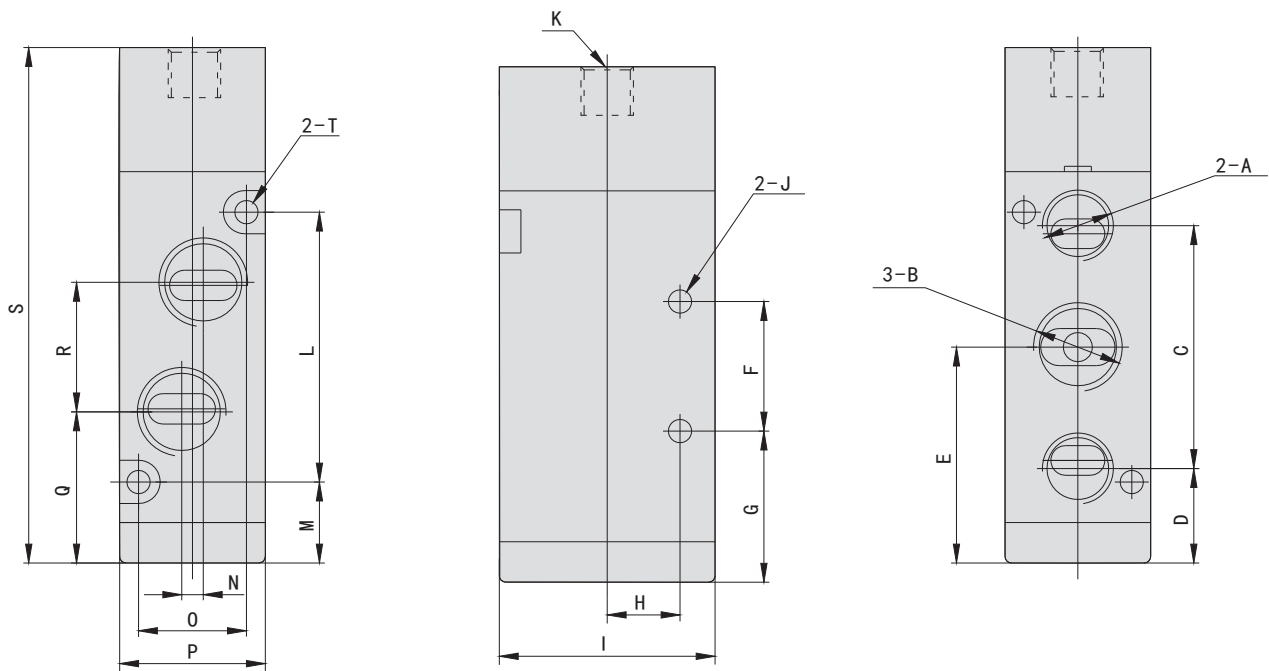
<p><b>4 A</b></p> <p>— </p> <p><b>Type Code</b></p> <p>4A: 5Port, 2Position</p>	<p><b>2</b></p> <p>— </p> <p><b>Series Code</b></p> <p>1:100 Series 2:200 Series 3:300 Series 4:400 Series</p>	<p><b>1 0</b></p> <p>— </p> <p><b>Ways</b></p> <p>10:Single control 20:Double control 30C:Double control 3Position Center Close 30E:Double control 3Position Center Exhaust 30P:Double control 3Position Center Pressure</p>	<p><b>-</b></p> <p>— </p> <p><b>Joint Size</b></p> <p>M5:M5 06:G1/8" 08:G1/4" 10:G3/8" 15:G1/2"</p>
---	--	--	---

## 4A Series Air Control Valve

### Specifications 4A Series Air Control Valve (2 Position 5 Port Single Control)

Model	4A110-M5	4A110-06	4A210-06	4A210-08	4A310-08	4A310-10	4A410-10	4A410-15
Working Medium	Clean air (40µm Filtration)							
Acting Type	Internal Guide							
Joint Size	Import=M5 Export=M5 Exhaust=M5	Import=1/8 Export=1/8 Exhaust=1/8	Import=1/8 Export=1/8 Exhaust=1/8	Import=1/4 Export=1/4 Exhaust=1/8	Import=1/4 Export=1/4 Exhaust=1/4	Import=3/8 Export=3/8 Exhaust=1/4	Import=3/8 Export=3/8 Exhaust=3/8	Import=1/2 Export=1/2 Exhaust=1/2
Sectional Area	5.5mm <sup>2</sup> (CV=0.31)	12mm <sup>2</sup> (CV=0.67)	14mm <sup>2</sup> (CV=0.78)	16mm <sup>2</sup> (CV=0.89)	25mm <sup>2</sup> (CV=1.4)	30mm <sup>2</sup> (CV=1.68)	30mm <sup>2</sup> (CV=1.68)	50mm <sup>2</sup> (CV=2.79)
Working Pressure	0.15~0.8Mpa							
Max. Pressure	1.2Mpa							
Working Temperature	-5~60°C							
Ways	2 Position 5 Port							
Body Material	Aluminum							
Lubrication	No							
Max. Acting Frequency	5Times/S				4Times/S		3Times/S	

### Main Dimensions



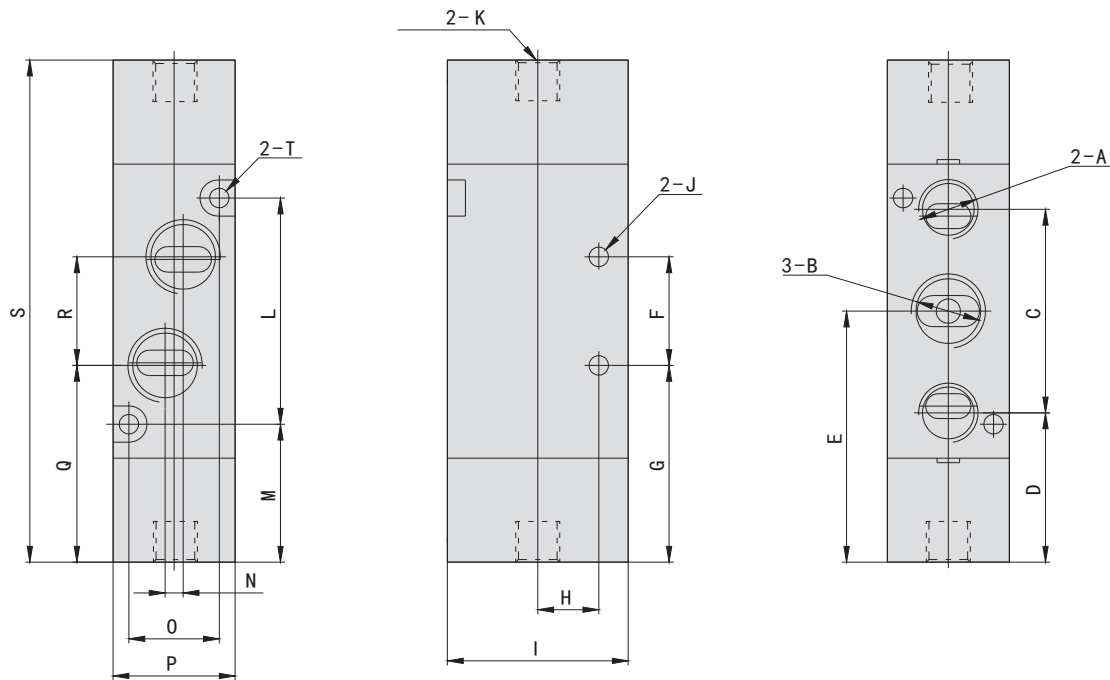
Model	Sign	A	B	C	D	E	F	G	H	I	J	K	L	M	N	O	P	Q	R	S	T
4A110-M5	M5x0.8	M5x0.8	27	14.7	28.2	14	21.2	9.5	27	3.3	1/8"	30	13.2	0	13	18	21.2	14	68.7	3.3	
4A110-06	1/8"	1/8"	28	14.2	28.2	14	21.2	9.5	27	3.3	1/8"	30	13.2	3	13	18	20.2	16	68.7	3.3	
4A210-06	1/8"	1/8"	36	13.7	31.7	20	21.7	10.5	35	4.3	1/8"	38	12.7	0	17	22	22.7	18	77.7	3.2	
4A210-08	1/8"	1/4"	36	13.7	31.7	20	21.7	10.5	35	4.3	1/8"	38	12.7	3	17	22	21.2	21	77.7	3.2	
4A310-08	1/4"	1/4"	45	17.5	40	24	28	13.5	40	4.3	1/8"	50	15	0	20	27	29	22	95.5	4.3	
4A310-10	1/4"	3/8"	45	17.5	40	24	28	13.5	40	4.3	1/8"	50	15	4	20	27	28	24	95.5	4.3	
4A410-10	3/8"	3/8"	63	25.5	57	28	43	17.5	50	5.5	1/8"	72	21	4	27	34	39	36	128	4.3	
4A410-15	1/2"	1/2"	63	25.5	57	28	43	17.5	50	5.5	1/8"	72	21	4	27	34	39	36	128	4.3	

## 4A Series Air Control Valve

### Specifications 4A Series Air Control Valve (2 Position 5 Port Double Control)

Model	4A120-M5	4A120-06	4A220-06	4A220-08	4A320-08	4A320-10	4A420-10	4A420-15
Working Medium	Clean air (40µm Filtration)							
Acting Type	Internal Guide							
Joint Size	Import=M5 Export=M5 Exhaust=M5	Import=1/8 Export=1/8 Exhaust=1/8	Import=1/8 Export=1/8 Exhaust=1/8	Import=1/4 Export=1/4 Exhaust=1/8	Import=1/4 Export=1/4 Exhaust=1/4	Import=3/8 Export=3/8 Exhaust=1/4	Import=3/8 Export=3/8 Exhaust=3/8	Import=1/2 Export=1/2 Exhaust=1/2
Sectional Area	5.5mm <sup>2</sup> (CV=0.31)	12mm <sup>2</sup> (CV=0.67)	14mm <sup>2</sup> (CV=0.78)	16mm <sup>2</sup> (CV=0.89)	25mm <sup>2</sup> (CV=1.4)	30mm <sup>2</sup> (CV=1.68)	30mm <sup>2</sup> (CV=1.68)	50mm <sup>2</sup> (CV=2.79)
Working Pressure	0.15~0.8Mpa							
Max. Pressure	1.2Mpa							
Working Temperature	-5~60°C							
Ways	2 Position 5 Port							
Body Material	Aluminum							
Lubrication	No							
Max. Acting Frequency	5Times/S				4Times/S		3Times/S	

### Main Dimensions



Model	Sign	A	B	C	D	E	F	G	H	I	J	K	L	M	N	O	P	Q	R	S	T
4A120-M5	M5x0.8	M5x0.8	27	27	40.5	14	33.5	9.5	27	3.3	1/8"	30	25.5	0	13	18	33.5	14	81	3.3	
4A120-06	1/8"	1/8"	28	26.5	40.5	14	33.5	9.5	27	3.3	1/8"	30	25.5	3	13	18	33.5	16	81	3.3	
4A220-06	1/8"	1/8"	36	28	46	20	36	10.5	35	4.3	1/8"	38	27	0	17	22	37	18	92	3.2	
4A220-08	1/8"	1/4"	36	28	46	20	36	10.5	35	4.3	1/8"	38	27	3	17	22	35.5	21	92	3.2	
4A320-08	1/4"	1/4"	45	33	55.5	24	43.5	13.5	40	4.3	1/8"	50	30.5	0	20	27	44.5	22	111	4.3	
4A320-10	1/4"	3/8"	45	33	55.5	24	43.5	13.5	40	4.3	1/8"	50	30.5	4	20	27	44.5	24	111	4.3	
4A420-10	3/8"	3/8"	63	39.5	71	28	57	17.5	50	5.5	1/8"	72	35	4	27	34	53	36	142	4.3	
4A420-15	1/2"	1/2"	63	39.5	71	28	57	17.5	50	5.5	1/8"	72	35	4	27	34	53	36	142	4.3	



## 4A Series Air Control Valve

### Specifications 4A Series Air Control Valve (3 Position 5 Port Center Close)

Model	4A130C-M5	4A130C-06	4A230C-06	4A230C-08	4A330C-08	4A330C-10	4A430C-10	4A430C-15
Working Medium	Clean air (40µm Filtration)							
Acting Type	Internal Guide							
Joint Size	Import=M5 Export=M5 Exhaust=M5	Import=1/8 Export=1/8 Exhaust=1/8	Import=1/8 Export=1/8 Exhaust=1/8	Import=1/4 Export=1/4 Exhaust=1/8	Import=1/4 Export=1/4 Exhaust=1/4	Import=3/8 Export=3/8 Exhaust=1/4	Import=3/8 Export=3/8 Exhaust=3/8	Import=1/2 Export=1/2 Exhaust=1/2
Sectional Area	5.0mm <sup>2</sup> (CV=0.28)	9.0mm <sup>2</sup> (CV=0.50)	12mm <sup>2</sup> (CV=0.67)	12mm <sup>2</sup> (CV=0.67)	18mm <sup>2</sup> (CV=1.0)	18mm <sup>2</sup> (CV=1.0)	30mm <sup>2</sup> (CV=1.68)	30mm <sup>2</sup> (CV=1.68)
Working Pressure	0.15~0.8Mpa							
Max. Pressure	1.2Mpa							
Working Temperature	-5~60°C							
Ways	3 Position 5 Port							
Body Material	Aluminum							
Lubrication	No							
Max. Acting Frequency	3Times/S							

### Specifications 4A Series Air Control Valve (3 Position 5 Port Center Exhaust)

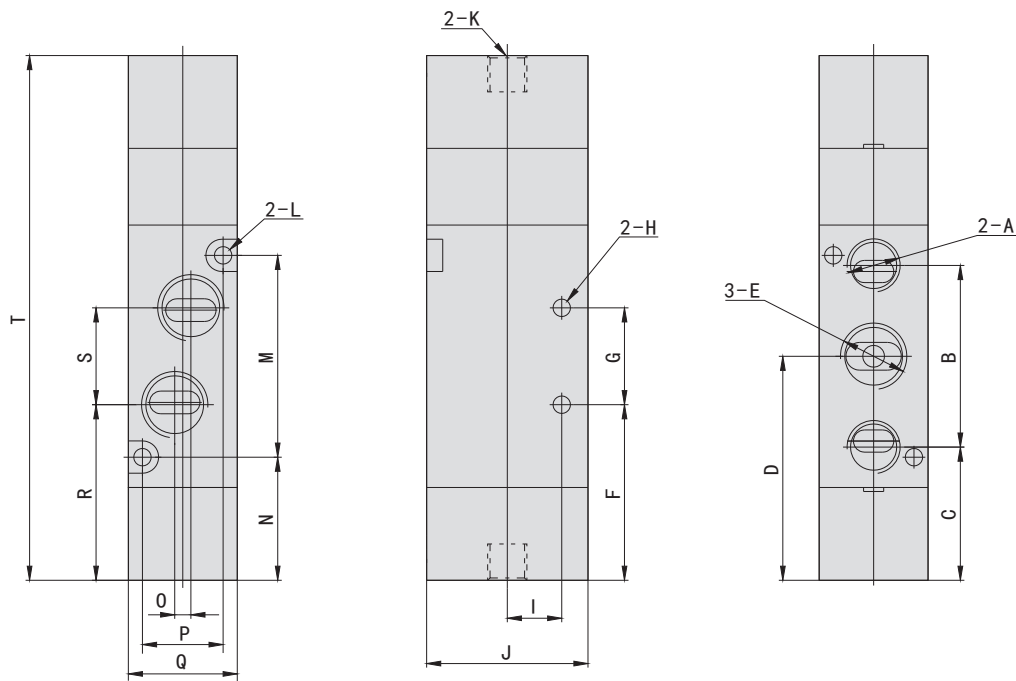
Model	4A130E-M5	4A130E-06	4A230E-06	4A230E-08	4A330E-08	4A330E-10	4A430E-10	4A430E-15
Working Medium	Clean air (40µm Filtration)							
Acting Type	Internal Guide							
Joint Size	Import=M5 Export=M5 Exhaust=M5	Import=1/8 Export=1/8 Exhaust=1/8	Import=1/8 Export=1/8 Exhaust=1/8	Import=1/4 Export=1/4 Exhaust=1/8	Import=1/4 Export=1/4 Exhaust=1/4	Import=3/8 Export=3/8 Exhaust=1/4	Import=3/8 Export=3/8 Exhaust=3/8	Import=1/2 Export=1/2 Exhaust=1/2
Sectional Area	5.0mm <sup>2</sup> (CV=0.28)	9.0mm <sup>2</sup> (CV=0.50)	12mm <sup>2</sup> (CV=0.67)	12mm <sup>2</sup> (CV=0.67)	18mm <sup>2</sup> (CV=1.0)	18mm <sup>2</sup> (CV=1.0)	30mm <sup>2</sup> (CV=1.68)	30mm <sup>2</sup> (CV=1.68)
Working Pressure	0.15~0.8Mpa							
Max. Pressure	1.2Mpa							
Working Temperature	-5~60°C							
Ways	3 Position 5 Port							
Body Material	Aluminum							
Lubrication	No							
Max. Acting Frequency	3Times/S							

## 4A Series Air Control Valve

### Specifications 4A Series Air Control Valve (3 Position 5 Port Center Pressure)

Model	4A130P-M5	4A130P-06	4A230P-06	4A230P-08	4A330P-08	4A330P-10	4A430P-10	4A430P-15
Working Medium	Clean air (40µm Filtration)							
Acting Type	Internal Guide							
Joint Size	Import=M5 Export=M5 Exhaust=M5	Import=1/8 Export=1/8 Exhaust=1/8	Import=1/8 Export=1/8 Exhaust=1/8	Import=1/4 Export=1/4 Exhaust=1/8	Import=1/4 Export=1/4 Exhaust=1/4	Import=3/8 Export=3/8 Exhaust=1/4	Import=3/8 Export=3/8 Exhaust=3/8	Import=1/2 Export=1/2 Exhaust=1/2
Sectional Area	5.0mm <sup>2</sup> (CV=0.28)	9.0mm <sup>2</sup> (CV=0.50)	12mm <sup>2</sup> (CV=0.67)	12mm <sup>2</sup> (CV=0.67)	18mm <sup>2</sup> (CV=1.0)	18mm <sup>2</sup> (CV=1.0)	30mm <sup>2</sup> (CV=1.68)	30mm <sup>2</sup> (CV=1.68)
Working Pressure	0.15~0.8Mpa							
Max. Pressure	1.2Mpa							
Working Temperature	-5~60°C							
Ways	3 Position 5 Port							
Body Material	Aluminum							
Lubrication	No							
Max. Acting Frequency	3Times/S							

### Main Dimensions

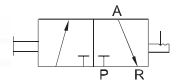
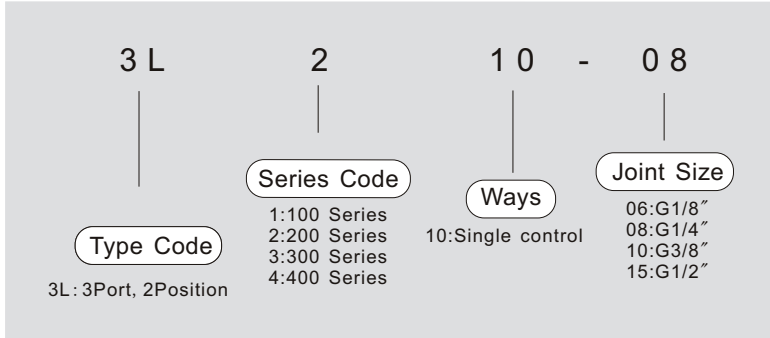


Model	Sign	A	B	C	D	E	F	G	H	I	J	K	L	M	N	O	P	Q	R	S	T
4A130-M5	M5x0.8	27	26	40.5	M5x0.8	33.5	14	3.3	9.5	27	1/8"	3.3	30	26.5	0	13	18	33.5	14	96	
4A130-06	1/8"	28	26	40.5	1/8"	33.5	14	3.3	9.5	27	1/8"	3.3	30	26.5	1	13	18	33.5	16	96	
4A230-06	1/8"	36	28	46	1/8"	36	20	4.3	10.5	35	1/8"	3.2	38	27	0	17	22	37	18	111	
4A230-08	1/8"	36	28	46	1/4"	36	20	4.3	10.5	35	1/8"	3.2	38	27	3	17	22	35.5	21	111	
4A330-08	1/4"	45	33	55.5	1/4"	43.5	24	4.3	13.5	40	1/8"	4.3	50	30.5	0	20	27	44.5	22	130	
4A330-10	1/4"	45	33	55.5	3/8"	43.5	24	4.3	13.5	40	1/8"	4.3	50	30.5	4	20	27	44.5	24	130	
4A430-15	1/2"	63	39.5	71	1/2"	57	28	5.5	17.5	50	1/8"	4.3	72	35	4	27	34	53	36	163	



## L Series Hand Pull Valve

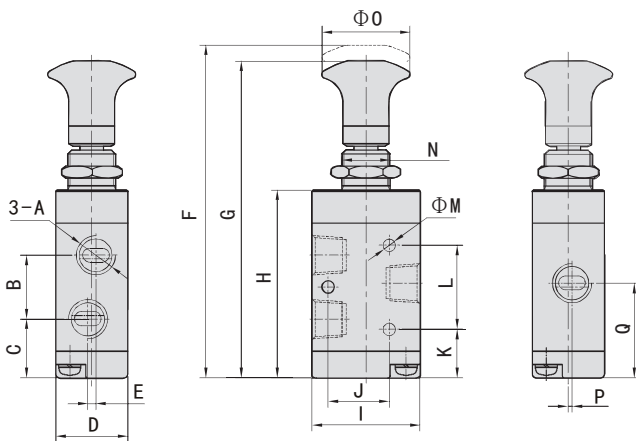
Ordering Code L Series Hand Pull Valve (2 Position 3 Port)



## Specifications

Model	3L110-06	3L210-06	3L210-08	3L310-08	3L310-10	3L410-10	3L410-15
Working Medium	Clean air (40µm Filtration)						
Acting Type	Direct Acting						
Joint Size	G1/8"		G1/4"		G3/8"		G1/2"
Ways	2 Position 3 Port						
Lubrication	No						
Working Pressure	0~0.8Mpa						
Max. Pressure	1.5Mpa						
Working Temperature	-20~70°C						
Body Material	Aluminum						
Seal Material	NBR						

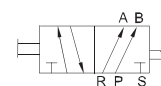
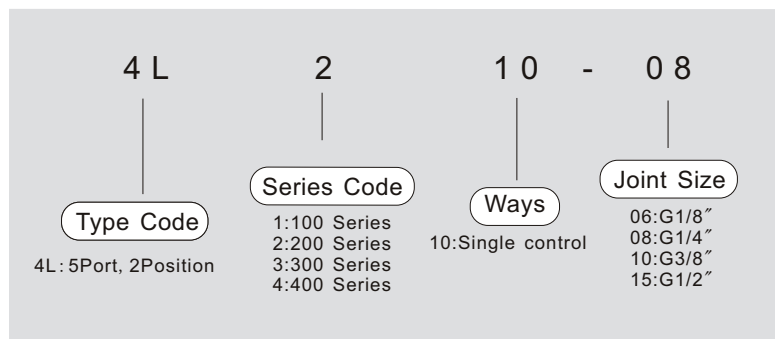
## Main Dimensions



Model	3L110-06	3L210-06	3L210-08	3L310-08	3L310-10	3L410-10	3L410-15
A	G1/8	G1/8	G1/4	G1/4	G3/8	G3/8	G1/2
B	16	18.5	22.5	22	25	33.5	36
C	14.5	18.3	16.3	21.5	20	26	23.5
D	18	22	22	27	27	34	34
E	2	0	0	1	2	0	0
F	83.5	94	94	110	110	138	138
G	79.5	89	89	105	105	133	133
H	44.5	54.5	54.5	63.5	63.5	85	85
I	27	35	35	40	40	50	50
J	19	24	24	28	28	36	36
K	15.5	17.5	17.5	20.5	20.5	28.5	28.5
L	14	20	20	24	24	28	28
M	3.1	4.3	4.3	4.3	4.3	4.3	4.3
N	M14X1	M14X1	M14X1	M14X1	M14X1	M22X2.5	M22X2.5
O	22.5	22.5	22.5	32	32	32	32
P	1	0.5	1.5	1	2	2	2
Q	22.5	27.5	27.5	32.5	32.5	42.5	42.5

## L Series Hand Pull Valve

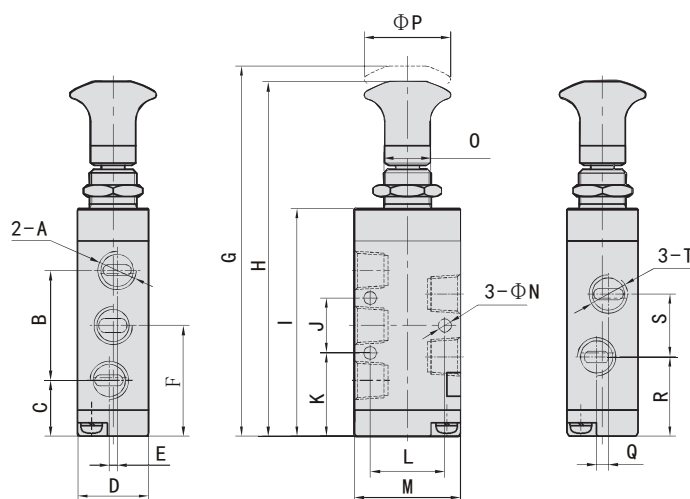
Ordering Code L Series Hand Pull Valve (2 Position 5 Port)



## Specifications

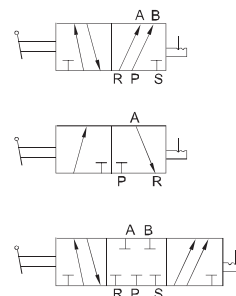
Model	4L110-06	4L210-06	4L210-08	4L310-08	4L310-10	4L410-10	4L410-15
	Clean air (40µm Filtration)						
Acting Type	Direct Acting Type						
Joint Size	G1/8"		G1/4"		G3/8"		G1/2"
Ways	2 Position 5 Port						
Lubrication	No						
Working Pressure	0~0.8Mpa						
Max. Pressure	1.5Mpa						
Working Temperature	-20~70°C						
Body Material	Aluminum						
Seal Material	NBR						

## Main Dimensions



Model	4L110-06	4L210-06	4L210-08	4L310-08	4L310-10	4L410-10	4L410-15
A	G1/8	G1/8	G1/8	G1/4	G1/4	G3/8	G3/8
B	28	35	35	45	45	63	63
C	14	14	14	17.5	17.5	23	23
D	18	22	22	27	27	34	34
E	1	0	0	0	4	0	0
F	28	31.5	31.5	40	40	54.5	54.5
G	95	102	102	119	119	162	162
H	91	98	98	114	114	157	157
I	55.5	62.5	62.5	78.5	78.5	109	109
J	14	20	20	24	24	28	28
K	21	21.5	21.5	28	28	40.5	40.5
L	19	24	24	28	28	36	36
M	27	35	35	40	40	50	50
N	3.3	4.3	4.3	4.3	4.3	5.5	5.5
O	M14X1	M14X1	M14X1	M14X1	M14X1	M22X1.5	M22X1.5
P	22.5	22.5	22.5	32	32	32	32
Q	4	0	3	0	4	0	4
R	20	21.5	22.5	28	28	36.5	36.5
S	16	20	18	24	24	36	35.5
T	G1/8	G1/8	G1/4	G1/4	G3/8	G3/8	G1/2

## H Series Hand Push Valve



### Ordering Code H Series Push Valve

4 H	2	1 0	-	0 8
Type Code	Series Code	Ways		Joint Size
3H: 3Port, 2Position 4H: 5Port, 2 (3) Position	1:100 Series 2:200 Series 3:300 Series 4:400 Series	10:Single Control 30C:Double Control Center Pressure		M5:M5 06:G1/8" 08:G1/4" 10:G3/8" 15:G1/2"

### Product Features

- \* Manual operated;
- \* Various working styles are available;

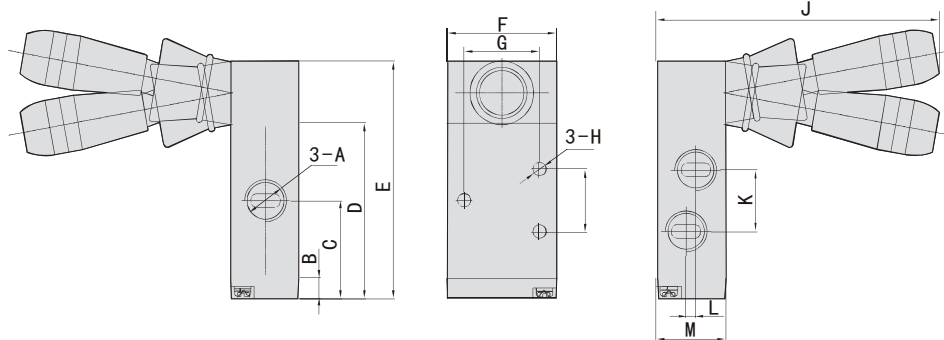
### Specifications

Mode	Joint Size	Sectional Area	Working Medium	Working Pressure	Max. Pressure	Working Temperature	Body Material	Lubrication
3H110-06	G1/8"	12mm <sup>2</sup> (CV=0.67)	Clean air	0~1.0 Mpa	1.5 Mpa	-10~60°C	Aluminum	No
3H210-06	G1/8"	14mm <sup>2</sup> (CV=0.78)						
3H210-08	G1/4"	16mm <sup>2</sup> (CV=0.89)						
3H310-08	G1/4"	25mm <sup>2</sup> (CV=1.39)						
3H310-10	G3/8"	30mm <sup>2</sup> (CV=1.67)						
3H410-10	G3/8"	40mm <sup>2</sup> (CV=2.23)						
3H410-15	G1/2"	50mm <sup>2</sup> (CV=2.79)						
4H110-06	G1/8"	12mm <sup>2</sup> (CV=0.67)						
4H210-06	G1/8"	14mm <sup>2</sup> (CV=0.78)						
4H210-08	G1/4"	16mm <sup>2</sup> (CV=0.89)						
4H310-08	G1/4"	25mm <sup>2</sup> (CV=1.39)						
4H310-10	G3/8"	30mm <sup>2</sup> (CV=1.67)						
4H410-10	G3/8"	40mm <sup>2</sup> (CV=2.23)						
4H410-15	G1/2"	50mm <sup>2</sup> (CV=2.79)						
4H130C-06	G1/8"	9mm <sup>2</sup> (CV=0.50)						
4H230C-08	G1/4"	12mm <sup>2</sup> (CV=0.67)						
4H330C-10	G3/8"	18mm <sup>2</sup> (CV=1.00)						
4H430C-15	G1/2"	30mm <sup>2</sup> (CV=1.67)						

## H Series Hand Push Valve

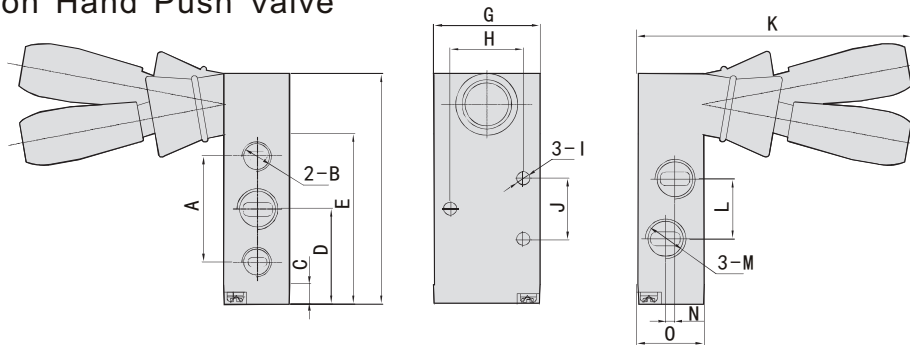
### Main Dimensions

#### 3Port, 2Position Hand Push Valve



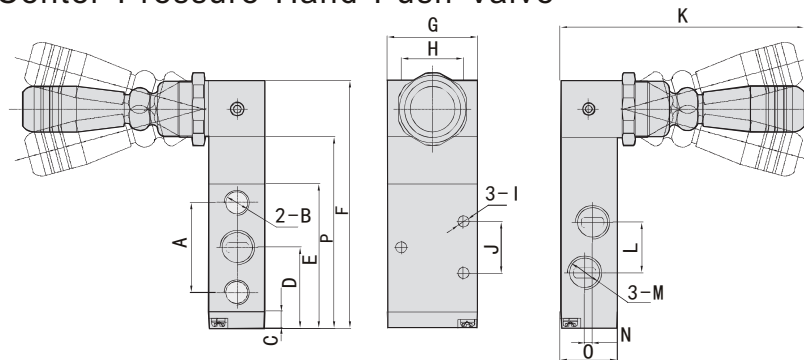
Modle	A	B	C	D	E	F	G	H	I	J	K	L	M
3H110-06	G1/8	6.5	22.5	38.5	58.5	27	19	Φ3.3	14	87.7	16	2	18
3H210-08	G1/4	6.5	27.5	40.5	68.5	35	24	Φ4.3	20	91.5	22.5	0	22
3H310-10	G3/8	7.5	32.5	57.5	77.5	40	28	Φ4.3	24	99.3	25	2	27
3H410-15	G1/2	7.5	42.5	77.5	105.5	50	36	Φ4.3	28	107	36	0	34

#### 5Port, 2Position Hand Push Valve



Modle	A	B	C	D	E	F	G	H	I	J	K	L	M	N	O
4H110-06	28	G1/8	6.5	28	49.5	69.5	27	19	Φ3.3	14	87.5	16	G1/8	3	18
4H210-06	35	G1/4	6.5	31.5	76.5	76.5	35	24	Φ4.3	20	90	20	G1/4	3	22
4H310-08	45	G3/8	7.5	40	92.5	92.5	40	28	Φ4.3	24	96.5	24	G3/8	4	27
4H410-08	63	G1/2	7.5	54.5	129.5	129.5	50	36	Φ5.5	28	105	36	G1/2	4	34

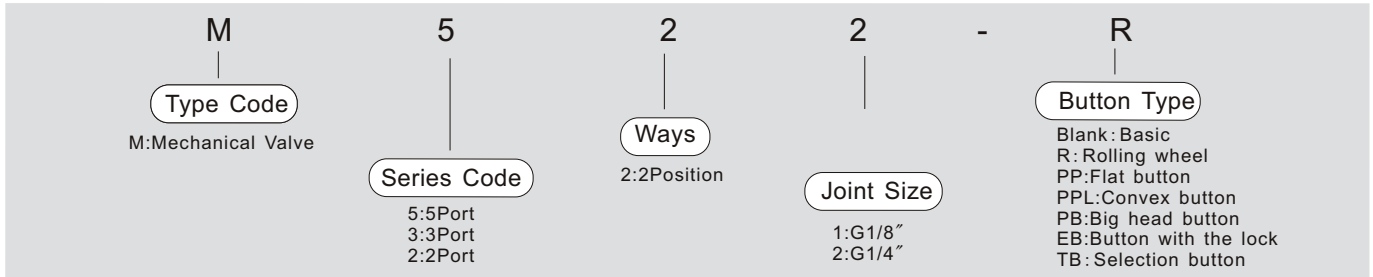
#### 5Port, 3Position Center Pressure Hand Push Valve



Modle	A	B	C	D	E	F	G	H	I	J	K	L	M	N	O	P
4H130C-06	28	G1/8	6.5	28	49.5	84.5	27	19	Φ3.5	14	94.5	16	G1/8	3	18	64.5
4H230C-08	35	G1/4	6.5	31.5	56.5	97	35	24	Φ4.3	20	95.5	20	G1/4	3	22	75
4H330C-10	44	G3/8	7.5	40	72.5	113.5	40	28	Φ4.3	24	100	24	G3/8	4	27	91.5
4H430C-15	63	G1/2	7.5	54.5	101.5	152	50	36	Φ5.5	28.5	108	35	G1/2	4	34	124

## M Series Mechanical Valve

### Ordering Code M Series Mechanical Valve

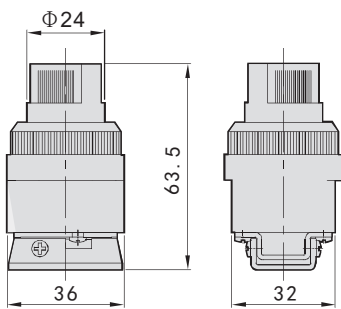


### Specifications

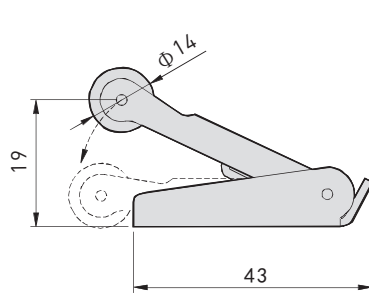
Model	M221	M322	M522
Working Medium	Clean air (40µm Filtration)		
Control Mode	Mechanical Control/Manual Control		
Lubrication	No		
Working Pressure	0.15~0.8Mpa		
Working Temperature	1.2Mpa		
Max. Pressure	-5~80°C		
Joint Size	G1/8"、G1/4"		

### Main Dimensions

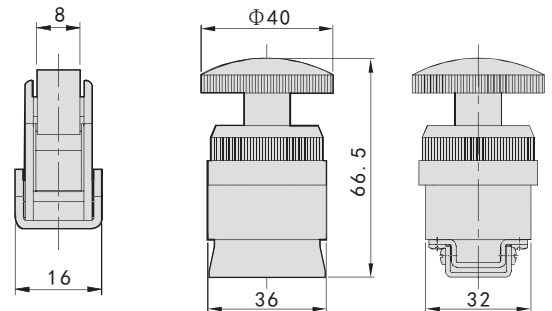
TB: Selection button



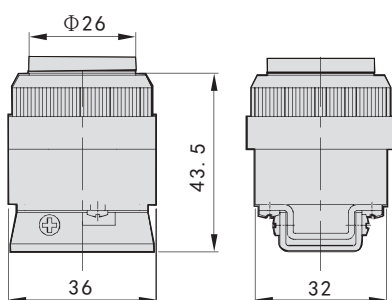
R: Rolling wheel



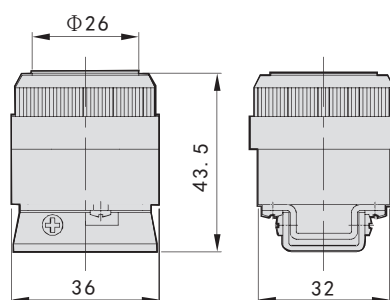
EB: Button with the lock



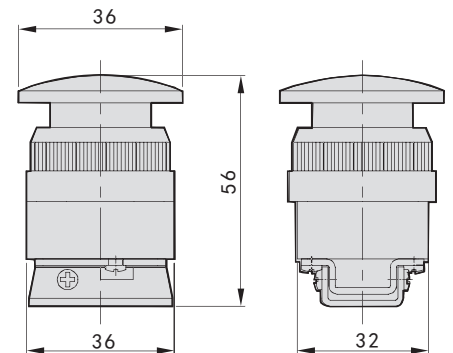
PPL: Convex button



PP: Flat button



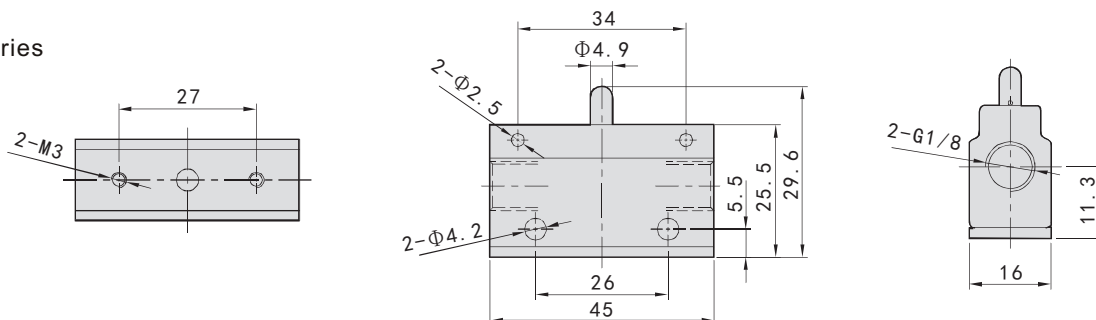
PB: Big head button





## M Series Mechanical Valve

### M221 Series



M221-TB



M221-R



M221-EB



M221-PPL

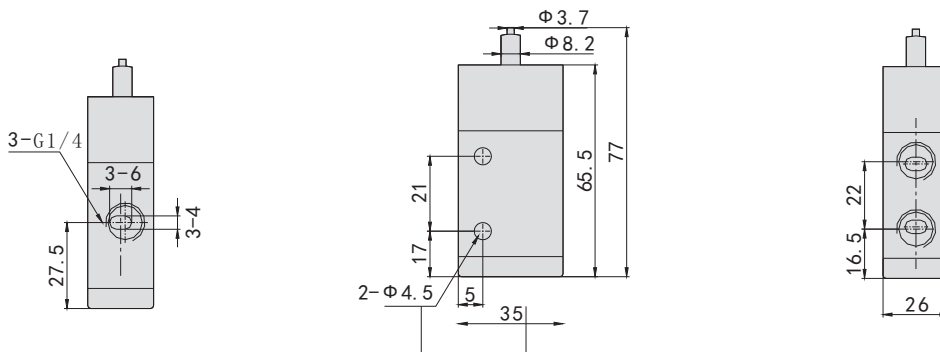


M221-PP



M221-PB

### M322 Series



M322-TB



M322-R



M322-EB



M322-PPL



M322-PP

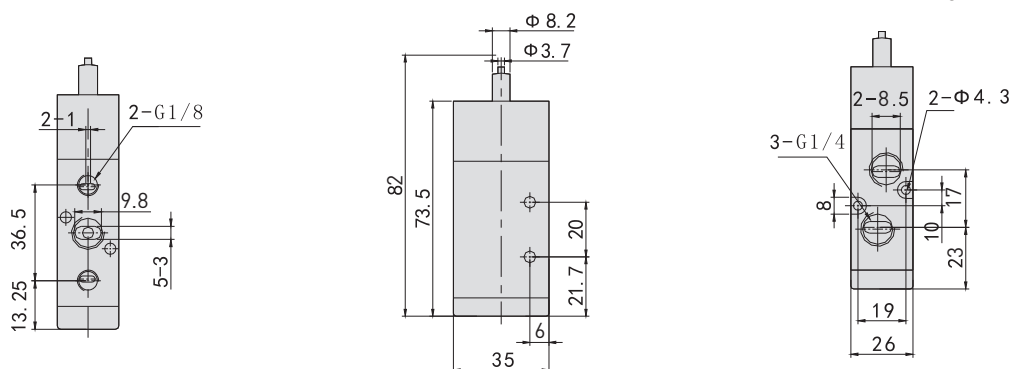


M322-PB



M322

### M522 Series



M522-TB



M522-R



M522-EB



M522-PPL



M522-PP



M522-PB



M522

## 4HV Series Rotary Valve

### Ordering Code 4HV Series Rotary Valve

4 H V    2    1 0 - 0 6    -    S

**Type Code**    **Series Code**    **Joint Size**    **Installation Type**

4HV: Rotary valve

**Ways**

2:2 Series  
3:3 Series  
4:4 Series

06:G1/8"  
08:G1/4"  
10:G3/8"  
15:G1/2"  
20:G3/4"

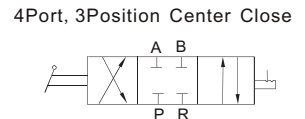
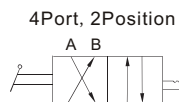
Blank: Panel Installation  
S: Body Installation

10: 4Port, 2Position  
30: 4Port, 3Position Center Close



Body Installation

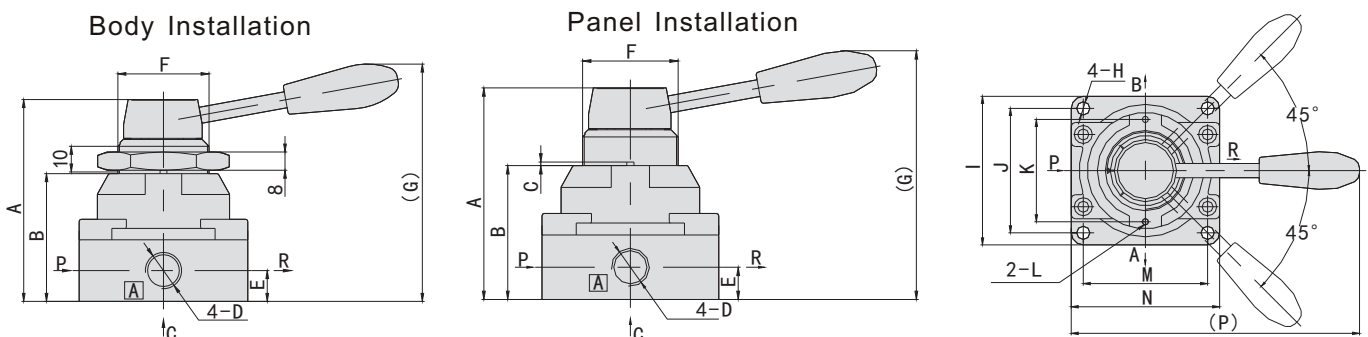
Panel Installation



### Specifications

Model	4HV2□ □ -06	4HV2□ □ -08	4HV3□ □ -08	4HV3□ □ -10	4HV4□ □ -15	4HV4□ □ -20
Working Medium	Clean air (40µm Filtration)					
Acting Type	External Control					
Joint Size	G1/8"	G1/4"		G3/8"	G1/2"	G3/4"
Sectional Area	14mm <sup>2</sup> (CV=0.78)	16mm <sup>2</sup> (CV=0.89)	30mm <sup>2</sup> (CV=1.67)	33mm <sup>2</sup> (CV=1.83)	88mm <sup>2</sup> (CV=4.89)	95mm <sup>2</sup> (CV=5.27)
Ways	4Port, 2Position, 4Port, 3Position					
Working Pressure	0~1.0Mpa					
Max. Pressure	1.5Mpa					
Working Temperature	-20~70°C					
Working Angle	90°					

### Main Dimensions



Model	A	B	C	D	E	F	G	H	I	J	K	L	M	N	P
4HV2□ □ -06	72.6	45	1.5	G1/8	11.5	M34X1.5	92.5	5	62	49	40	3	49	62	120
4HV2□ □ -08	72.6	45	1.5	G1/4	11.5	M34X1.5	92.5	5	62	49	40	3	49	62	120
4HV3□ □ -08	88.5	56	1.5	G1/4	13.5	M40X1.5	104	6.6	74	62	51	3	62	74	140
4HV3□ □ -10	88.5	56	1.5	G3/8	13.5	M40X1.5	104	6.6	74	62	51	3	62	74	140
4HV4□ □ -15	110.3	72	2	G1/2	18	M52X1.5	126	6.6	102	89	64	3	81	94	160
4HV4□ □ -20	110.3	72	2	G3/4	18	M52X1.5	126	6.6	102	89	64	3	81	94	160

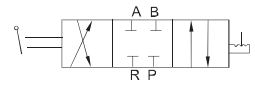
## HV Series Rotary Valve

### Ordering Code HV Series Rotary Valve

**HV** | **2** | **10** - **08** | □

**Type Code**: HV: Rotary Valve  
**Series Code**: 2:2 Series  
**Ways**: 10: 4Port, 3Position  
**Joint Size**: 08: G1/4", 10: G3/8", 15: G1/2"

Blank: ALL sides connect, basic type  
 H: All sides connect, handle type  
 P: Two sides connect, basic type  
 M: Two sides connect, mini type  
 D: Bottom connect type



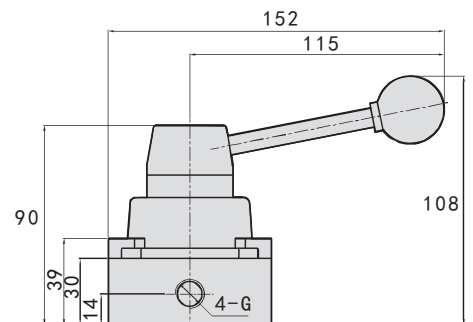
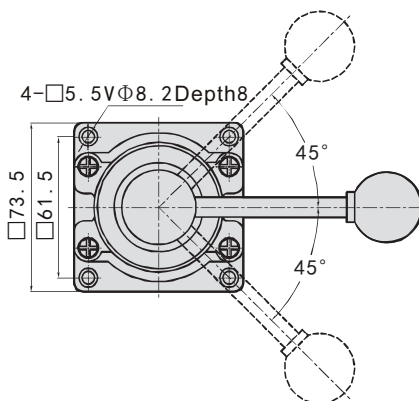
4Port, 3Position Rotary Valve

### Specifications

Model	HV210-08		HV210-08H		HV210-08P	HV210-08M	HV210-08D
	HV210-10		HV210-10H				
	HV210-15		HV210-15H				
Working Medium	Clean air (40µm Filtration)						
Acting Type	External Control						
Joint Size	HV210-08	G1/4"	HV210-08H	G1/8"	G1/4"	G1/4"	G1/4"
	HV210-10	G3/8"	HV210-10H	G1/4"			
	HV210-15	G1/2"	HV210-15H	G3/8"			
Ways	4Port, 3Position						
Lubrication	No						
Working Pressure	0~1.0Mpa						
Max. Pressure	1.5Mpa						
Working Temperature	-20~70°C						
Working Angle	90°						

### Main Dimensions

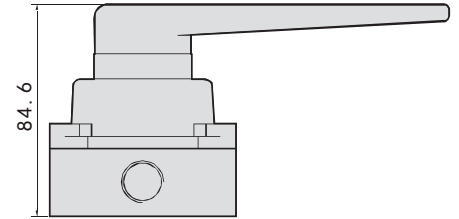
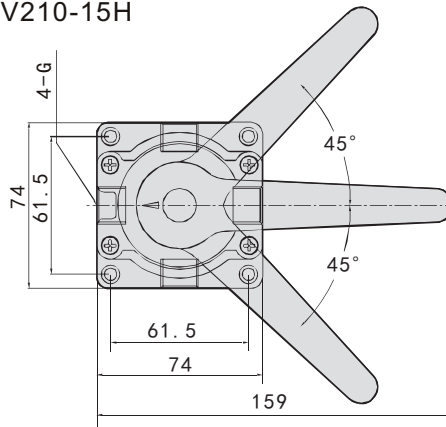
HV210-08 HV210-10 HV210-15



Model	G
HV210-08	G1/4
HV210-10	G3/8
HV210-15	G1/2

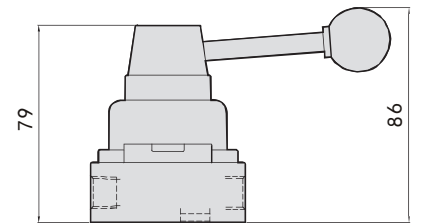
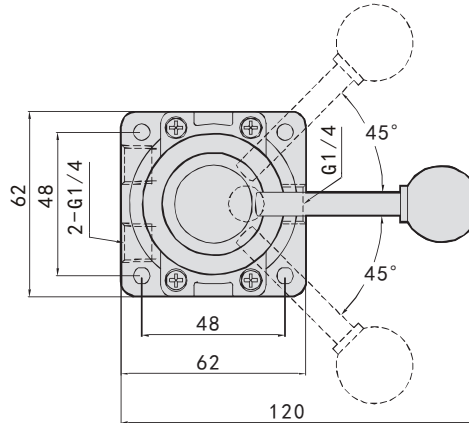
## HV Series Rotary Valve

HV210-08H / HV210-10H / HV210-15H

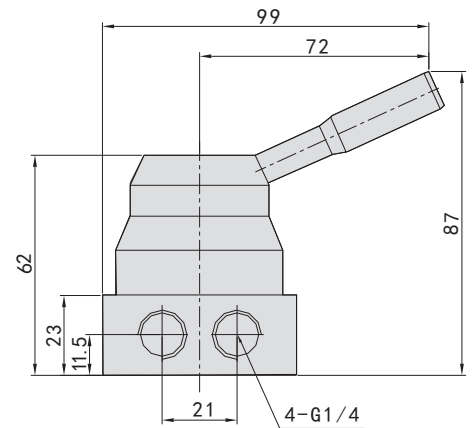
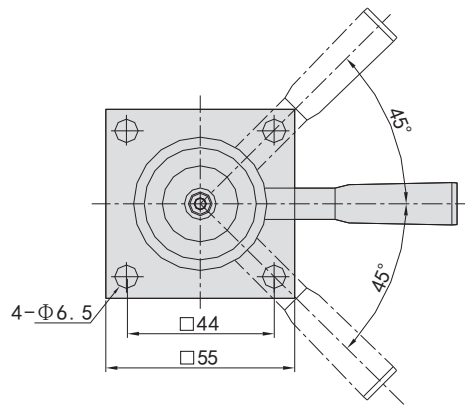


Model	G
HV210-08H	G1/4
HV210-10H	G3/8
HV210-15H	G1/2

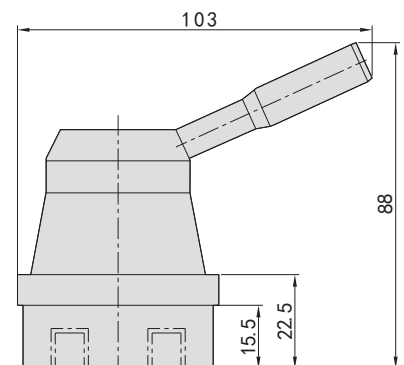
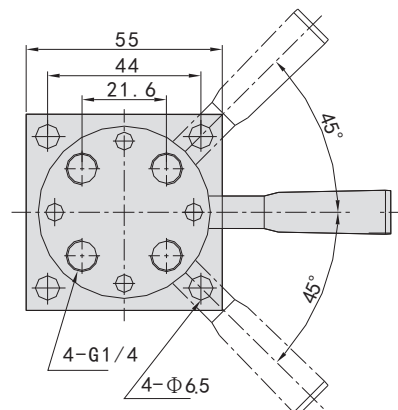
HV210-08P



HV210-08M



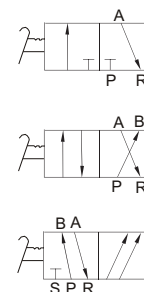
HV210-08D



## F Series Foot Pedal Valve

### Ordering Code F Series Foot Pedal Valve

<p><b>4 F 2 1 0</b></p> <p>—</p> <p><b>0 8</b></p> <p>—</p> <p><b>L</b></p>	<p>—</p> <p>—</p> <p>—</p>	<p>—</p> <p>—</p> <p>—</p>
<p>Type Code</p> <p>3F210: 3Port, 2Position 4F210M: 4Port, 2Position 4F210: 5Port, 2Position</p>	<p>Joint Size</p> <p>08:G1/4"</p>	<p>Blank: Standard L: With Lock C: With Cover LC: With Lock&amp;Cover</p>

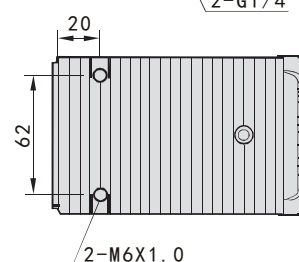
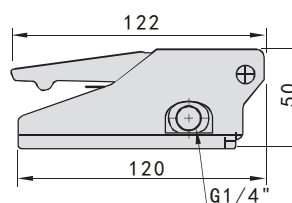
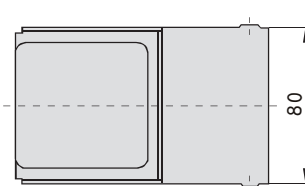


### Specifications

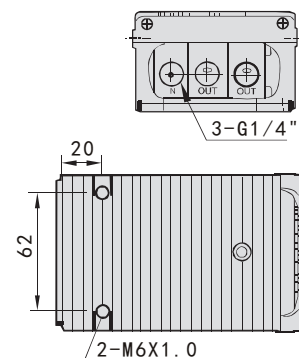
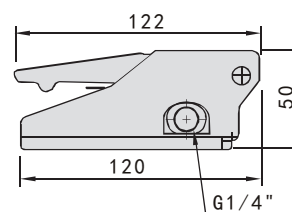
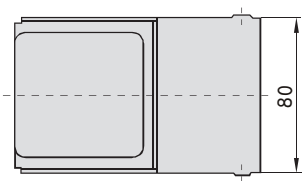
Model	3F210-08	4F210-08M	4F210-08	4F210-08L	4F210-08C	4F210-08LC
Working Medium	Clean air (40µm Filtration)					
Acting Type	External Control					
Ways	3Port, 2Position	4Port, 2Position	5Port, 2Position			
Working Pressure	0~0.7Mpa		0~0.7Mpa			
Max. Pressure	1.2Mpa					
Working Temperature	-5~60°C			-5~60°C		
Joint Size	G1/4"					

### Main Dimensions

#### 3F210-08

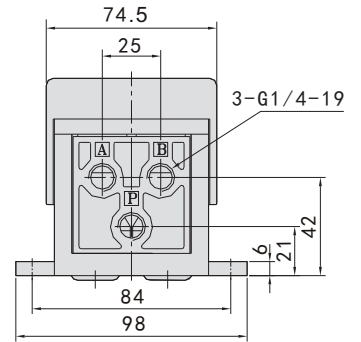
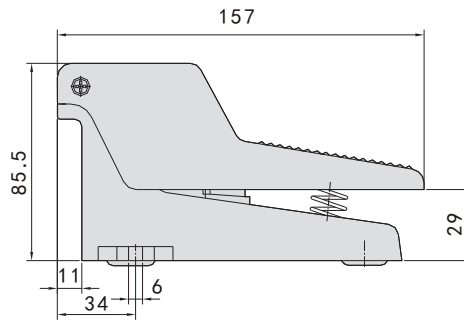


#### 4F210-08M

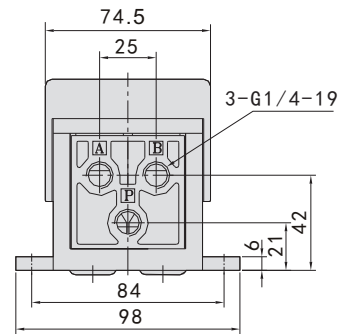
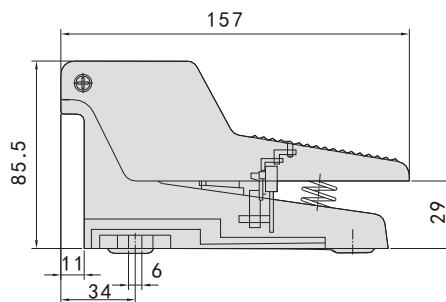


**F Series Foot Valve**

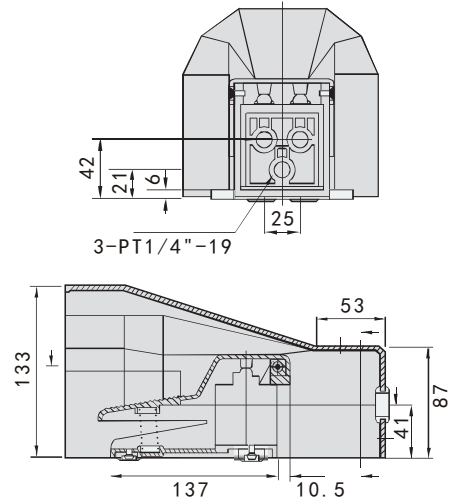
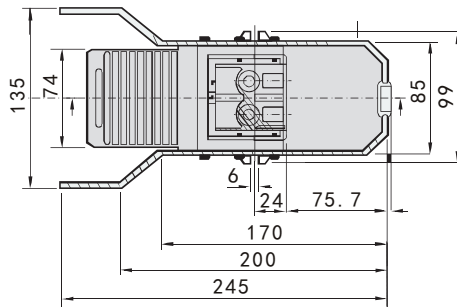
**4F210-08**



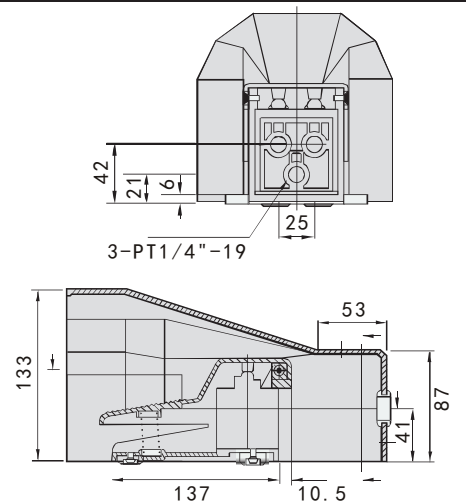
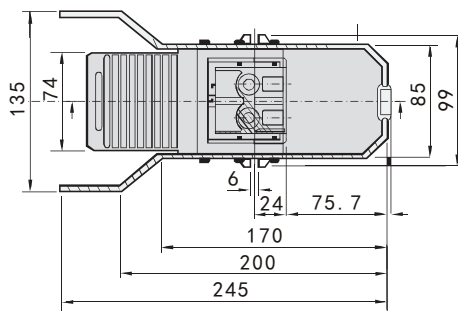
**4F210-08L**



**4F210-08C**

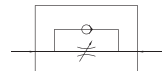
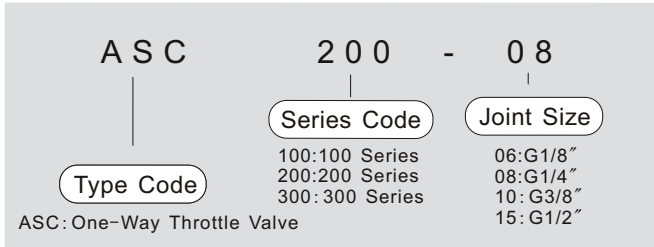


**4F210-08LC**



## ASC Series One-Way Throttle Valve

Ordering Code ASC Series One-Way Throttle Valve

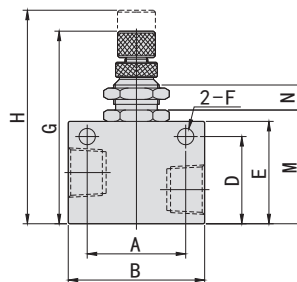
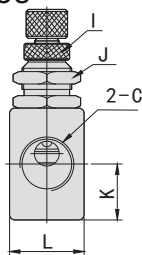


### Specifications

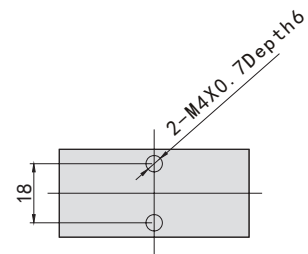
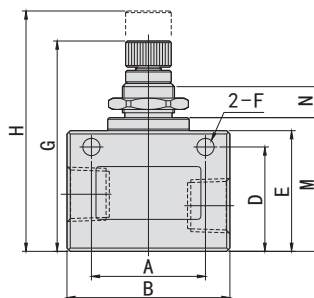
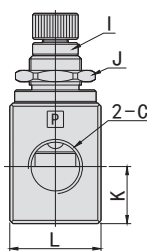
Model		ASC100-06	ASC200-08	ASC300-10	ASC300-15
Working Medium		Clean air (40µm Filtration)			
Working Pressure		0~1.0Mpa			
Max. Pressure		1.2Mpa			
Working Temperature		0~60°C			
Body Material		Aluminum			
Standard rated flow	Throttle	200L/min	450L/min	1250L/min	1650L/min
	One way	400L/min	800L/min	1500L/min	2500L/min
Joint Size		G1/8"	G1/4"	G3/8"	G1/2"

### Main Dimensions

ASC100、ASC200 Series



ASC300 Series



Model	A	B	C	D	E	F	G	H	I	J	K	L	M	N
ASC100-06	22	32	G1/8	18	23	4.3	46.8	52.3	M6X0.5	M12X0.75	10	18	26	8.6
ASC200-08	26	36	G1/4	23	27	4.3	50.8	56.3	M6X0.5	M12X0.75	13.5	18	30	8.6
ASC300-10	35	50	G3/8	32	37	5.3	65	74	M8X0.75	M16X1.0	17.5	28	40.5	10.2
ASC300-15	35	50	G1/2	32	37	5.3	65	74	M8X0.75	M16X1.0	17.5	28	40.5	10.2

## AS Series Big Flow Control Valve

Ordering Code AS Series Big Flow Control Valve

AS	2000	-	02
Type Code	Series Code	Joint Size	
AS: Big Flow Control Valve	1000:1000 Series 2000:2000 Series 3000:3000 Series 4000:4000 Series	M5:M5 01:G1/8" 02:G1/4" 03:G3/8" 04:G1/2"	



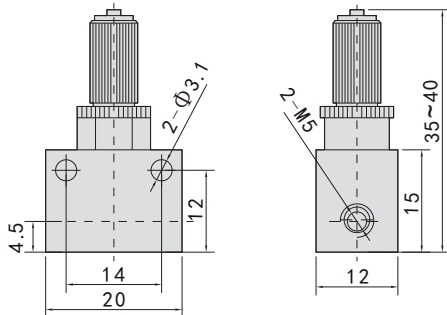
### Specifications

Model	AS1000	AS2000	AS3000	AS4000
Working Pressure	1.05Mpa	1.5Mpa		
Max. Pressure	0.7Mpa	1.0Mpa		
Min. Pressure	0.1Mpa	0.05Mpa		
Working Temperature	5~60°C			
Adjustable cycles NO	10	9	8	8

Model	Joint Size	Free Flow		Control Flow	
		Flow (L/min)	Sectional Area	Flow (L/min)	Sectional Area
AS1000-M5	M5	90	1.4	80	1.2
AS2000-01	G1/8"	340	5.2	250	3.8
AS2000-02	G1/4"	340	5.2	250	3.8
AS3000-02	G1/4"	810	12.3	810	12.3
AS3000-03	G3/8"	810	12.3	810	12.3
AS4000-02	G1/4"	1670	25.5	1670	25.5
AS4000-03	G3/8"	1670	25.5	1670	25.5
AS4000-04	G1/2"	1670	25.5	1670	25.5

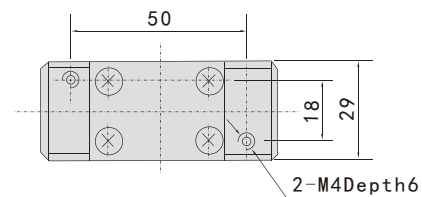
### Main Dimensions

#### AS1000

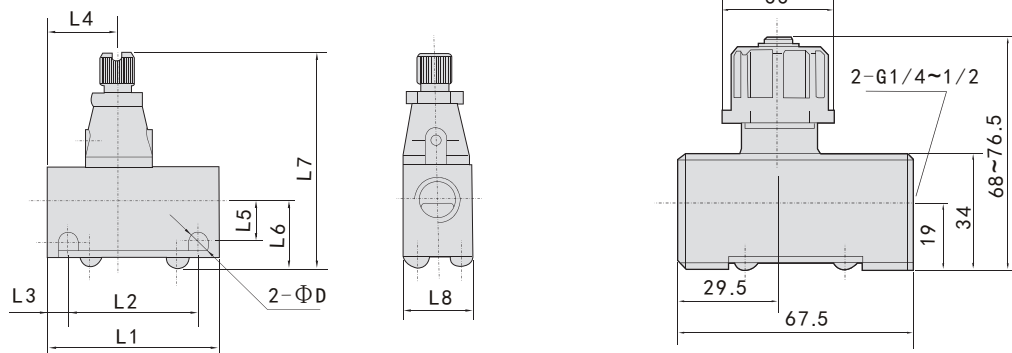


Note: Orifice is base on input pressure 0.5Mpa.

#### AS4000



#### AS2000、AS3000



Model	Joint Size	L1	L2	L3	L4	L5	L6	L7	L8	D
AS2000-01	G1/8	40	30	5	17	10	15.5	50~54.5	16	4.5
AS2000-02	G1/4	40	30	5	23	11.5	17	51.5~56	20	4.5
AS3000-02	G1/4	56	45.5	5.25	25	13.2	21	62~69	26	5.5
AS3000-03	G3/8	56	45.5	5.25	25	13.2	21	62~69	26	5.5



## Flow Control Valve

### Ordering Code KLA Series Flow Control Valve

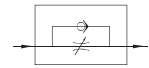
K L A                      -                      0 8

Type Code

KLA: Flow Control Valve

Joint Size

06: G1/8"	15: G1/2"
08: G1/4"	20: G3/4"
10: G3/8"	25: G1"

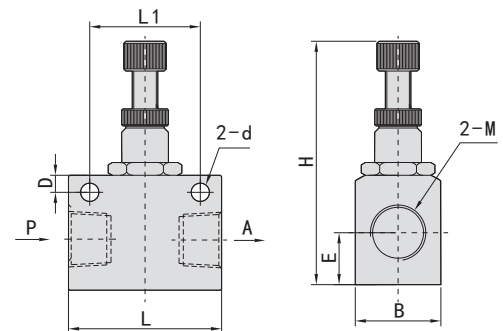


### Specifications

Model	KLA-06	KLA-08	KLA-10	KLA-15	KLA-20	KLA-25
Working Medium	Clean air (40µm Filtration)					
Working Pressure	0~0.95Mpa					
Max. Pressure	1.2Mpa					
Working Temperature	0~60°C					
Joint Size	G1/8"	G1/4"	G3/8"	G1/2"	G3/4"	G1"

Model	Orifice	L	L1	H	B	M	E	D	Φd
KLA-06	6	40	30	61~70	20	M10X1.0(G1/8)	16	5	4.2
KLA-08	8	40	30	61~70	20	M12X1.25(G1/4)	16	5	4.2
KLA-10	10	50	38	79~88	25	M16X1.5(G3/8)	19.5	6	5
KLA-15	15	50	46	88~102	28	M20X1.5(G1/2)	25	7.5	7.2
KLA-20	20	65	45	105~114	35	M27X2.0(G3/4)	29	9	7
KLA-25	25	65	45	105~114	44	M33X2(G1)	29	9	7

### Main Dimensions



## Flow Control Valve

### Ordering Code RE Series Flow Control Valve

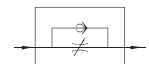
R E                      -                      0 2

Type Code

RE: Flow Control Valve

Joint Size

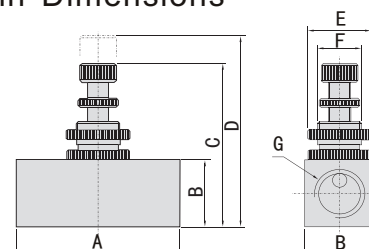
01: G1/8"
02: G1/4"
03: G3/8"
04: G1/2"



### Specifications

Model	RE-01	RE-02	RE-03	RE-04
Working Medium	Clean air (40µm Filtration)			
Acting Type	External Control			
Lubrication	No			
Working Pressure	0~1.0Mpa			
Max. Pressure	1.2Mpa			
Working Temperature	0~60°C			
Joint Size	G1/8"	G1/4"	G3/8"	G1/2"

### Main Dimensions

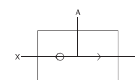


Model	A	B	C	D	E	F	G
RE-01	45	19	43	50	Φ19	M14X1	G1/8
RE-02	45	19	43	50	Φ19	M14X1	G1/4
RE-03	55	25	55	62	Φ25	M18X1	G3/8
RE-04	55	25	55	62	Φ25	M18X1	G1/2

## Shuttle Valve

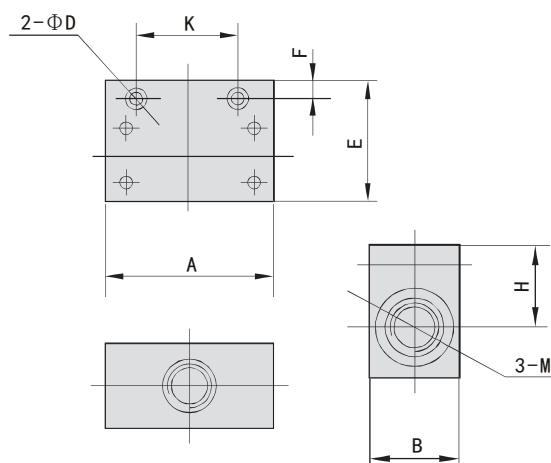
### Ordering Code VS Series Shuttle Valve

VS	-	08
Type Code		Joint Size
VS: Shuttle Valve		06:G1/8" 15:G1/2" 08:G1/4" 20:G3/4" 10:G3/8" 25:G1"



### Specifications

Model	VS-06	VS-08	VS-10	VS-15	VS-20	VS-25
Working Medium	Clean air (40µm Filtration)					
Acting Type	External Control					
Working Pressure	0.05~1.0Mpa					
Max. Pressure	1.2Mpa					
Working Temperature	-5~60°C					
Joint Size	G1/8"	G1/4"	G3/8"	G1/2"	G3/4"	G1"



### Main Dimensions

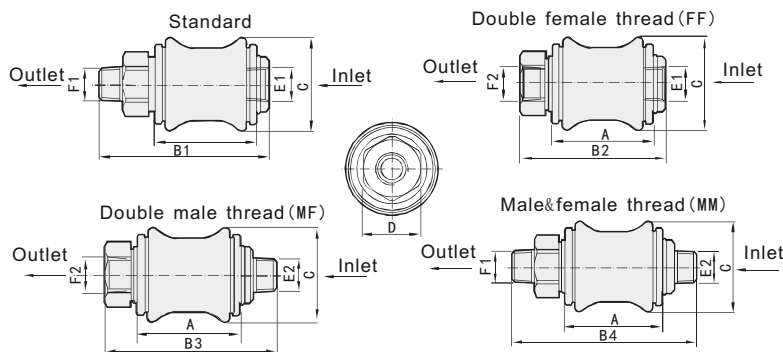
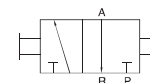
Model	A	K	B	E	H	F	D	Thread
VS-06	52	36	25	42	28	9	4.8	M10X1(G1/8)
VS-08	52	36	25	42	28	9	4.8	M12X1.25(G1/4)
VS-10	70	48	36	52	34	10	7	M16X1.5(G3/8)

Model	A	K	B	E	H	F	D	Thread
VS-15	70	48	36	52	34	10	7	M20X1.5(G1/2)
VS-20	110	72	55	76	49	12	7	M27X2(G3/4)
VS-25	110	72	55	76	49	12	7	M33X2(G1)

## Slide Valve

### Ordering Code HSV Series Slide Valve

HSV	-	08	-	MM
Type Code		Joint Size		Thread
HSV: Slide Valve		06:G1/8" 08:G1/4" 10:G3/8" 15:G1/2" 20:G3/4" 25:G1"		Blank:Standard MM:Double male thread FF:Double female thread MF:Male&female thread



Model	A	B1	B2	B3	B4	C
HSV-06	30	50	43	50	57	27.5
HSV-08	32.5	58	47	58	69	30
HSV-10	39	68.5	55.5	68.5	81.5	35.5
HSV-15	50	85.5	70.5	85.5	100.5	44
HSV-20	58	96.5	79.5	96.5	113.5	53.5
HSV-25	70	114.5	96.5	114.5	132.5	65.5

Model	D	E1	E2	F1	F2
HSV-06	17	G1/8"	G1/8"	G1/8"	G1/8"
HSV-08	19	G1/4"	G1/4"	G1/4"	G1/4"
HSV-10	22	G3/8"	G3/8"	G3/8"	G3/8"
HSV-15	30	G1/2"	G1/2"	G1/2"	G1/2"
HSV-20	36	G3/4"	G3/4"	G3/4"	G3/4"
HSV-25	43	G1"	G1"	G1"	G1"

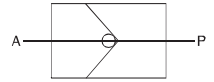
## One Way Valve

Ordering Code VA Series One Way Valve

VA - 08

Type Code  
VA: One Way Valve

Joint Size  
06: G1/8" 25: G1"  
08: G1/4" 32: G1-1/4"  
10: G3/8" 40: G1-1/2"  
15: G1/2" 50: G2"  
20: G3/4"

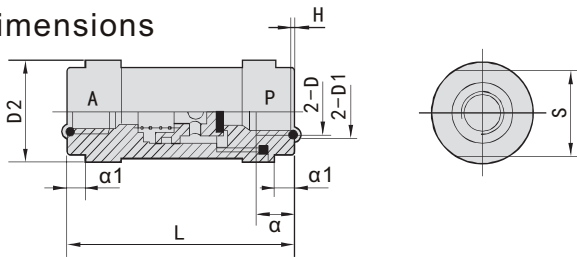


### Specifications

Model	VA-06	VA-08	VA-10	VA-15	VA-20	VA-25	VA-32	VA-40	VA-50
Medium	Clean air (40µm Filtration)								
Pressure	0.05~0.8Mpa								
Max. Pressure	1.2Mpa								
Temperature	0~55°C								
Joint Size	G1/8"	G1/4"	G3/8"	G1/2"	G3/4"	G1"	G1-1/4"	G1-1/2"	G2"

Model	D	D1	D2
VA-06	M10X1 G1/8	Φ13	Φ25
VA-08	M12X1.5 G1/4	Φ16	Φ25
VA-10	M16X1.5 G3/8	Φ20	Φ38
VA-15	M20X1.5 G1/2	Φ26	Φ38
VA-20	M27X2 G3/4	Φ32	Φ50
VA-25	M48X2 G1	Φ40	Φ50
VA-32	M33X2 G1-1/4	Φ48	Φ88
VA-40	M42X2 G1-1/2	Φ54	Φ88
VA-50	M60X2 G2	Φ70	Φ115

### Main Dimensions



Model	S	L	α	α1	H
VA-06	24	64	10	6	1.4 <sup>0</sup> <sub>-0.1</sub>
VA-08	24	64	12	6	1.4 <sup>0</sup> <sub>-0.1</sub>
VA-10	36	86	14	8	1.8 <sup>0</sup> <sub>-0.1</sub>
VA-15	36	86	14	8	1.8 <sup>0</sup> <sub>-0.1</sub>
VA-20	46	112	21	10	1.8 <sup>0</sup> <sub>-0.1</sub>
VA-25	46	112	23	10	2.7 <sup>0</sup> <sub>-0.12</sub>
VA-32	75	161	25	18	2.7 <sup>0</sup> <sub>-0.12</sub>
VA-40	75	161	26	18	2.7 <sup>0</sup> <sub>-0.12</sub>
VA-50	90	200	26	26	4.5 <sup>0</sup> <sub>-0.18</sub>

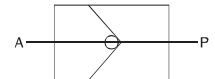
## One Way Valve

Ordering Code VAM Series One Way Valve

VAM - 08

Type Code  
VAM: One Way Valve

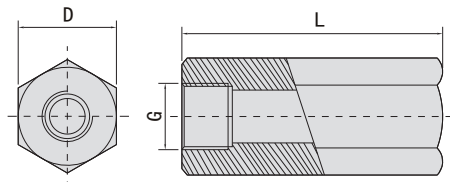
Joint Size  
M5: M5 10: G3/8"  
06: G1/8" 15: G1/2"  
08: G1/4"



### Specifications

Model	VAM-M5	VAM-06	VAM-08	VAM-10	VAM-15
Medium	Clean air (40µm Filtration)				
Temperature	0~60°C				
Pressure	0.05~1.2Mpa				
Flow(mm <sup>2</sup> /s)	4	10	20	40	60
Leakage(cm <sup>3</sup> /min)	≤30	≤45	≤60	≤80	≤95
Joint Size	M5	G1/8"	G1/4"	G3/8"	G1/2"

### Main Dimensions



Model	G	L	D
VAM-M5	M5	21	10
VAM-06	G1/8"	37	14
VAM-08	G1/4"	48	17
VAM-10	G3/8"	50	21
VAM-15	G1/2"	60	24

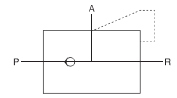
## Quick Exhausting Valve

Ordering Code VKP Series Quick Exhausting Valve

V K P - 0 8

Type Code: VKP: Quick Exhausting Valve

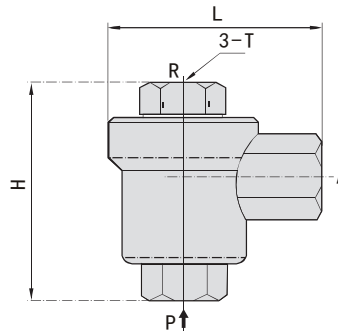
Joint Size:  
06: G1/8"  
08: G1/4"  
10: G3/8"  
15: G1/2"



### Specifications

Model	VKP-06	VKP-08	VKP-10	VKP-15
Medium	Clean air (40µm Filtration)			
Acting Type	External Lead			
Pressure	0.15~1.0Mpa			
Max. Pressure	1.2Mpa			
Temperature	-5~60°C			
Joint Size	G1/8"	G1/4"	G3/8"	G1/2"

### Main Dimensions



Model	T	H	L
VKP-06	G1/8"	39	32
VKP-08	G1/4"	42.5	37.5
VKP-10	G3/8"	50	45
VKP-15	G1/2"	65.5	54

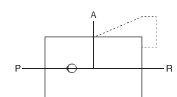
## Quick Exhausting Valve

Ordering Code VQE Series Quick Exhausting Valve

V Q E - 0 2

Type Code: VQE: Quick Exhausting Valve

Joint Size:  
01: G1/8"    04: G1/2"  
02: G1/4"    06: G3/4"  
03: G3/8"

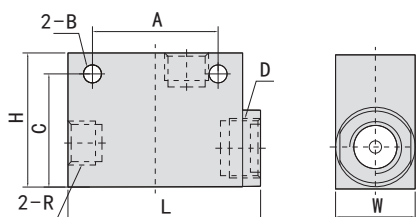


### Specifications

Model	VQE-01	VQE-02	VQE-03	VQE-04	VQE-06
Medium	Clean air (40µm Filtration)				
Material	Aluminum				
Temperature	0~60°C				
Pressure	0.05~0.9Mpa				

Model	VQE-01	VQE-02	VQE-03	VQE-04	VQE-06
Max. Pressure	1.0Mpa				
Sectional Area	16mm <sup>2</sup>	27mm <sup>2</sup>	28mm <sup>2</sup>	71mm <sup>2</sup>	73mm <sup>2</sup>
Max. Flow (l/min)	886	1823	2300	3000	3848
Joint Size	G1/8"	G1/4"	G3/8"	G1/2"	G3/4"

### Main Dimensions



Model	R	L	W	H	A	B	C	D
VQE-01	1/8"	46	19	32	30	Φ4.3	27	G1/4
VQE-02	1/4"	61.5	25.5	38	39	Φ5.6	31.5	G3/8
VQE-03	3/8"	61.5	25.5	38	39	Φ5.6	31.5	G3/8
VQE-04	1/2"	98	38	63.7	60	Φ8.5	50.5	G3/4
VQE-06	3/4"	98	38	63.7	60	Φ8.5	50.5	G3/4



8 (800) 555-63-74 бесплатные звонки по РФ  
+7 (473) 204-51-56 Воронеж  
+7 (495) 505-63-74 Москва



[www.purelogic.ru](http://www.purelogic.ru)  
[info@purelogic.ru](mailto:info@purelogic.ru)  
394033, Россия, г. Воронеж,  
Ленинский пр-т, 160, офис 149

Пн	Вт	Ср	Чт	Пт	Сб	Вс
	8 <sup>00</sup> -17 <sup>00</sup>			8 <sup>00</sup> -16 <sup>00</sup>		выходной