



## Каталог продукции SYK

# Index

● Characteristic values of (Fixed-side) Support Units Bearing.....	1
● Motor Bracket MBH.....	2
● Support Unit HF.....	3
● Motor Bracket MBCB12 / Motor Bracket MBCE10/12.....	4
● Motor Bracket MBCB15 / Motor Bracket MBCE15.....	8
● Motor Bracket MBCA15 ~ MBCA20.....	12
● Motor Bracket MBCS15~20 / MBCF20.....	15
● Motor Bracket MBC25 / Motor Bracket MBC30.....	18
● Motor Bracket MBL (Low Narrow type).....	22
● Motor Bracket MBB (Hidden type).....	23
● Motor Bracket MBA (Narrow type).....	24
● Recommended shaft end shape (Fixed-side) for MBC types.....	25
● Motor Bracket MB and Corresponding motor reference table.....	26
● SGS-C Disk/Clamp Type//Shorter Flexible Coupling.....	27
● SGL-C Disk/Clamp Type//Longer Flexible Coupling.....	29
● Low profile Support unit LK (fixed-side rectangular type).....	31
● Low profile Support Unit LF / LFA (supported-side rectangular type).....	33
● Support Unit EK (fixed-side rectangular type) / Support Unit EF (supported-side rectangular type).....	35
● Support Unit BK (fixed-side rectangular type) / Support Unit BF (Supported-side rectangular type).....	40
● Support Unit FKA (fixed-side round type).....	45
● Support Unit FK (fixed-side round type).....	48
● Support Unit FF (Supported-side rectangular type).....	52
● Support Unit AK(fixed-side rectangular type) / Support Unit AF(supported-side rectangular type).....	54
● Lock nut / Lock nut ( Heavy-load ).....	58
● SBK type support Unit ( Heavy-load ).....	61
● WBK type support Unit ( Heavy-load ).....	63
● MBK type support Unit ( Heavy-load ).....	65
● Nut Bracket MC / Nut Bracket MGD.....	67
● Recommended shaft end shape (Fixed-side).....	69
● Recommended shaft end shape(Supported-side).....	71
● Ballscrew support unit equivalent interchangeable for major manufacturer.....	72
● Thrust Testing.....	73
● Salt Spray Test(72 Hours).....	74
● Patent Product : Support unit (Type of Dropping Oil from Center).....	75
● Bearings Life Testing.....	76
● Axial Positioning repeatability test.....	77

Example of identification number Support unit :

**BK30B\_C5 G N C A S M**  
**① ② ③ ④ ⑤ ⑥ ⑦ ⑧**

<b>①</b>	B	Contact Angle B 40°
<b>②</b>	C5	Accuracy Grade
<b>③</b>	G	Grease Fitting
<b>④</b>	N	Electroless Nickel Plating
<b>⑤</b>	C	Clean Room Grease
<b>⑥</b>	A	Aluminum
<b>⑦</b>	S	Stainless Steel
<b>⑧</b>	M	Custom made or with Motor Bracket

Example of identification number Motor bracket :

**MBCB12-D N C J**  
**① ② ③ ④ ⑤**

<b>①</b>	B	Equivalent to BK type support unit
	E	Equivalent to EK type support unit
<b>②</b>	D	Servo motor specification code
<b>③</b>	N	Electroless Nickel Plating
<b>④</b>	C	Clean Room Grease
<b>⑤</b>		Taiwanese brand P5 bearing
	J	Japanese brand P5 bearings

## Usage Note

- Do not disassemble the Support Unit of LK,EK,BK,FK,FKA,AK,CKD,MBC.
- The Bearing of LK,EK,BK,FK,FKA,AK,CKD,MBC are filled up grease.
- When inserting a screw shaft into Support Unit, take care to prevent peeling the oil-seal lip.

## Characteristic values of (Fixed-side) Support Units Bearing.

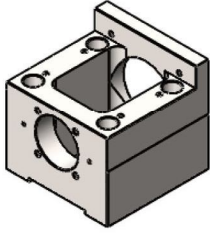
Applicable BallScrew OD	Allowable Axial load (Kgf)	Static load (Kgf)	Limiting RPM (RPM)	Bearing	Applicable model				
					Fixed-side		Supported-side		
Ø8	74	200	52800	706 A	FK06	EK06	FF06	EF06	
Ø10~Ø12	103	280	40000	708 A	FK08 LK08	EK08	FF06 LF08	EF08 LFA12	
Ø10~Ø15	195	530	24000	7000 A	BK10 EK10	FK10 AK10	LK10	BF10 EF10	FF10 LF12 LFA15
Ø14~Ø18	217	610	22000	7001 A	BK12 EK12	FK12 AK12	LK12 MBC*12	BF12 EF12	FF12 LF12 LFA15
Ø20	240	700	19000	7002 A	BK15 EK15	FK15 AK15	LK15 MBC*15	BF15 EF15	FF15 LF15 LFA20
	587	1440	13000	7302 A	MBCA15		AF15		
	2710		6000	15TAC 47B	WBK15DF MBCS15				
Ø25~Ø28	413	1220	16000	7203 A	BK17	FK17	BF17 FF17		
	428	1340	15000	7004 A	BK20	MBCA20		BF20 AF20	
	587	1690	13000	7204 A	EK20	FK20 AK20	MBCF20	FF20	
	691	1560	9500	7204 B	EK20B	FK20B AK20B	EF20 AF20 LFA25(配AK20)		
	2710		6000	20TAC 47B	WBK20 DF MBCS20	MBK20DF		BF20 FF20 EF20 AF20	
Ø30~Ø36	709	2090	12000	7205 A	BK25 MBC25	FK25 AK25	BF25 FF25 AF25		
	820	1920	8500	7205 B	BK25B	FK25B AK25B			
	4120		4500	25TAC 62B	WBK25 DF		BF25 FF25 AF25		
	8300	WBK25 DFD / DFF							
Ø40	939	3000	10000	7206 A	BK30	FK30	BF30 FF30		
	1082	2760	7100	7206 B	BK30B	FK30B			
	4380		4300	30TAC 62B	WBK30 DF				
	8760	WBK30 DFD / DFF							
Ø45	1466	3750	6000	7207 B	BK35		BF35		
	5090		3600	35TAC 72B	WBK35 DF				
	10190	WBK35 DFD / DFF							
Ø50	1834	4700	5300	7208 B	BK40		BF40		
	5300		3600	40TAC 72B	WBK40 DF				
	10600	WBK40 DFD / DFF							

**Note:**

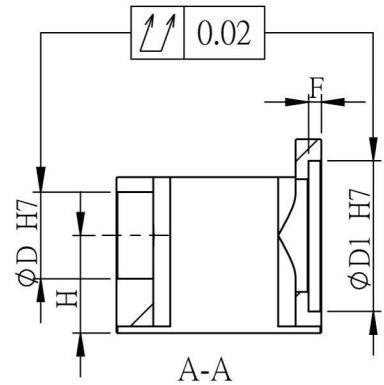
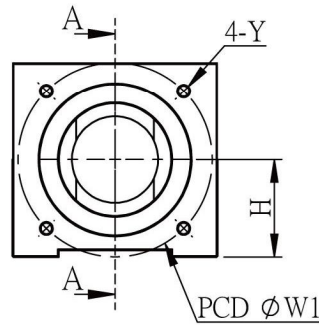
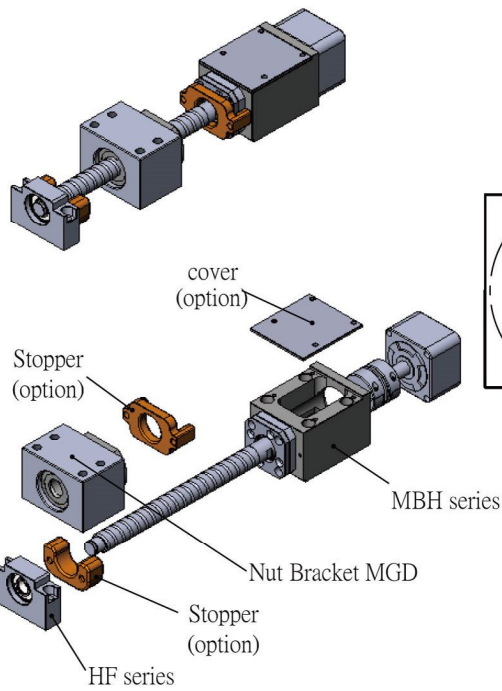
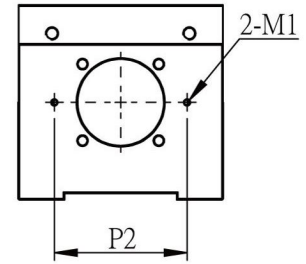
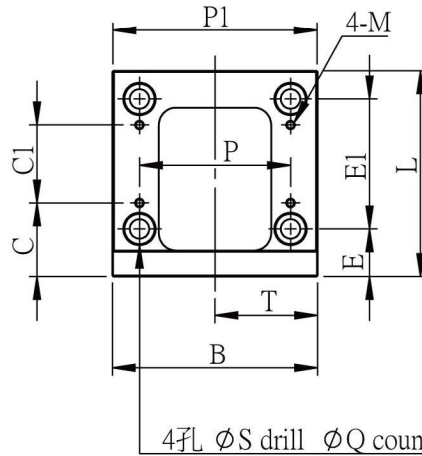
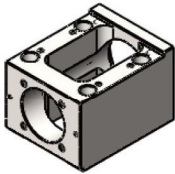
If mounting type by Fixed-side and Fixed-side, the axial load need to multiplied by two.  
(The digit of axial load and RPM in the table is for reference only, please refer to each brand's bearing catalogue for actual information)

# Motor Bracket MBH

Pattern:MBH15-EP



Pattern:MBH15-D



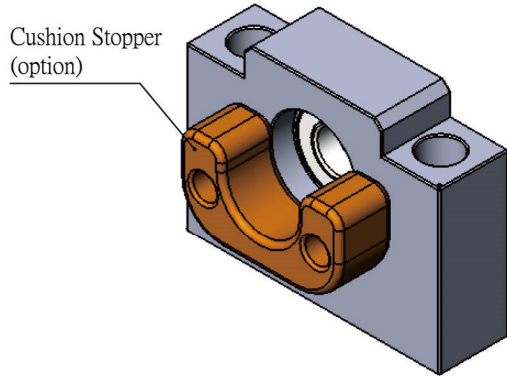
Unit : mm

Model No.	D1	W1	Y	L	D	H $\pm 0.02$	B	T	P	S	Q	E
MBH15-D	50	70	M5	88	40	30	70	35	54	6.6	11	23
MBH15-DP			M4									
MBH15-E	70	90	M6	95	40	45	95	47.5	70	9	14	22
MBH15-EP			M5									
※ MBH15H-EP			M5		50							

Model No.	E1	P1	M	C	C1	M1	P2	F	Weight (Kgs)	Support unit		Suggest Coupling
										Fixed-side	Supported-side	
MBH15-D	50	-	M4	33	30	M3	61.5	5	-	FK 15	HF 15	SGS 34C SGS 40C
MBH15-DP												
MBH15-E	60	94.6	M4	34	36	M3	61.5	6	-	FK 15	HF 15H	SGS 45C SGS 50C
MBH15-EP												
※ MBH15H-EP						-	-	-	-	-	-	-

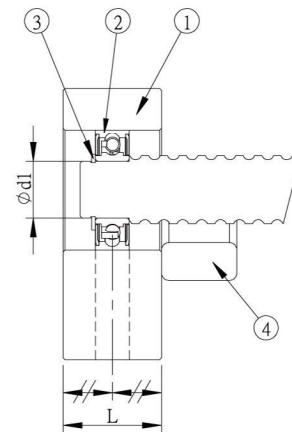
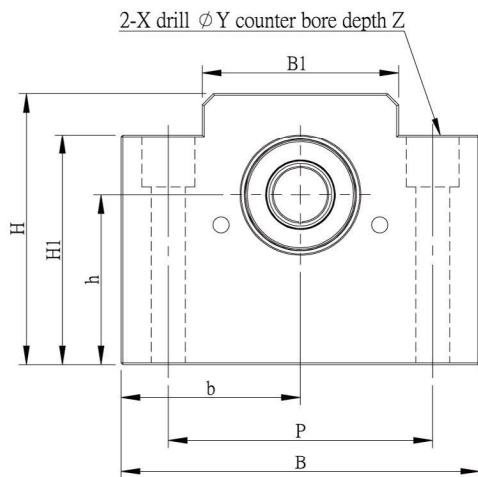
※Under development

Pattern : HF15H



No.	Part name	Qty
1	Housing	1
2	Bearing	1 set
3	Snap ring	1
4	Cushion Stopper (option)	1

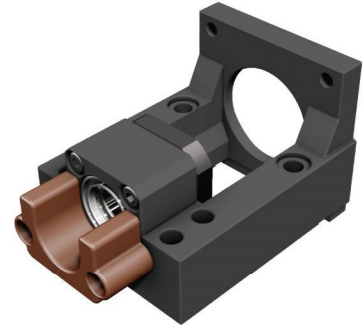
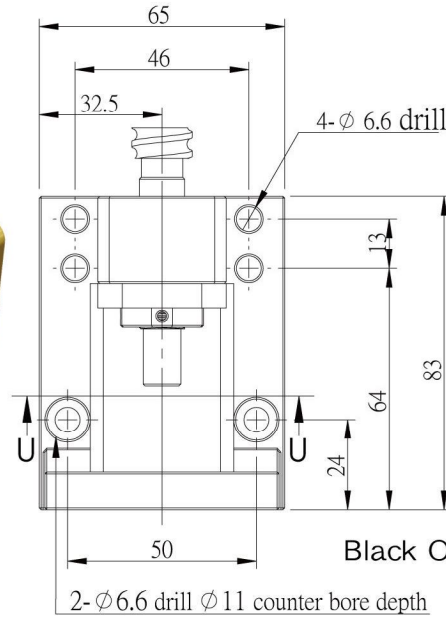
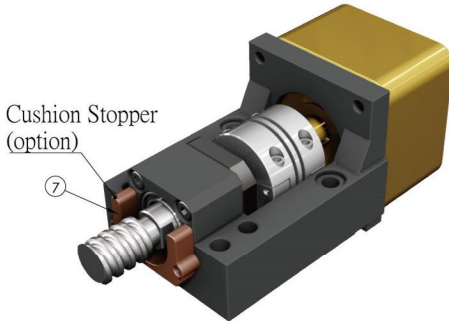
HF



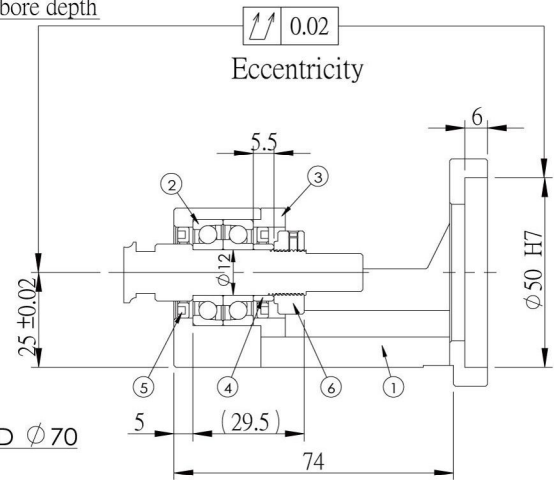
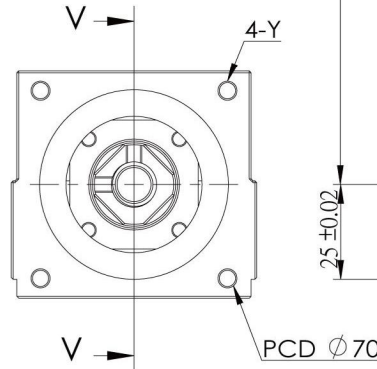
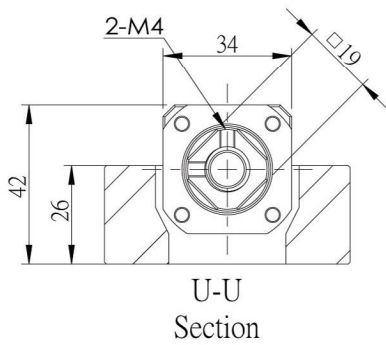
Unit : mm

Model No.	Shaft diameter d1	L	B	H	b ±0.02	h ±0.02	B1	H1	P	X	Y	Z	Bearing	Snap ring	Weight (Kgs)
HF15	15	20	70	50	35	30	41	40	60	6.6	12	10	6002ZZ	S 15	0.34
HF15H	15	26	95	72	47.5	45	52	61	70	9	14	14	6002ZZ	S 15	-

# Motor Bracket MBCB12



Surface treatment:  
Black Oxide / Electroless Nickel Plating



Unit : mm

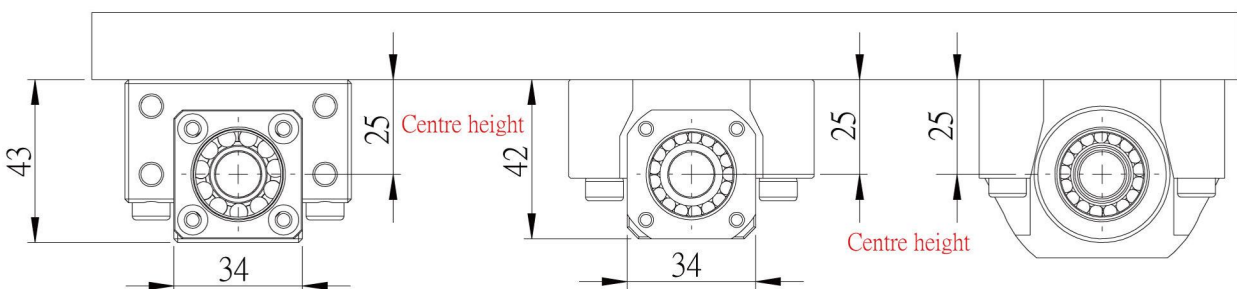
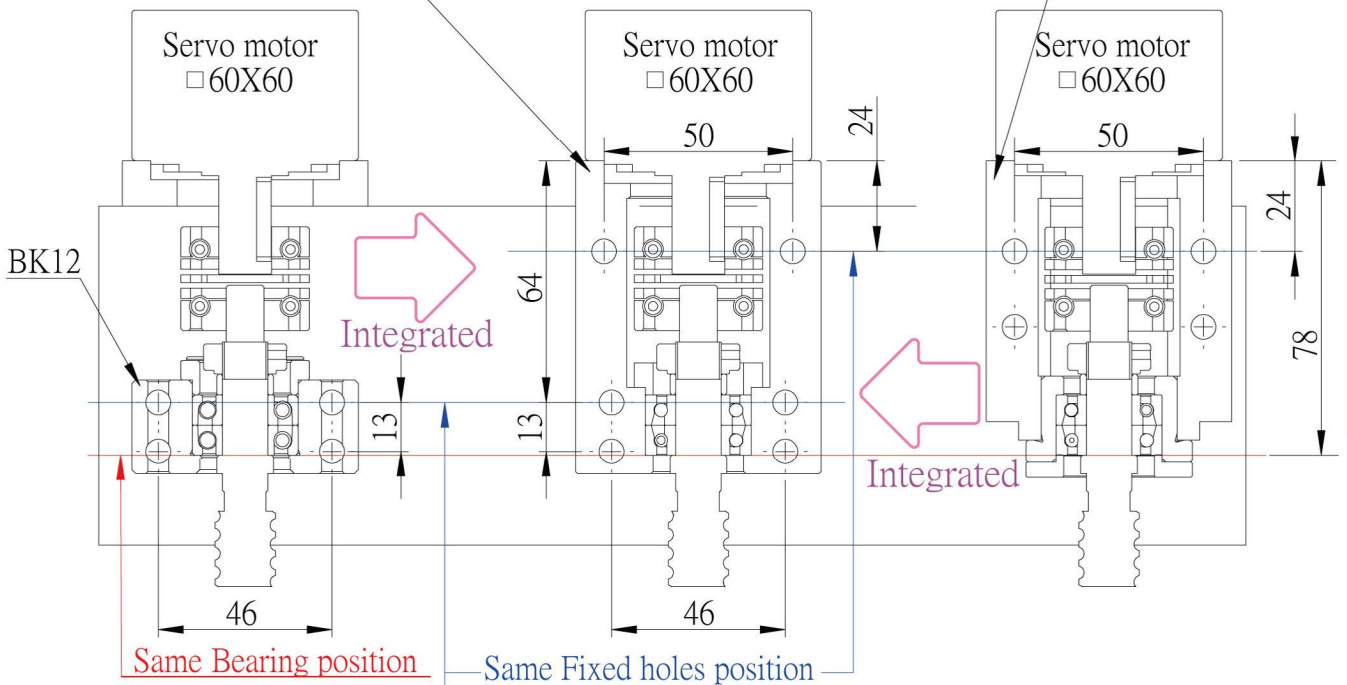
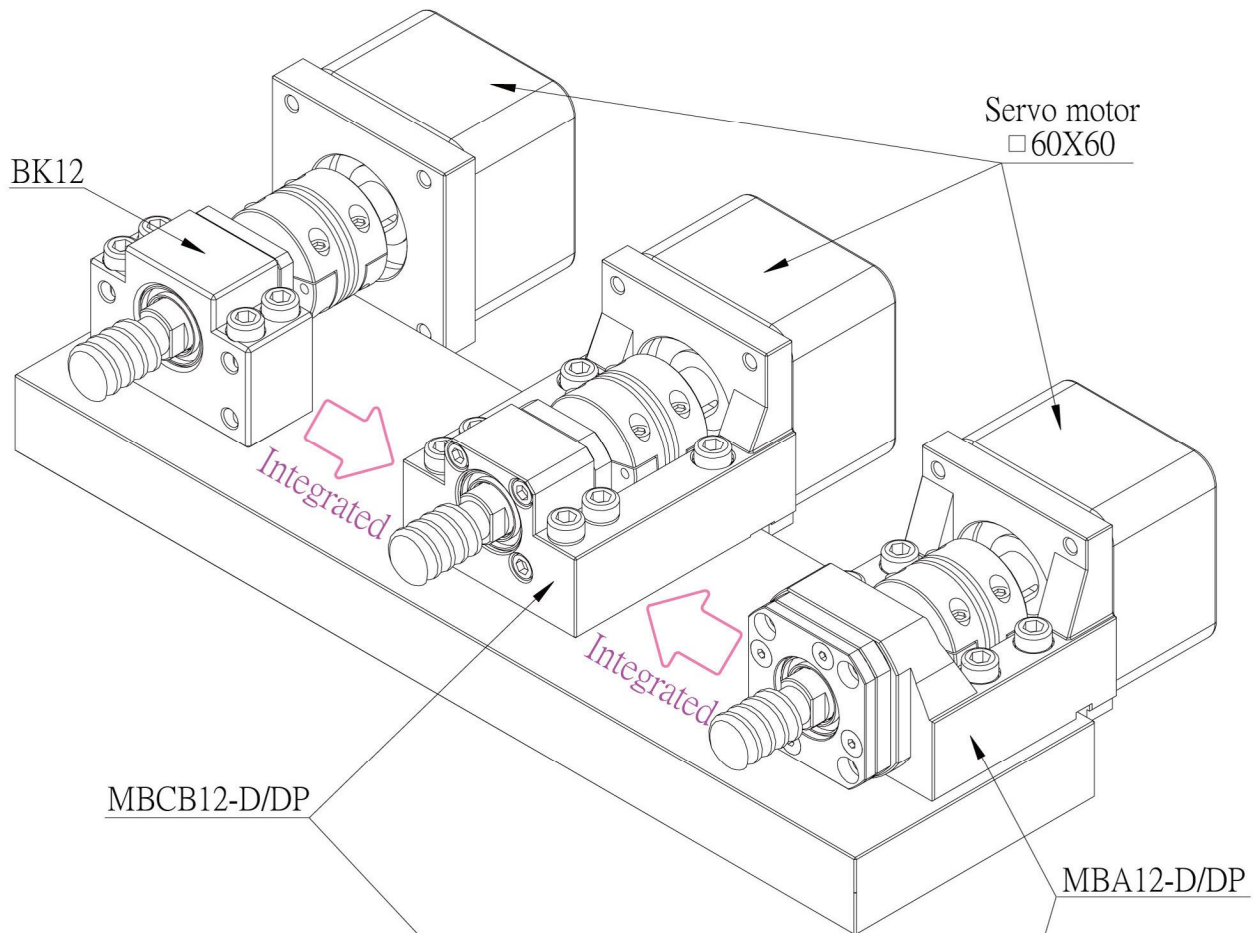
No.	Part name	Qty
1	Housing	1
2	7001A Bearing	1 set
3	Holding lid	1
4	Collar	2
5	Seal	2
6	Lock nut	1set
7	Cushion Stopper (option)	1

Model No.	Y	Weight (Kgs)	Support unit	Suggest Coupling
			Supported-side	
MBCB12-D	M5	0.8	BF12	SGS 34C
MBCB12-DP	M4			

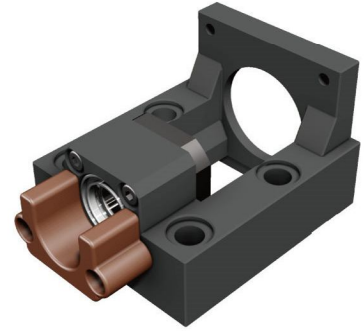
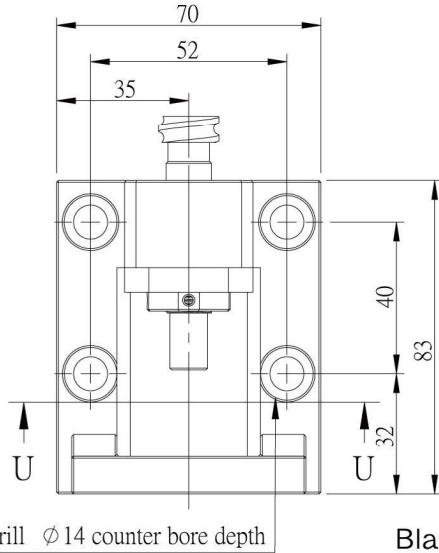
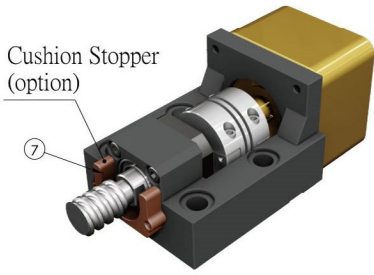
Note :

1. Bearings made preload , and axial clearance is 0 mm.
2. DF type, P5 grade preloaded duplex angular contact ball bearing suitable for ballscrew use.

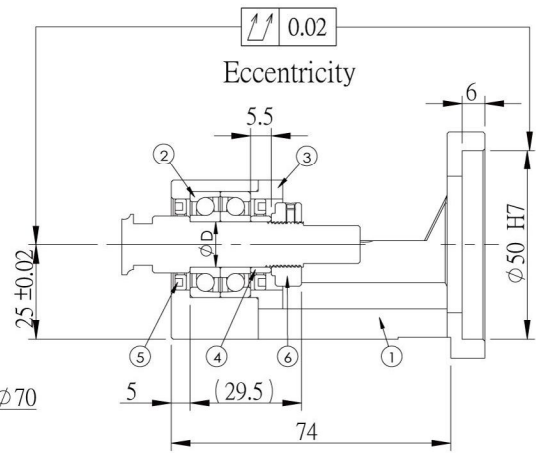
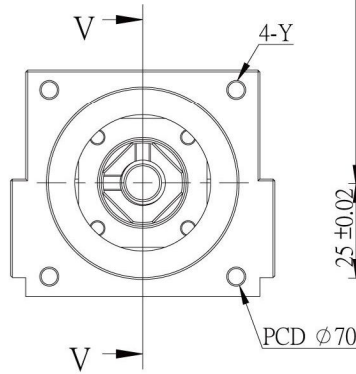
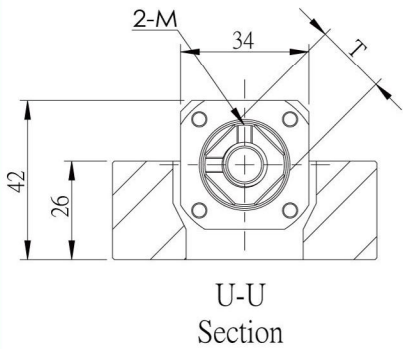
Without Change, directly update.



# Motor Bracket MBCE10/12



Surface treatment:  
Black Oxide / Electroless Nickel Plating



No.	Part name	Qty
1	Housing	1
	Bearing	
2	MBCE10 with bearings 7000 MBCE12 with bearings 7001	1 set
3	Holding lid	1
4	Collar	2
5	Seal	2
6	Lock nut	1set
7	Cushion Stopper (option)	1

Unit : mm

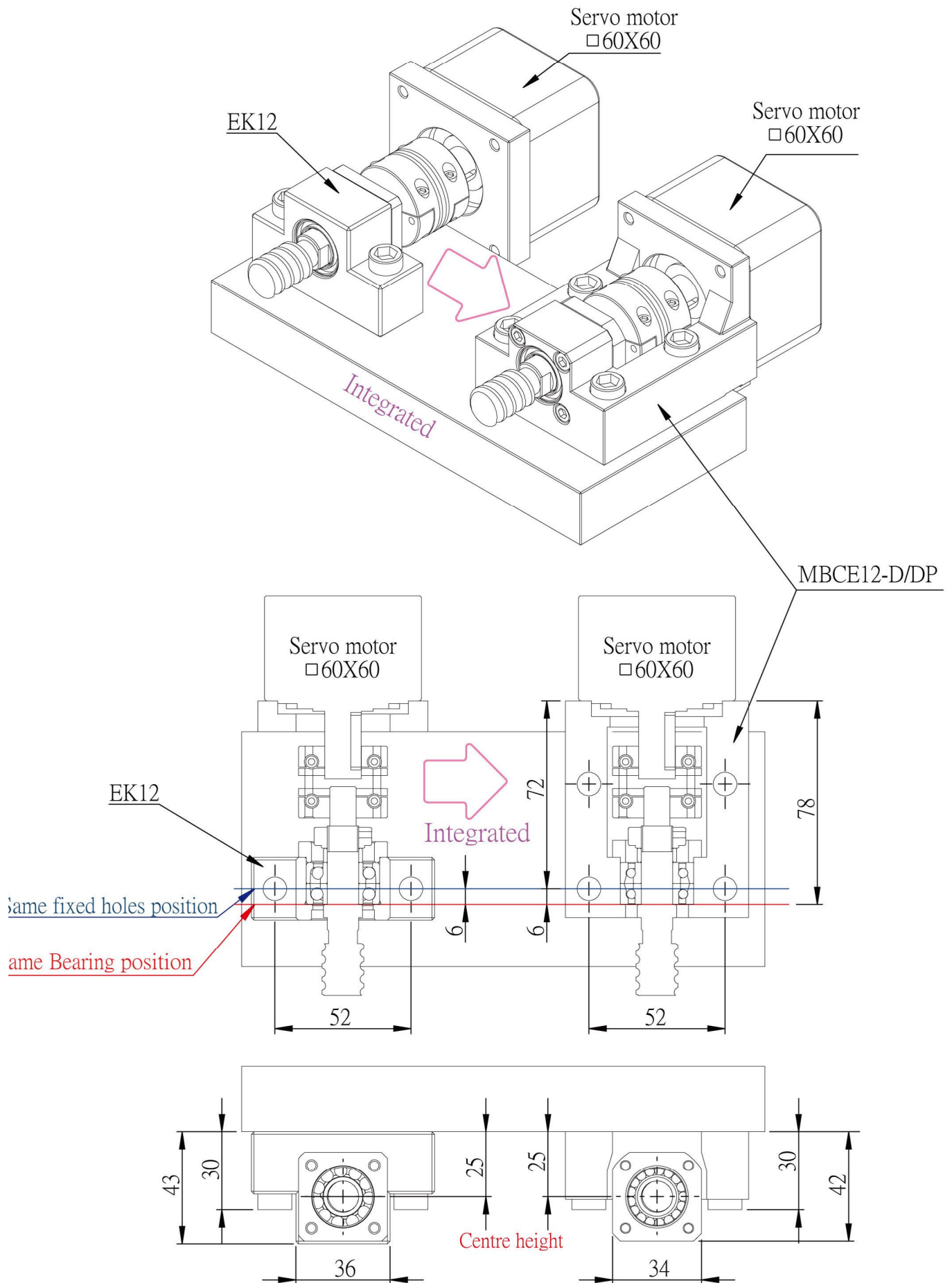
Model No.	φ D	T	M	Y	Weight (Kgs)	Support unit	Suggest Coupling
						Supported-side	
MBCE10-D	10	□16	M3	M5	-	EF10 AF 10	SGS 34C
MBCE10-DP				M4	-		
MBCE12-D	12	□19	M4	M5	0.84	EF12 AF 12	
MBCE12-DP				M4	0.86		

Note :

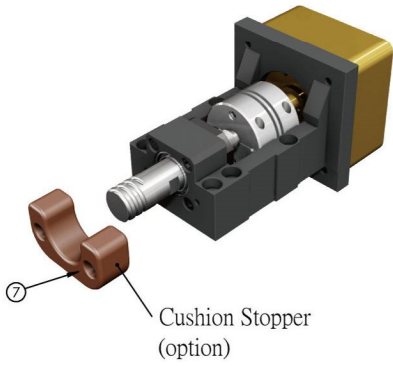
1. Bearings made preload , and axial clearance is 0 mm.
2. DF type, P5 grade preloaded duplex angular contact ball bearing suitable for ballscrew use.



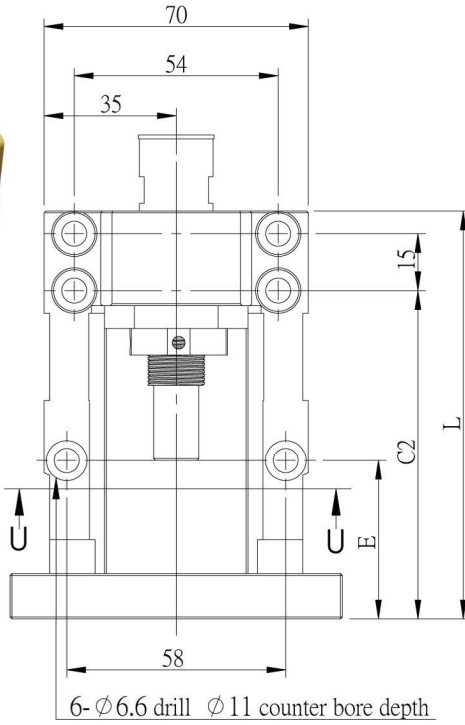
Without Change, directly update.



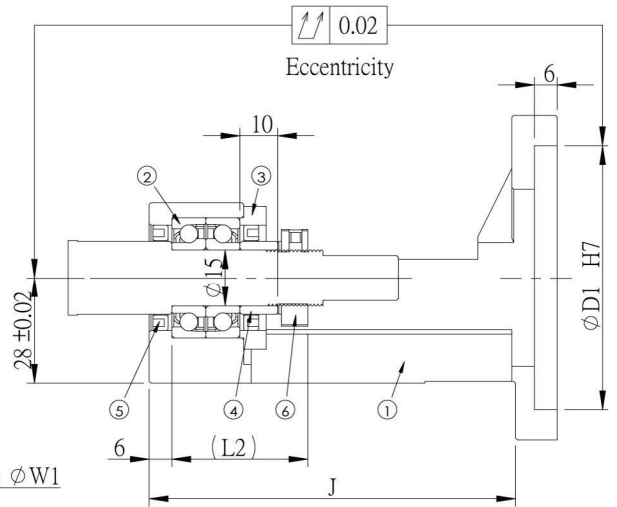
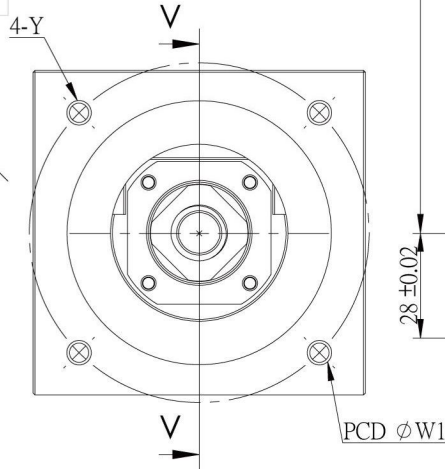
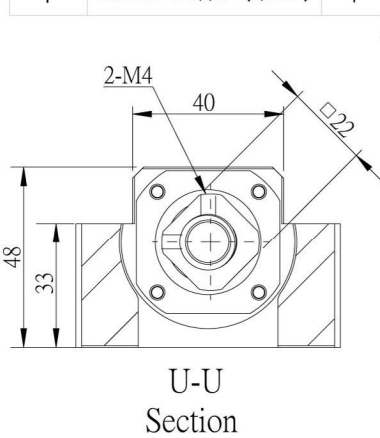
# Motor Bracket MBCB15



No.	Part name	Qty
1	Housing	1
2	MBCB15 Bearing 7002	1set
	MBCB15M Bearing 7202	
3	Holding lid	1
4	Collar thin thickness 10	1
	Collar thin thickness 6	2
5	Seal	2
6	Lock nut	1set
7	Cushion Stopper (option)	1



Surface treatment:  
Black Oxide /  
Electroless Nickel Plating



Unit : mm

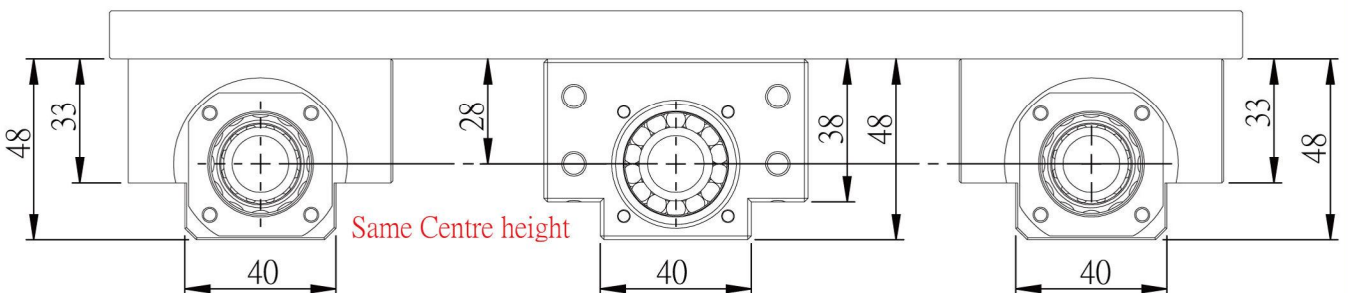
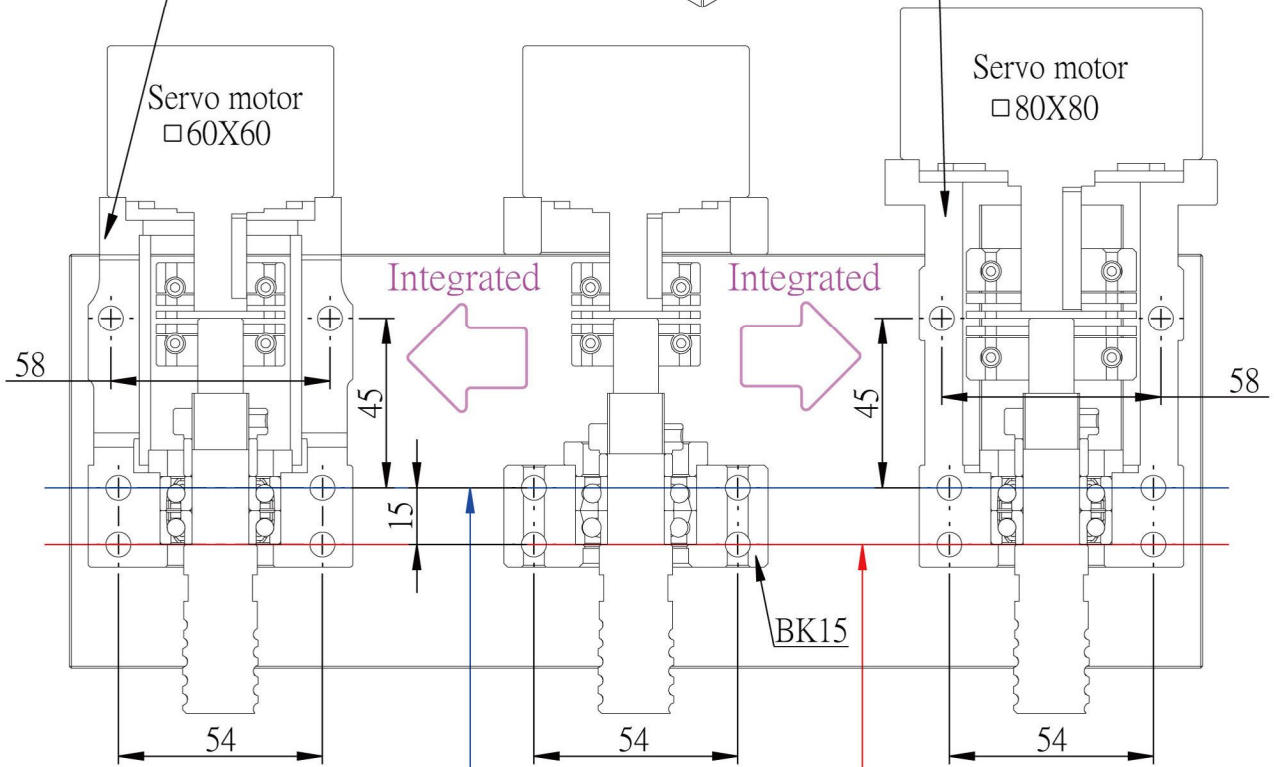
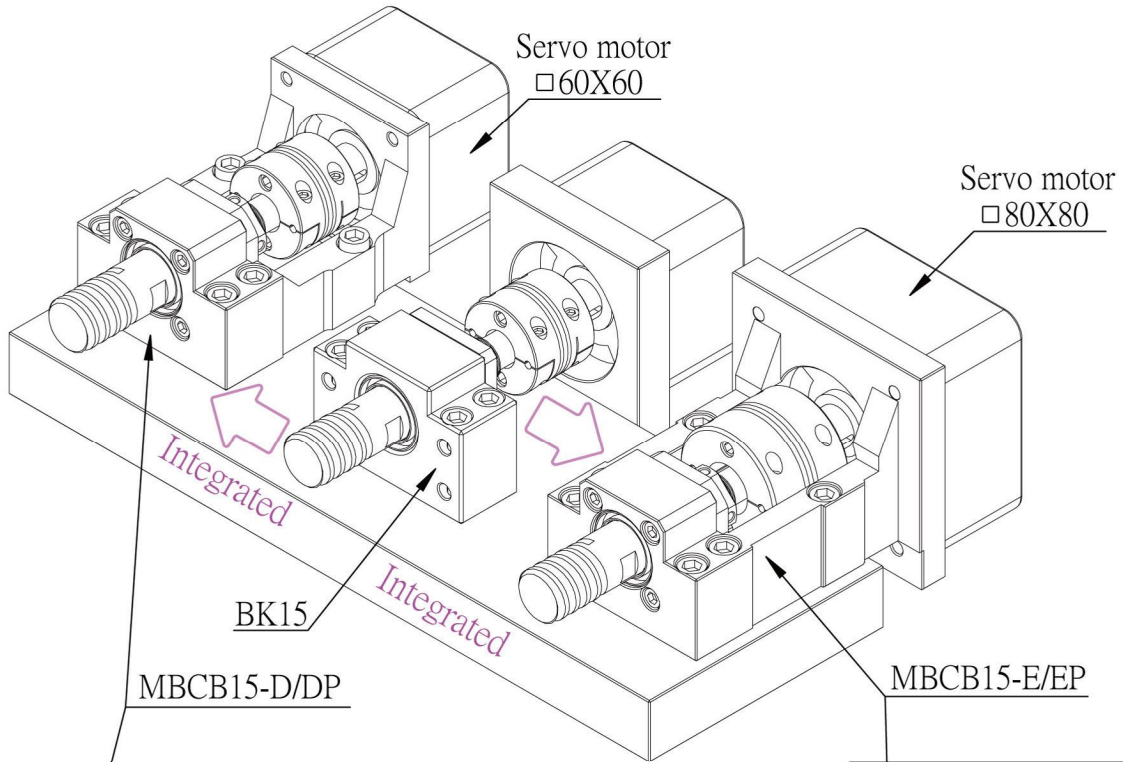
Model No.	D1	W1	Y	L	L2	E	C2	J	Weight (Kgs)	Support unit	Suggest Coupling
										Supported-side	
MBCB15-D	50	70	M5	98	36	32	77	89	0.98	BF15	SGS 34C SGS 40C
MBCB15-DP			M4								
MBCB15-E	70	90	M6	108	42	87	97	1.39			
MBCB15-EP			M5								
MBCB15M-E			M6	110	40	44	89	99	-		
MBCB15M-EP			M5								

Note :

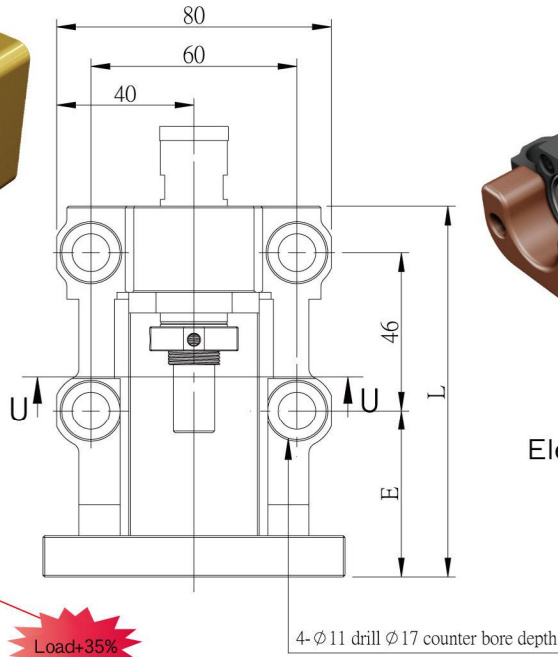
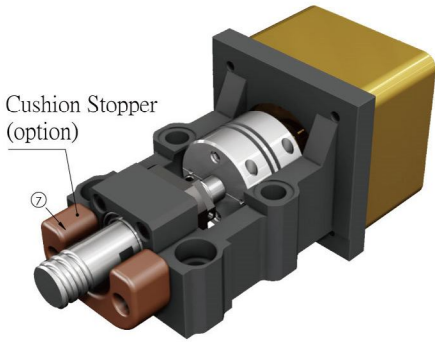
1. Bearings made preload , and axial clearance is 0 mm.

2. DF type, P5 grade preloaded duplex angular contact ball bearing suitable for ballscrew use.

Without Change, directly update.

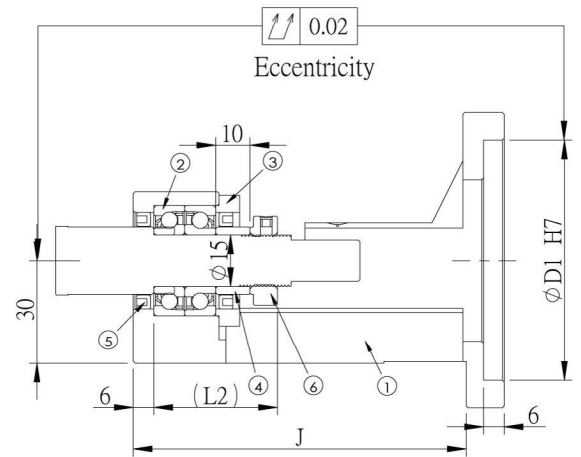
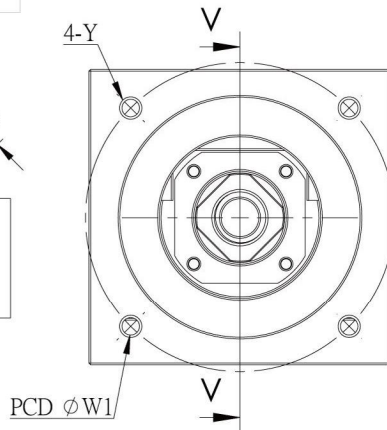
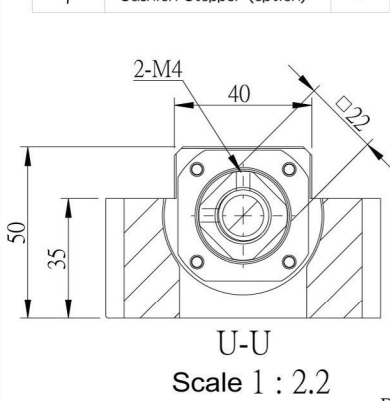


# Motor Bracket MBCE15



Surface treatment:  
Black Oxide /  
Electroless Nickel Plating

No.	Part name	Qty
1	Housing	1
2	Bearing MBCE15 with bearings 7002 MBCE15M with bearings 7202	1 set
3	Holding lid	1
4	Collar	2
5	Seal	2
6	Lock nut	1set
7	Cushion Stopper (option)	1



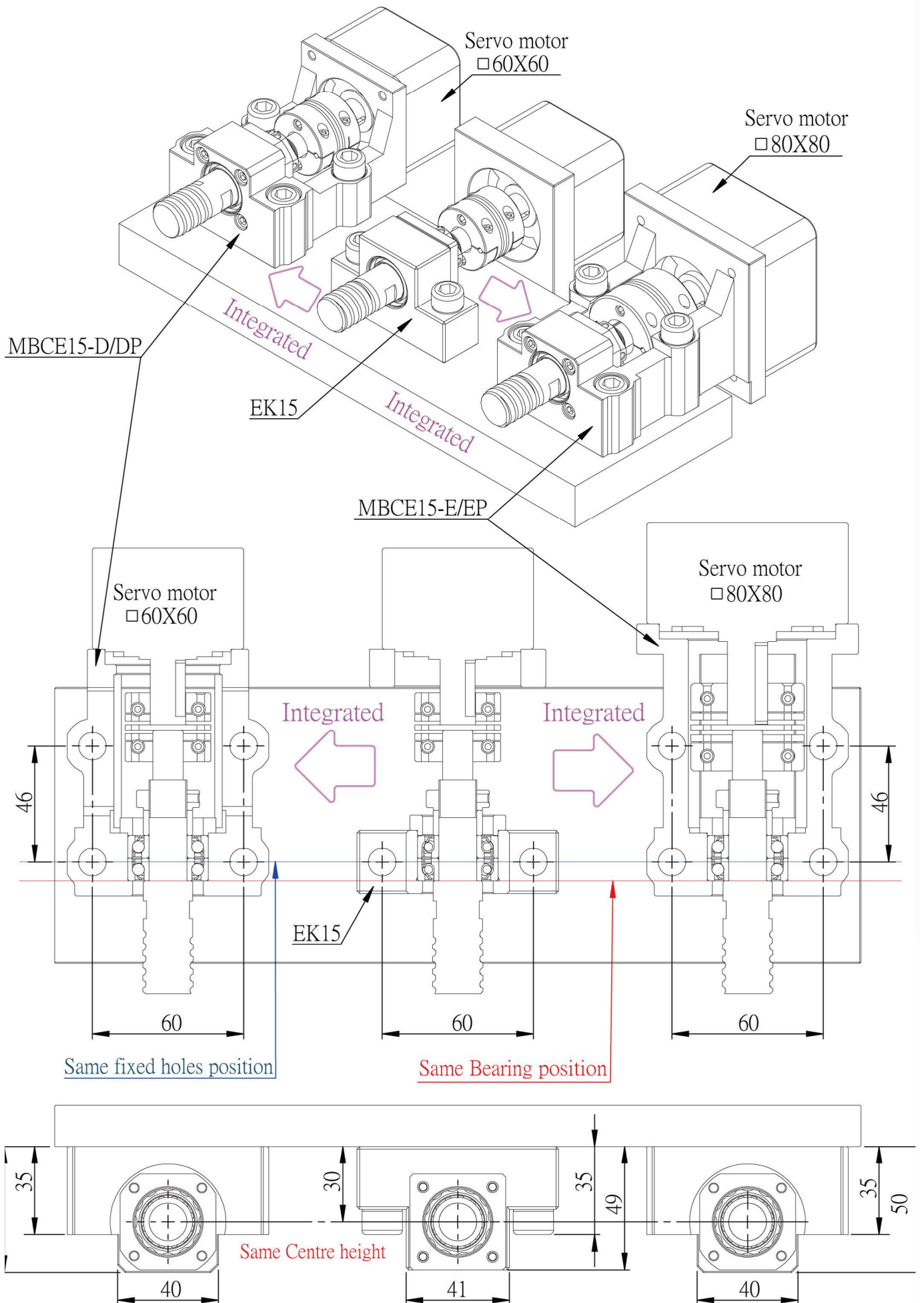
Unit : mm

Model No.	D1	W1	Y	L	L2	E	J	Weight (Kgs)	Support unit	Suggest Coupling
									Supported-side	
MBCE15-D	50	70	M5	98	36	38.5	平底	1.09		SGS 34C SGS 40C
MBCE15-DP			M4							
MBCE15-E	70	90	M6	108	40	48.5	97	1.52	EF 15 AF 15	SGS 40C SGS 45C
MBCE15-EP			M5							
MBCE15M-E			M6	110	40	50.5	99	-		
MBCE15M-EP			M5							

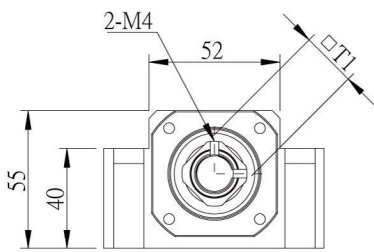
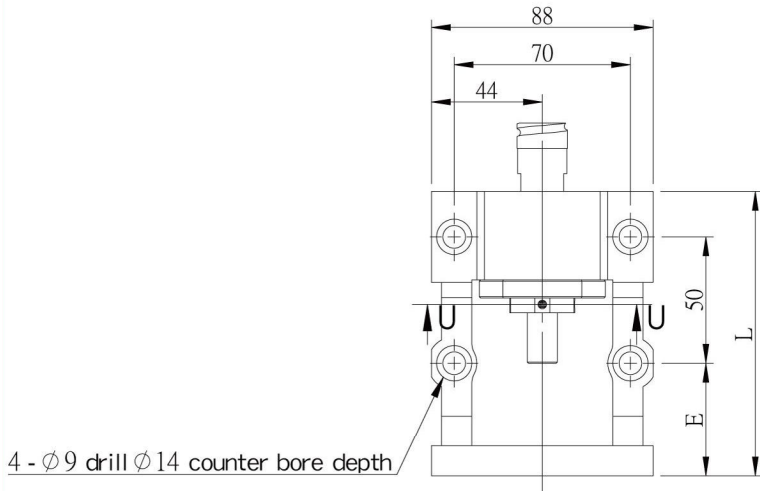
Note :

1. Bearings made preload , and axial clearance is 0 mm.
2. DF type, P5 grade preloaded duplex angular contact ball bearing suitable for ballscrew use.

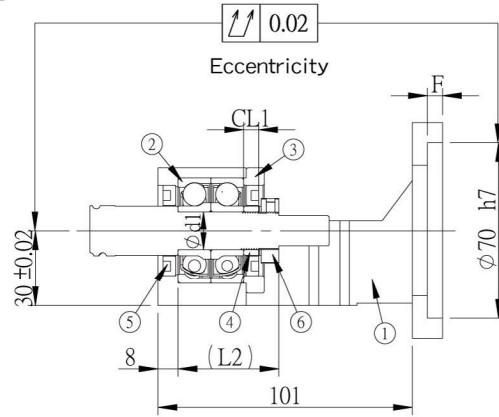
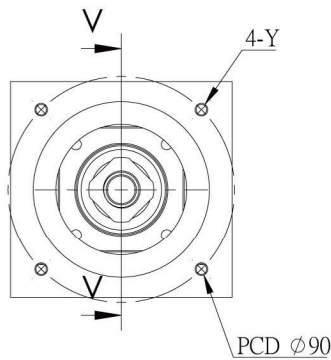
Without Change, directly update.



# Motor Bracket MBCA15 ~ 20



Section U-U  
Scale 1 : 3

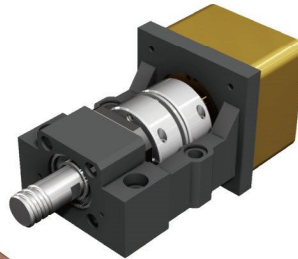


Section V-V  
Scale 1 : 3

No.	Part name	Qty
1	Housing	1
2	Bearing MBCA15 (7302A) MBCA20 (7004A)	1 set
3	Holding lid	1
4	Collar	2
5	Seal	2
6	Lock nut	1set
7	Cushion Stopper (option)	1



Cushion Stopper  
(option)



Unit : mm

Model No.	Y	L	Shaft diameter d1	CL1	L2	E	F	T1	Weight (Kgs)	Support unit / Supported-side	Suggest Coupling
MBCA15-E	M6	115	15	6	40	47	8	22	-	AK15 / AF15	SGB 50C
MBCA15-EP	M5	113				45	6		-		
MBCA20-E	M6	115	20	8	43	47	8	30	-	AK20 / AF20	SGS 50C
MBCA20-EP	M5	113				45	6		-		

Note :

1. Bearings made preload , and axial clearance is 0 mm.
2. DF type, P5 grade preloaded duplex angular contact ball bearing suitable for ballscrew use.

# Illustration for MBCA15

## Fixed+Fixed

Pattern : Servo motor  
Yaskawa SGMAH-08A  
Mitsubishi HF-KP73  
HF-MP73  
SANYO P30B08075  
DELTA C10807  
HIWIN FRMS750W  
□80x80

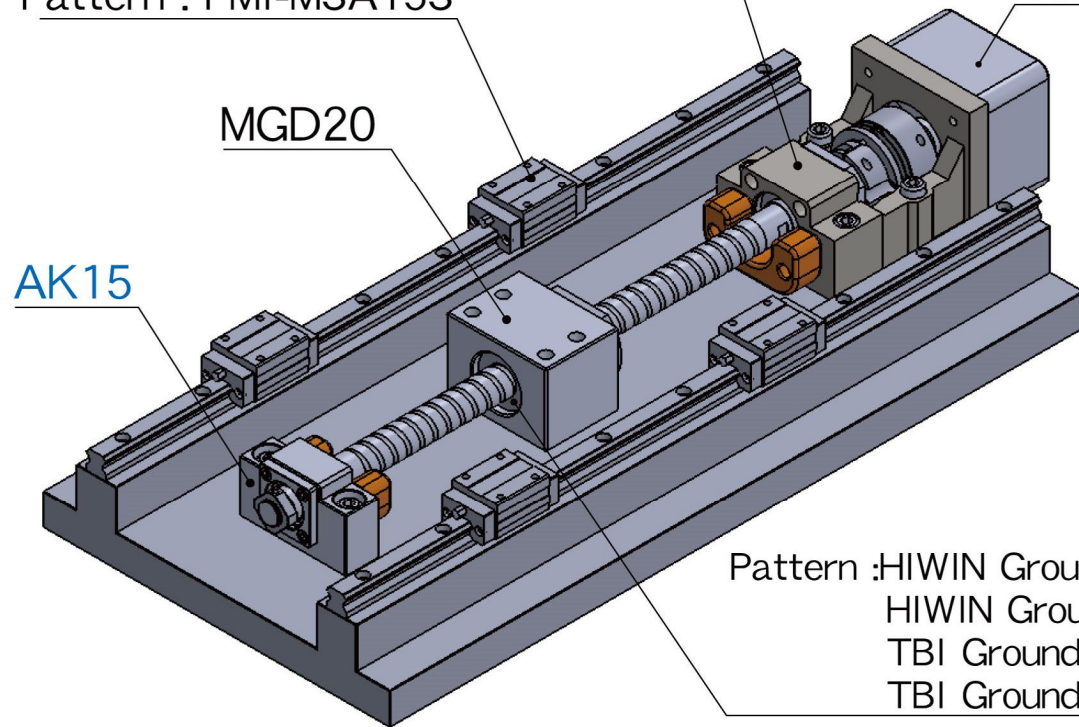
### MBCA15-E(Heavy-load)

Pattern : PMI-MSA15S

MGD20

AK15

Pattern :HIWIN Grounded FSC20  
HIWIN Grounded FDC20  
TBI Grounded SFS20  
TBI Grounded DFS20



## Fixed+Supported

Pattern : Servo motor  
Panasonic MSMA082  
□80x80

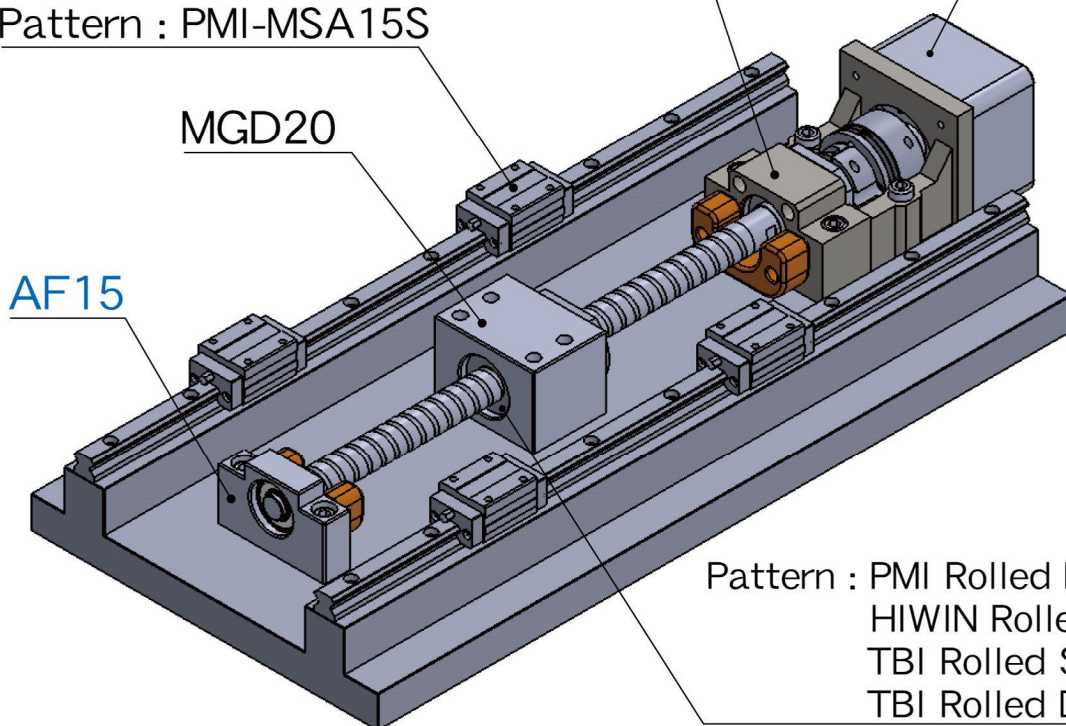
### MBCA15-EP(Heavy-load)

Pattern : PMI-MSA15S

MGD20

AF15

Pattern : PMI Rolled FSIN20  
HIWIN Rolled FS120  
TBI Rolled SFU20  
TBI Rolled DFU20



# Illustration for MBCA20

## Fixed+Fixed

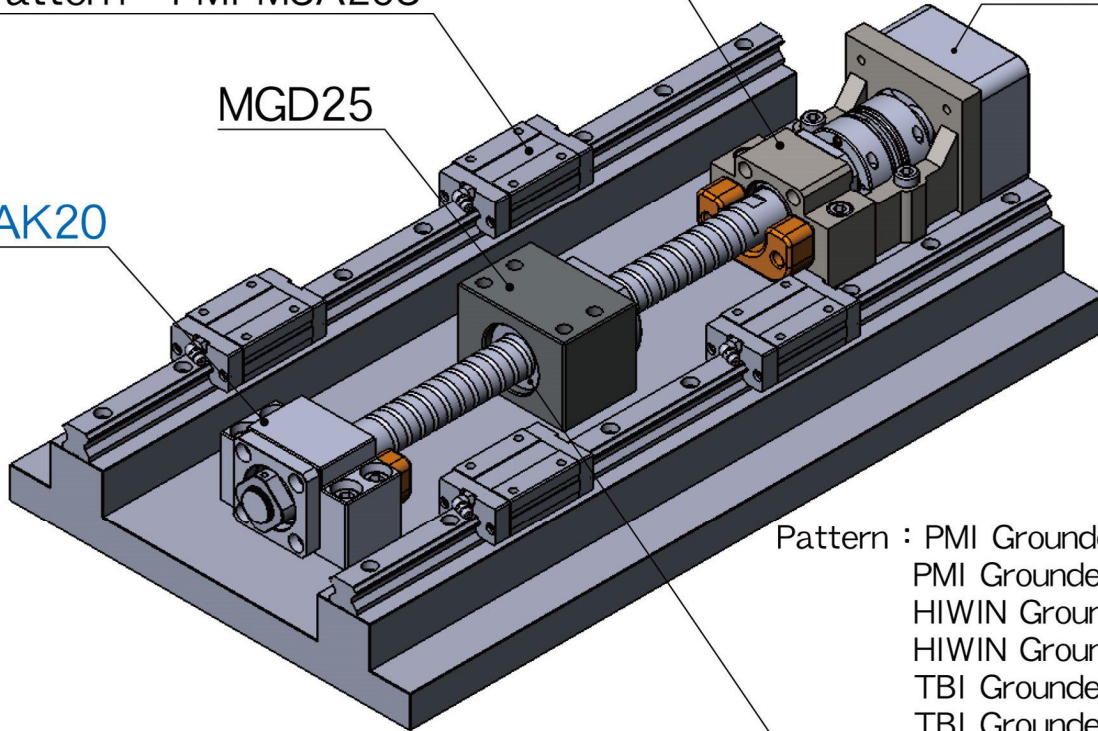
Pattern : Servo motor  
Yaskawa SGMAH-08A  
Mitsubishi HF-KP73  
HF-MP73  
SANYO P30B08075  
DELTA C10807  
HIWIN FRMS750W  
□80x80

Pattern : PMI-MSA20S

MBCA20-E

MGD25

AK20



Pattern : PMI Grounded FDDC25  
PMI Grounded FSDC25  
HIWIN Grounded FSC25  
HIWIN Grounded FDC25  
TBI Grounded SFS25  
TBI Grounded DFS25

## Fixed+Supported

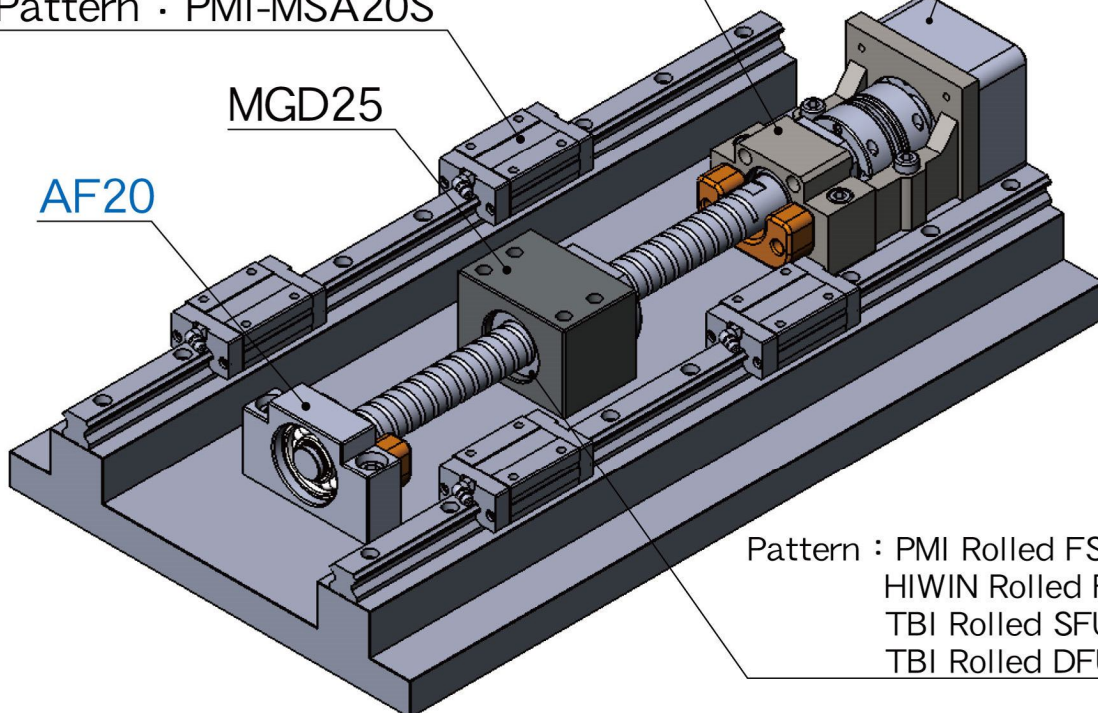
Pattern : Servo motor  
Panasonic MSMA082  
□80x80

Pattern : PMI-MSA20S

MBCA20-EP

MGD25

AF20

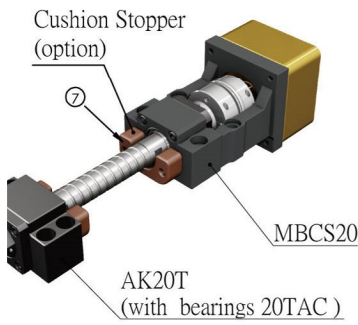


Pattern : PMI Rolled FSIN25  
HIWIN Rolled FSI25  
TBI Rolled SFU25  
TBI Rolled DFU25

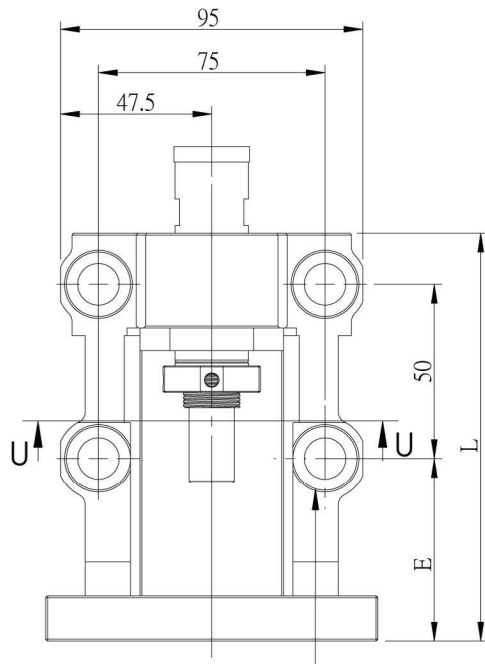
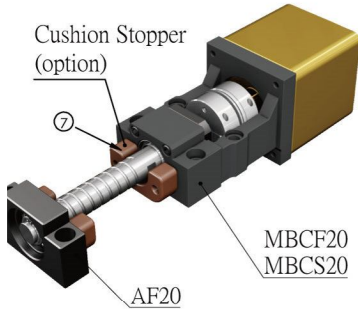


# Motor Bracket MBCS15~20 / MBCF20

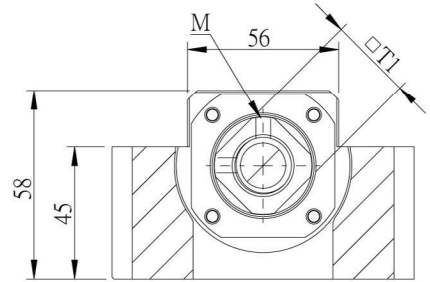
Fig→Fixed+Fixed



Fig→Fixed+Supported



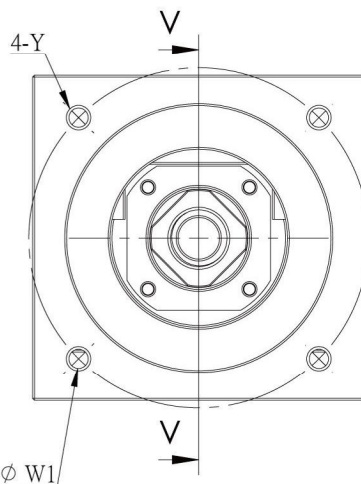
Surface treatment:  
Black Oxide / Electroless Nickel Plating



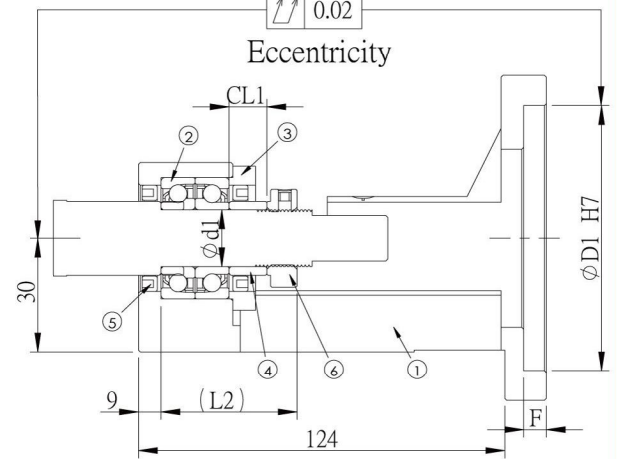
U-U Section

4-φ11 drill φ17 counter bore depth

No.	Part name	Qty
1	Housing	1
2	Bearing MBCS15 with bearings 15TAC MBCS17 with bearings 17TAC MBCF20 with bearings 7204 MBCS20 with bearings 20TAC	1set
3	Holding lid	1
4	Collar	2
5	Seal	2
6	Lock nut	1set
7	Cushion Stopper (option)	1



PCD φ W1



Unit : mm

Model No.	D1	W1	Y	L	Shaft diameter d1	CL1	L2	E	F	M	T1	Weight (Kgs)	Support unit Supported-side	Suggest Coupling
MBCS15-X	80	100	M6	140	15	9	47	70	8	2-M4	□22	-	AF 15 EF 15	SGS 50C
MBCS15-Y	95	115	M8	141				71						SGS 50C
MBCS15-YP			M6	141				71						SGS 57C
MBCS15-S	110	130	M8	151				81						SGL 57C
MBCS15-G		145	M8	153	83	10	SGS 57C							
MBCS17-X	80	100	M6	140	17	9	57	70	8	4-M6	φ36	-	-	SGS 50C
MBCS17-Y	95	115	M8	141				71						SGS 50C
MBCS17-YP			M6	141				71						SGS 57C
MBCS17-S	110	130	M8	151				81						SGL 57C
MBCS17-G		145	M8	153	83	10	SGS 57C							
MBCF20-X	80	100	M6	140	20	9	50	70	8	2-M4	□30	2.76 2.71 2.73 3.6 3.77	EF 20 AF 20	SGS 50C
MBCF20-Y	95	115	M8	141				71						SGS 50C
MBCF20-YP			M6	141				71						SGS 57C
MBCF20-S	110	130	M8	151				81						SGS 57C
MBCF20-G		145	M8	153	83	10	SGS 57C							
MBCS20-X	80	100	M6	140	20	9	57	70	8	4-M6	φ40	-	AK20T AF20 EF20	SGS 50C
MBCS20-Y	95	115	M8	141				71						SGS 50C
MBCS20-YP			M6	141				71						SGS 57C
MBCS20-S	110	130	M8	151				81						SGS 57C
MBCS20-G		145	M8	153	83	10	SGS 57C							

Note :

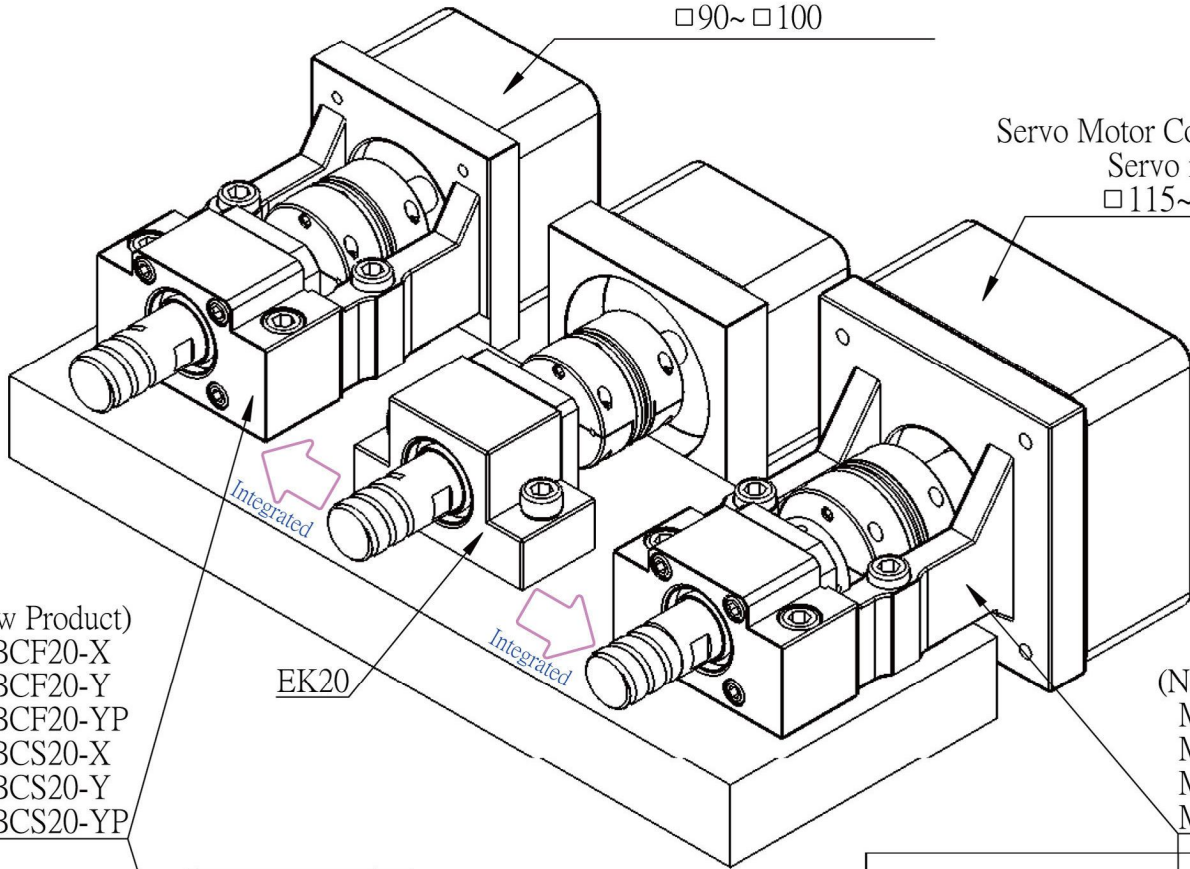
1. Bearings made preload , and axial clearance is 0 mm.

2. DF type, P4 grade preloaded duplex angular contact ball bearing suitable for ballscrew use.

# Illustration for MBC\_20

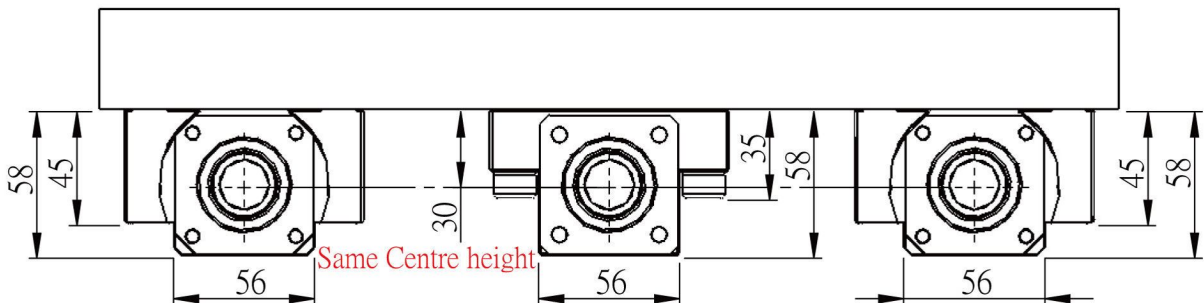
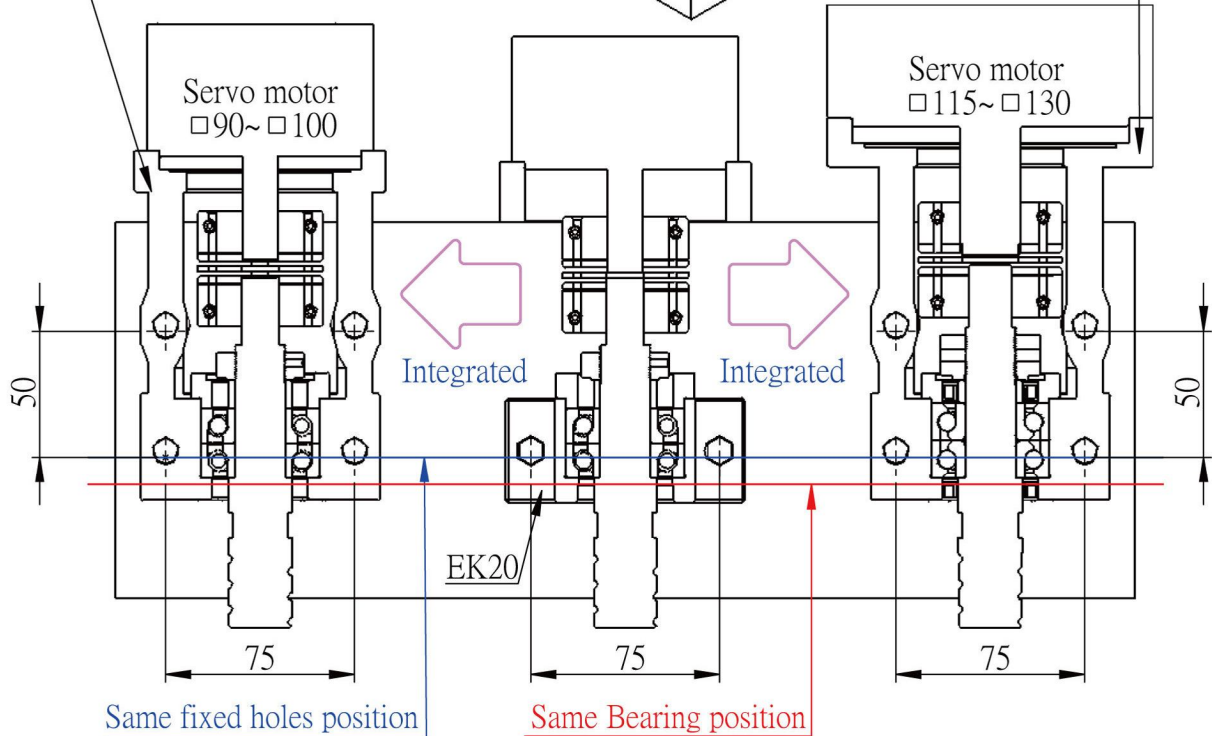
Servo Motor Code: X, Y, YP  
 Servo motor  
 □90~□100

Servo Motor Code : S、  
 Servo motor  
 □115~□130



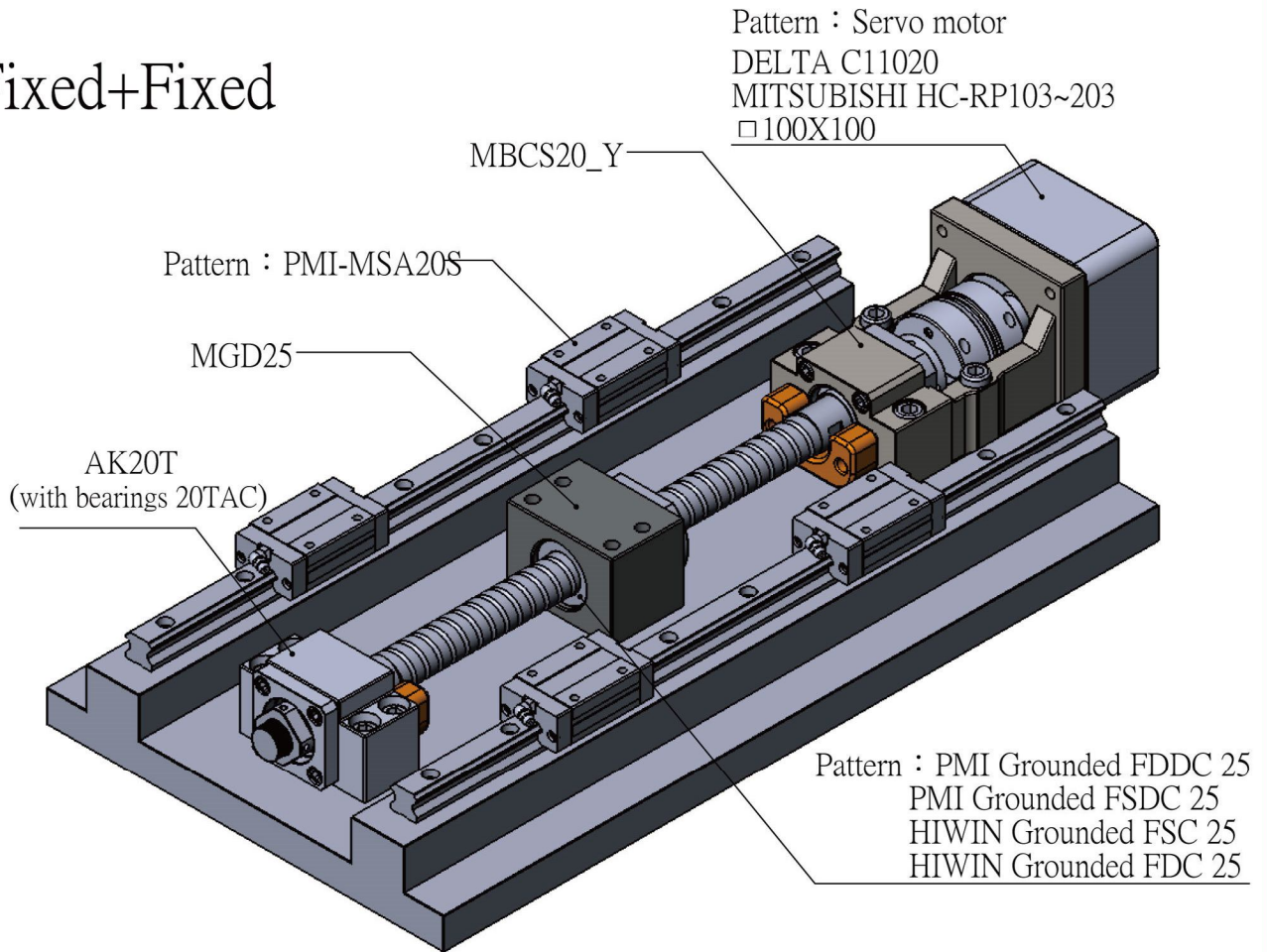
(New Product)  
 MBCF20-X  
 MBCF20-Y  
 MBCF20-YP  
 MBCS20-X  
 MBCS20-Y  
 MBCS20-YP

(New Product)  
 MBCS20-S  
 MBCF20-S  
 MBCF20-S

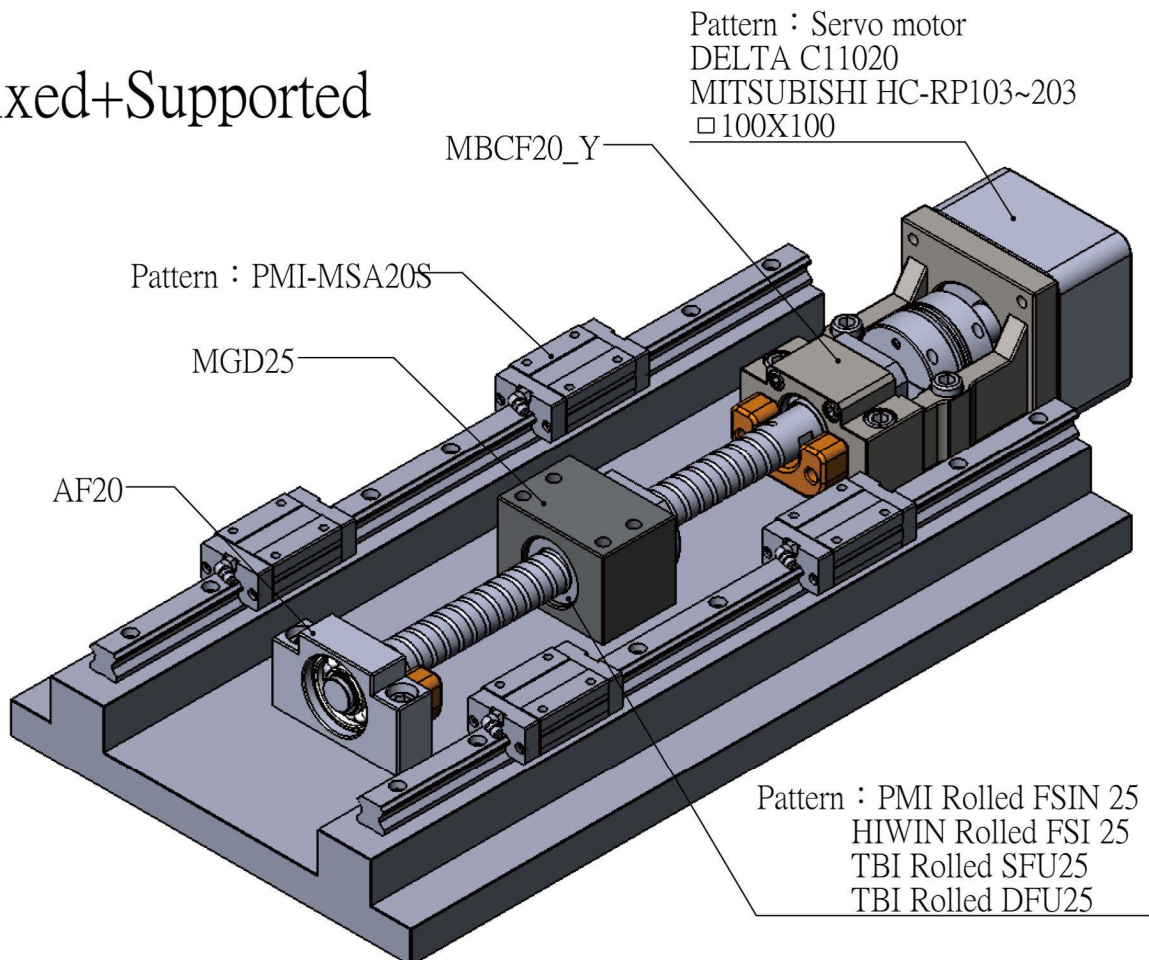


# Illustration for MBC\_20

## Fixed+Fixed

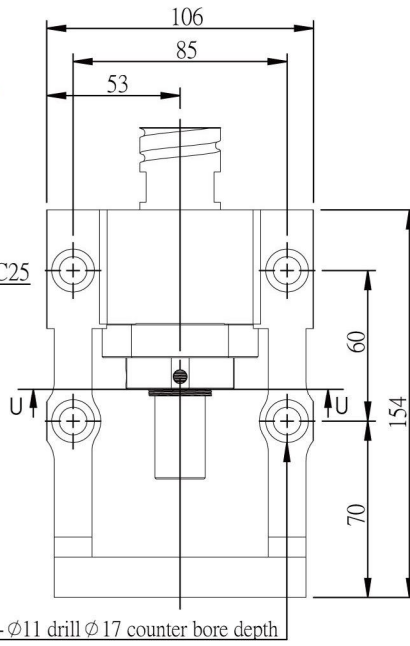
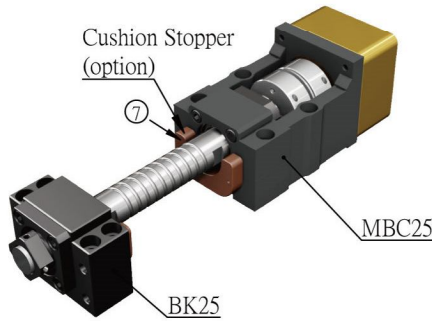


## Fixed+Supported



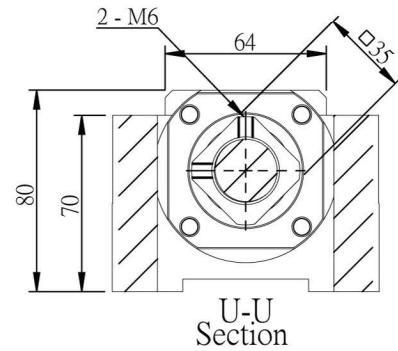
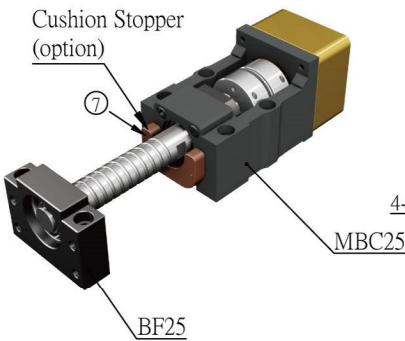
# Motor Bracket MBC25

Fig→Fixed+Fixed



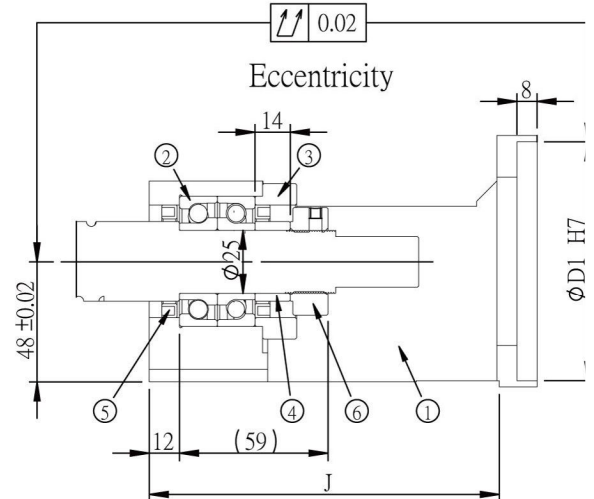
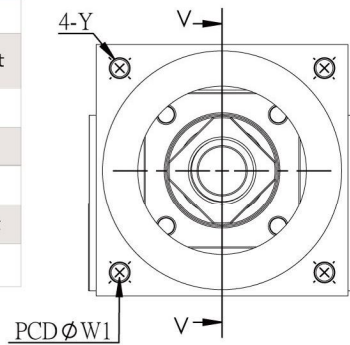
Surface treatment: Black Oxide

Fig→Fixed+Supported



U-U Section

No.	Part name	Qty
1	Housing	1
2	Bearing Bearing 7205	1 set
3	Holding lid	1
4	Collar	2
5	Seal	2
6	Lock nut	1set
7	Cushion Stopper (option)	1



Unit : mm

Model No.	D1	W1	Y	J	Weight (Kgs)	Support unit	Suggest Coupling
						Supported-side	
MBC25-X	80	100	M6	flat	-	BK25	SGS 57C SGS 65C
MBC25-Y	95	115	M8	139		BF25	
MBC25-YP			M6				

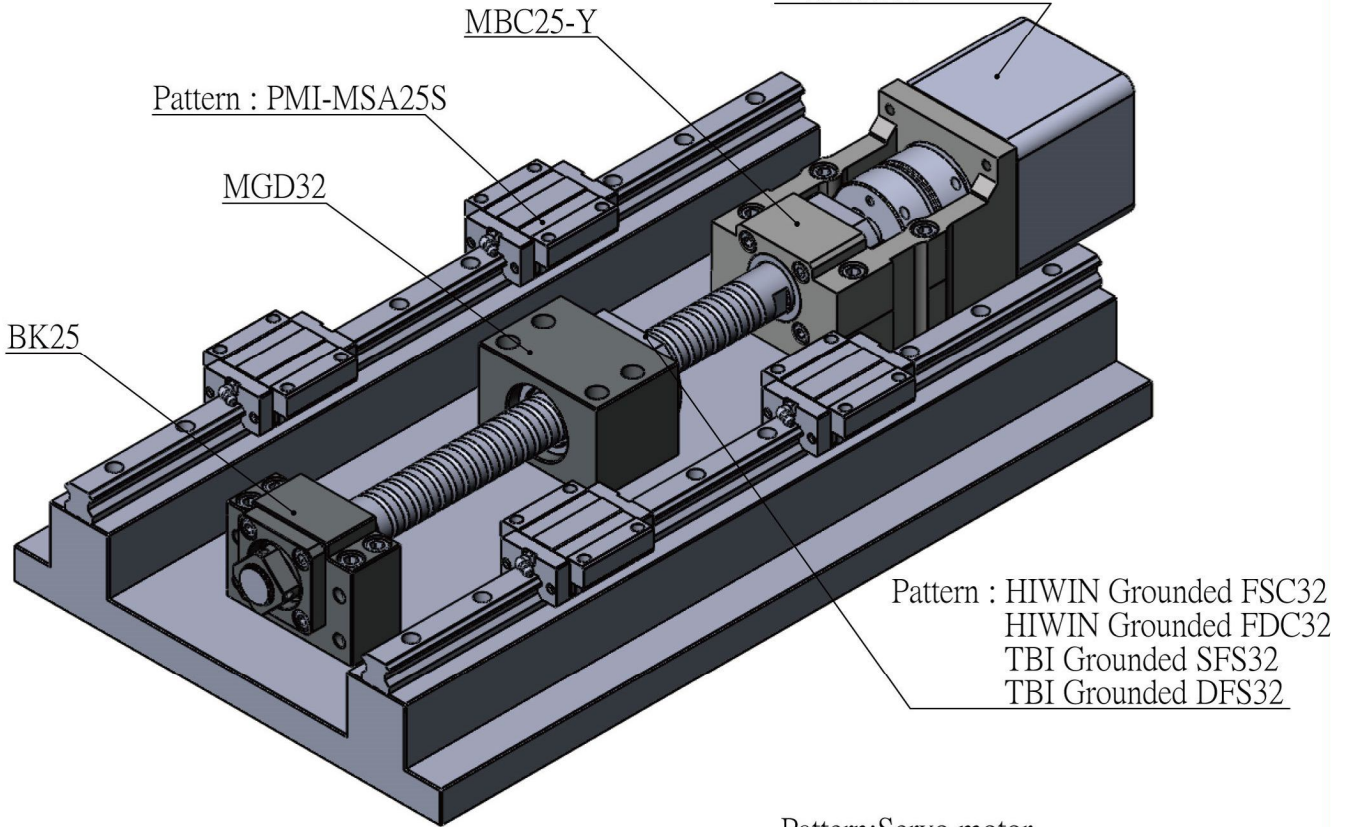
Note :

1. Bearings made preload , and axial clearance is 0 mm.
2. DF type, P5 grade preloaded duplex angular contact ball bearing suitable for ballscrew use.

# Illustration for MBC25

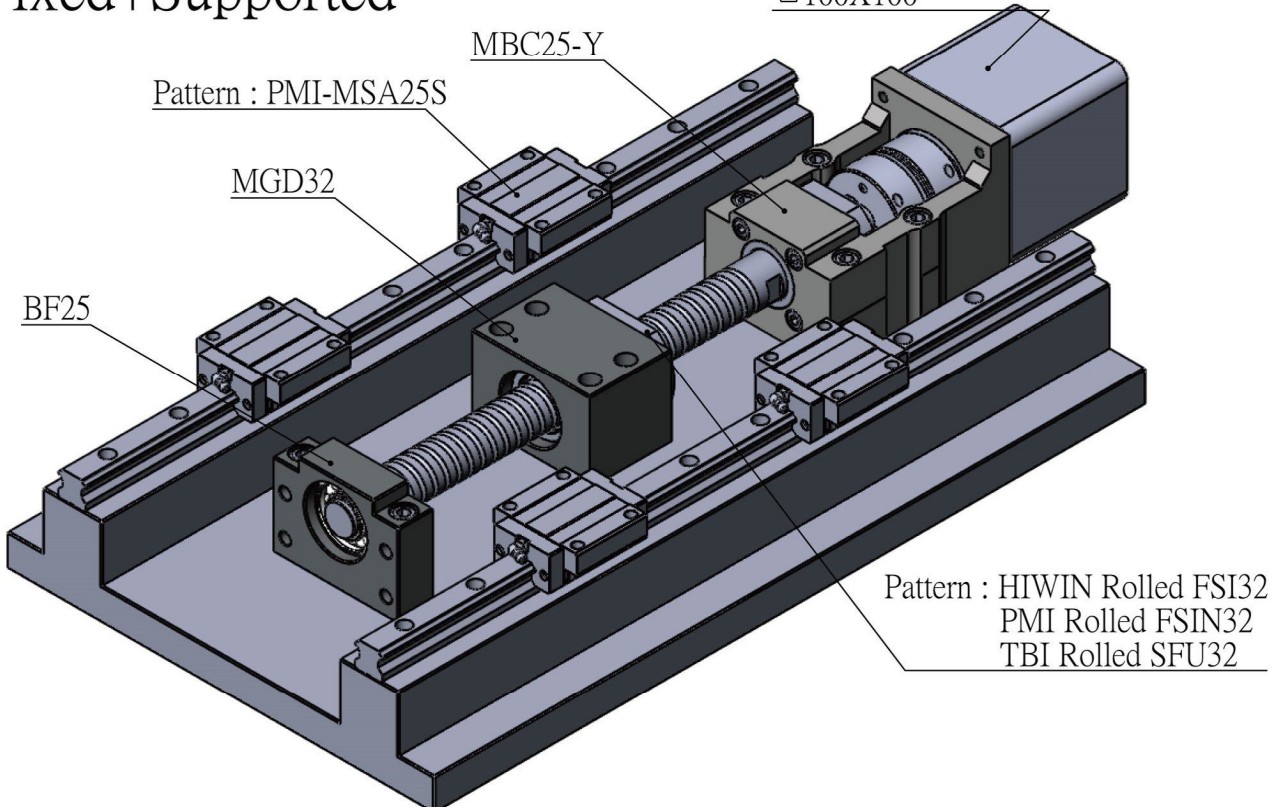
## Fixed+Fixed

Pattern: Servo motor  
DELTA C11020  
MITSUBISHI HC-RP103~203  
□100X100

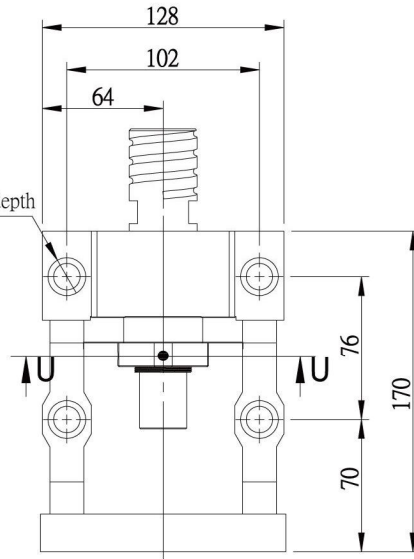
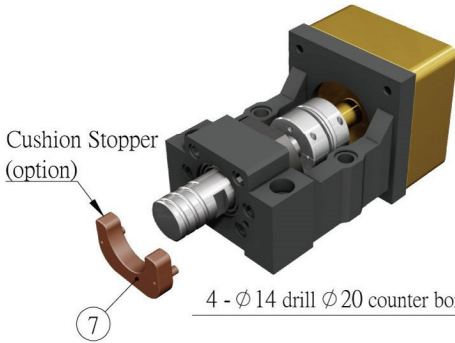


## Fixed+Supported

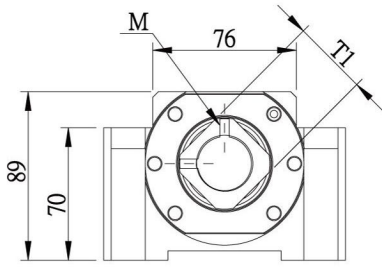
Pattern: Servo motor  
DELTA C11020  
MITSUBISHI HC-RP103~203  
□100X100



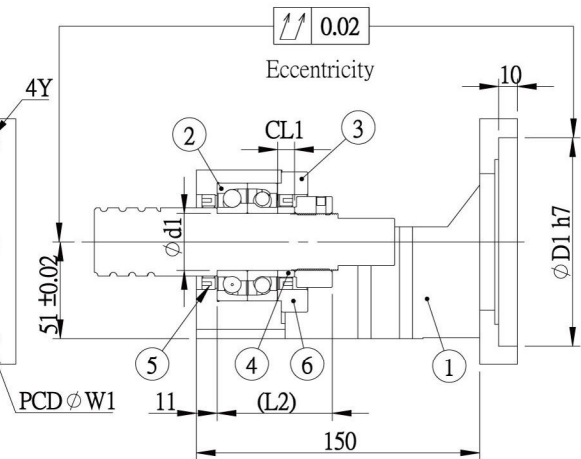
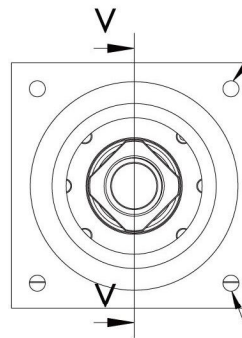
# Motor Bracket MBCS25 / MBC30



No.	Part name	Qty
1	Housing	1
2	Bearing	1 set
	MBCS25 with bearings 25TAC	
	MBCF30 with bearings 7206	
	MBCS30 with bearings 30TAC	
3	Holding lid	1
4	Collar	2
5	Seal	2
6	Lock nut	1set
7	Cushion Stopper (option)	1



Section U-U  
Scale 1 : 4



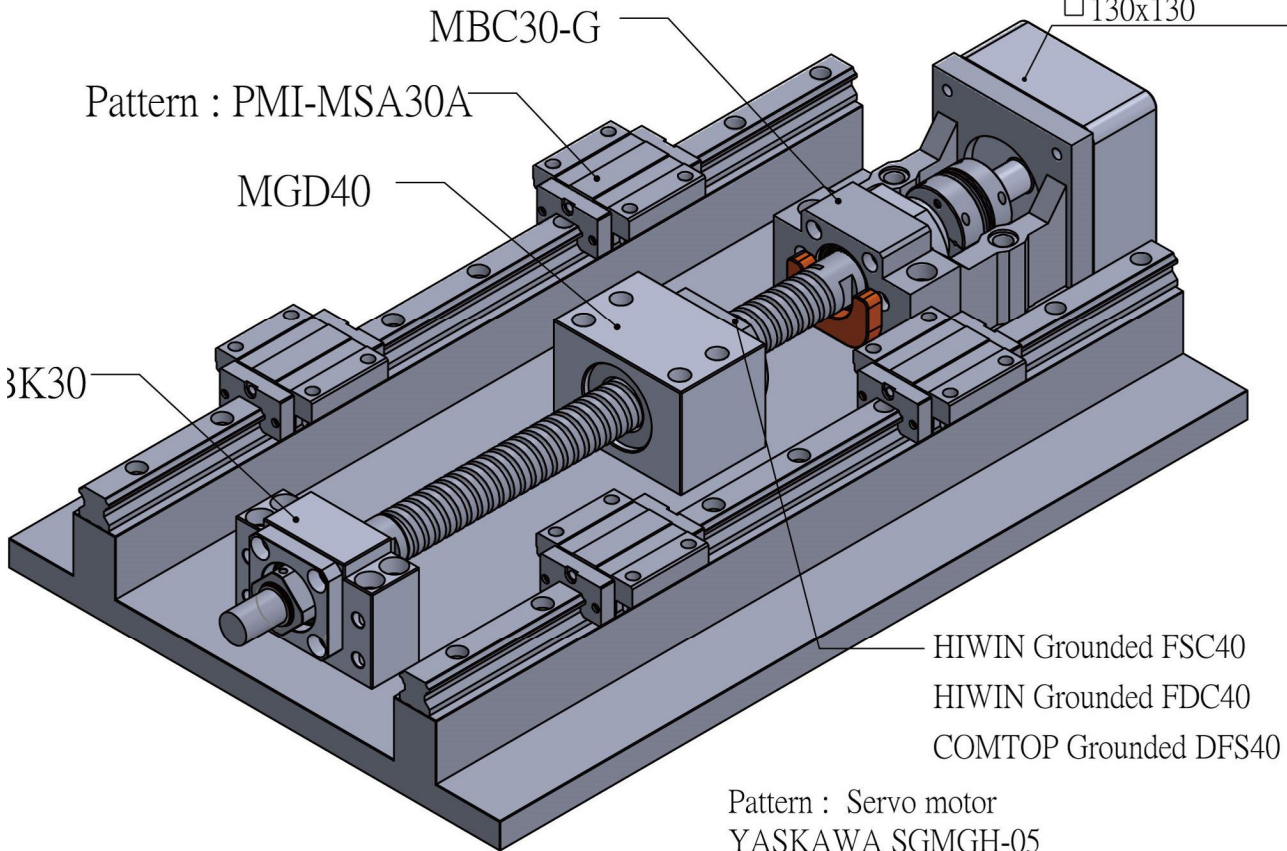
Unit : mm

Model No.	D1	W1	Y	Shaft diameter d1	CL1	L2	M	T1	Weight (Kgs)	Support unit	Suggest Coupling							
										Supported-side								
MBCS25-Y	95	115	M8	25	15	65	4-M6	φ 45	-	SBK25/SF25	SGL 65C							
MBCS25-YP			M6															
MBCS25-S	110	130	M8								30	9	61	2-M4	□40	-	BK30/BF30	SGS 65C
MBCS25-G		145																
MBCF30-Y	95	115	M8	30	9	61	2-M4	□40	-	BK30/BF30								SGL 65C
MBCF30-YP			M6															
MBCF30-S	110	130	M8								30	9	61	2-M4	□40	-	BK30/BF30	SGS 65C
MBCF30-G		145																
MBCS30-Y	95	115	M8	30	15	65	4-M6	φ 50	-	SBK30								SGL 65C
MBCS30-YP			M6															
MBCS30-S	110	130	M8								30	15	65	4-M6	φ 50	-	BK30/BF30	SGS 65C
MBCS30-G		145																

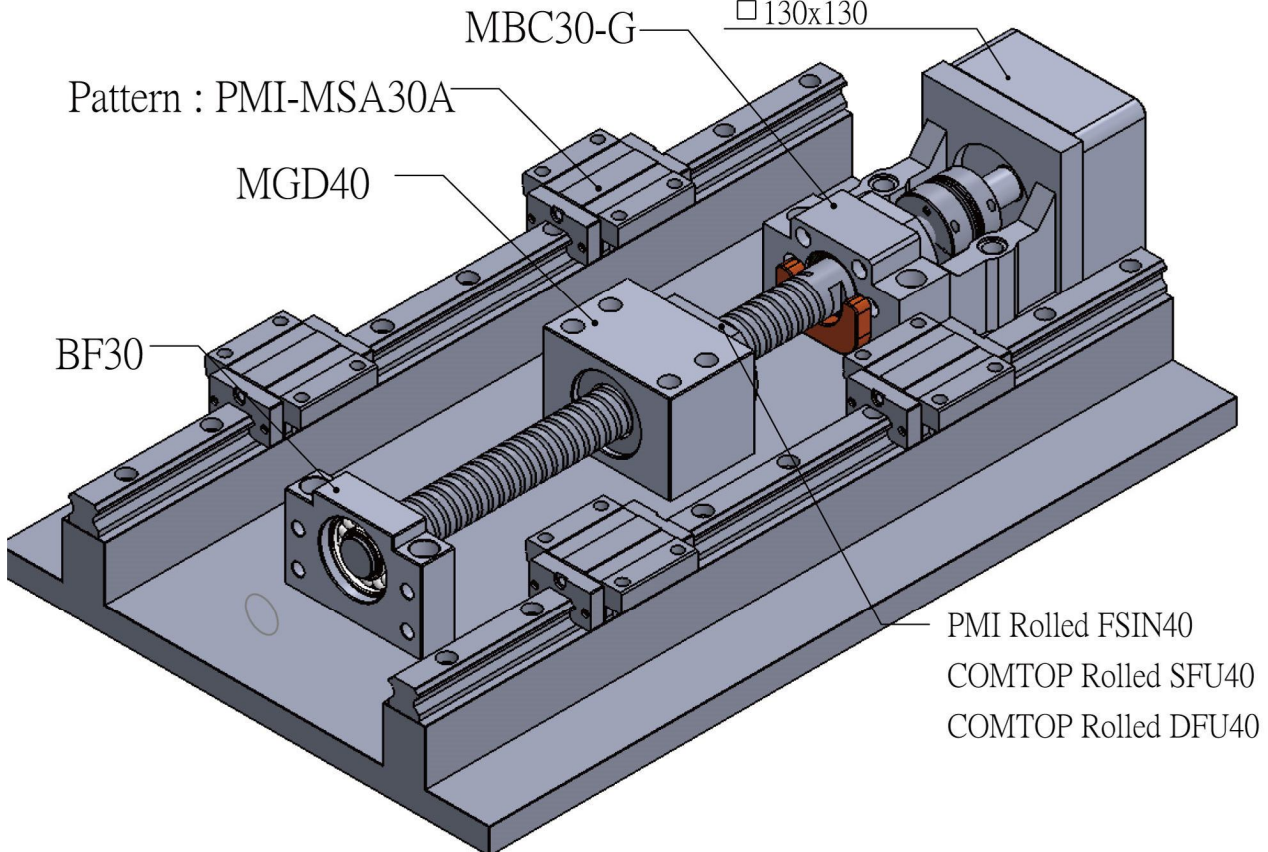
Note :  
 1. Bearings made preload , and axial clearance is 0 mm.  
 2. DF type, suitable for ballscrew use.

# Illustration for MBC30

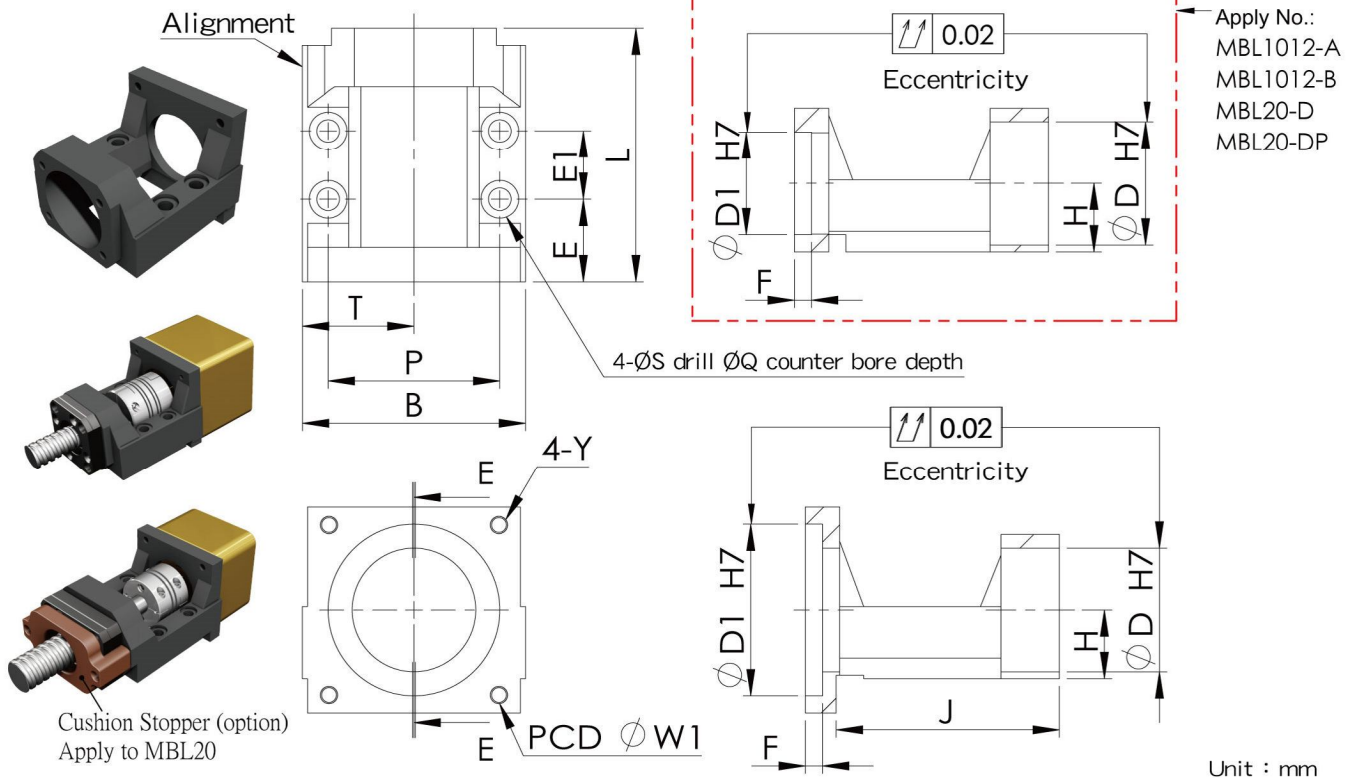
## Fixed+Fixed



## Fixed+Supported



# Motor Bracket MBL (Low Narrow Type)



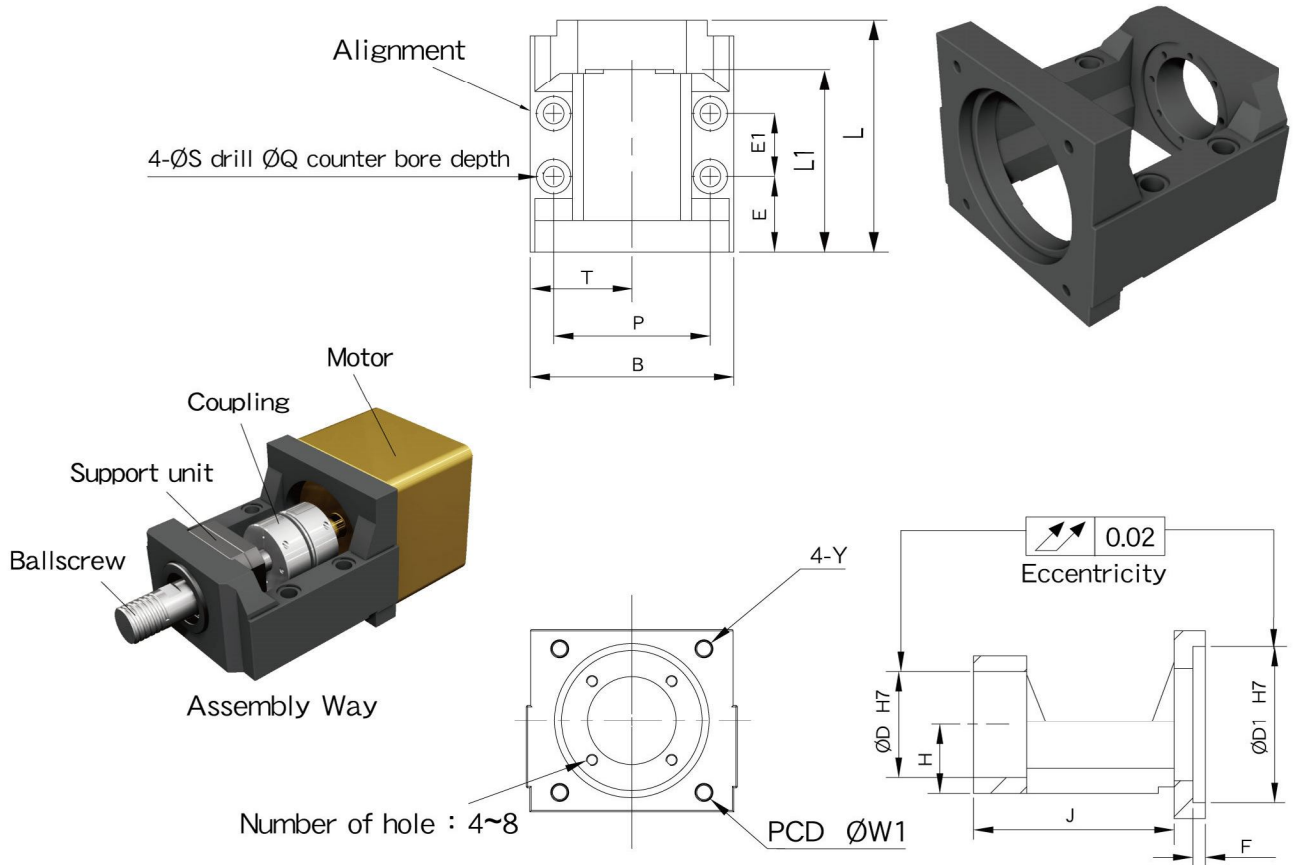
Model No.	Dimensions of Motor Bracket															Support unit		Suggest Coupling		
	D1	W1	Y	D	L	H ±0.02	B	P	T	S	Q	E	E1	F	J	Weight (Kgs)	Fixed-side		Supported-side	
MBL6/8-A	30	45	M3	28	61	15.5	52	41	26	5.5	9.5	19	20	5	54	0.27	FKA06 FKA08	LF08 LFA12	SGS 27C	
MBL6/8-B		46	M4																	
MBL10/12-A	30	45	M3	36	74	20	65	50	32.5	6.6	11	24	20	5	flat	0.56	FKA10 FKA12	LF12 LFA15	SGS 34C	
MBL10/12-B		46	M4																	
MBL10/12-C	38.1	66.7	M4	40	84	22	70	55	35	6.6	11	25	28	5	74	0.74	FKA15	LF15 LFA20	SGS 34C	
MBL10/12-D	50	70	M5																	
MBL10/12-DP	50	70	M4																	
MBL15-C	38.1	66.7	M4	40	84	22	70	55	35	6.6	11	25	28	5	74	0.74	FKA15	LF15 LFA20	SGS 34C	
MBL15-D	50	70	M5																	
MBL15-DP	50	70	M4																	
MBL15-F	73	98.4	M6	57	113	30	88	70	44	8.5	14	30	29	42	6	82	1.21	FKA20	AF20 EF20 LFA25	SGS 40C
MBL15-E	70	90	M5																	
MBL15-EP	70	90	M4																	
MBL20-D	50	70	M5	57	113	30	88	70	44	8.5	14	29	42	5	flat	1.43	FKA20	AF20 EF20 LFA25	SGS 45C	
MBL20-DP			M4																	
MBL20-F	73	98.4	M6	57	113	30	88	70	44	8.5	14	29	42	6	102	1.44	FKA20	AF20 EF20 LFA25	SGS 45C	
MBL20-E	70	90	M5																	
MBL20-EP			70																	90

Note :

1.Can choose B angle bearings when use support unit with FKA20



# Motor Bracket MBB (Hidden Type)



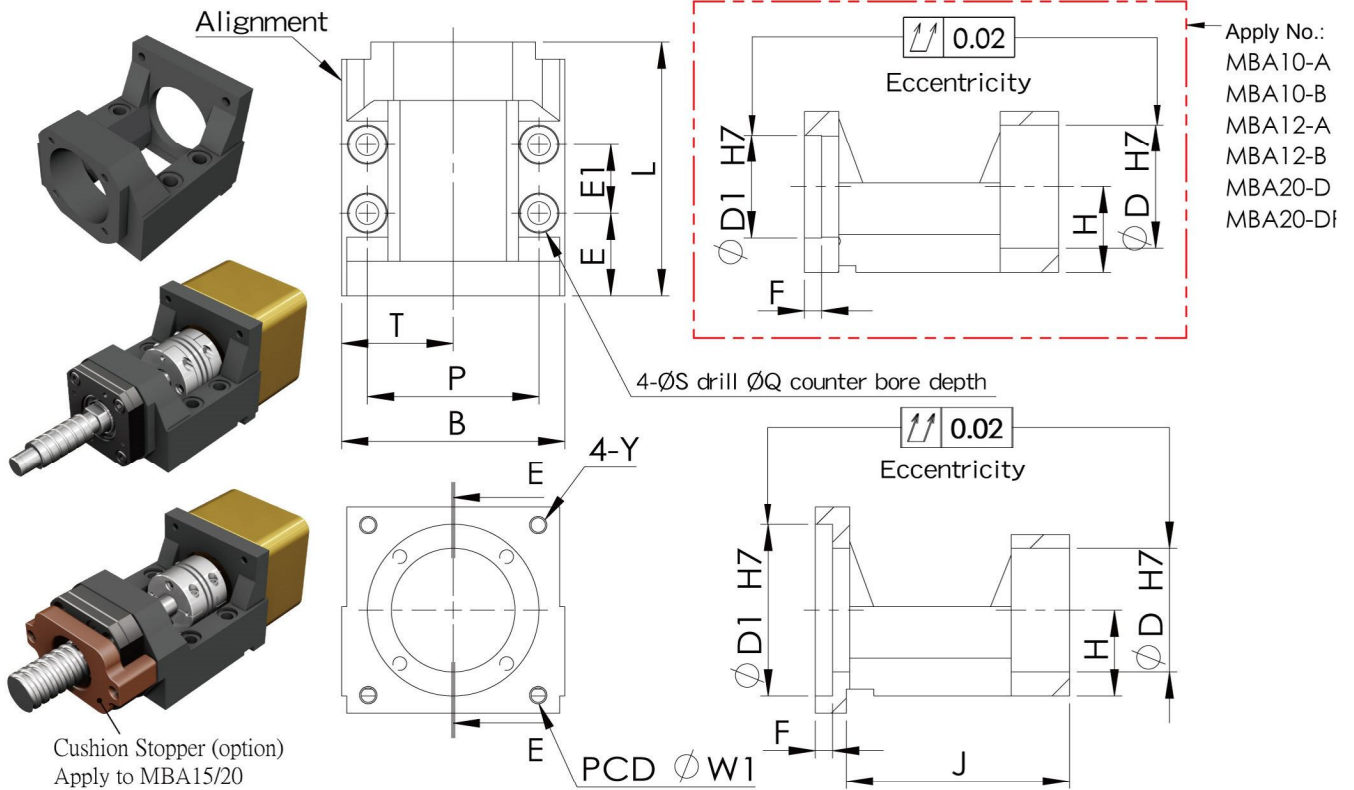
Unit : mm

Model No.	Dimensions of Motor Bracket																Support unit		Suggest Coupling	
	D1	W1	Y	D	L	L1	H ±0.02	B	P	T	S	Q	E	E1	F	J	Weight (KGS)	Fixed-side		Supported-side
MBB20L-G				57														FK20B	BF20H	SGL 65C
MBB20-G	110	145	M8	58	170	143	48	150	126	75	14	20	53	59	10	146	6.46	MBK15DF	BF15+20mm	
																		MBK17DF	BF17+9mm	
MBB25L-S		130			167	141							51	59	8	146	-	FK25	BF25	SGL 65C
MBB25L-G	110		M8	63			48	150	126	75	14	20	53		151	6.23	SGL 65C			
MBB25L-G-M		145			170	143							55	70	10	150	5.9			SGS 65C
MBB30-H	114.3	200	M12	85	230	189	51	200	170	100	18	26	75	75	-	201	14	WBK25DF	SF25	SAP-82C SAP-94C
																		WBK25DFD	SBK25	
																		WBK30DF	BF30	
																		WBK30DFD	SBK30	

Note :

1.Can choose B angle bearings when use support unit with FK20/FK25

# Motor Bracket MBA (Narrow Type)

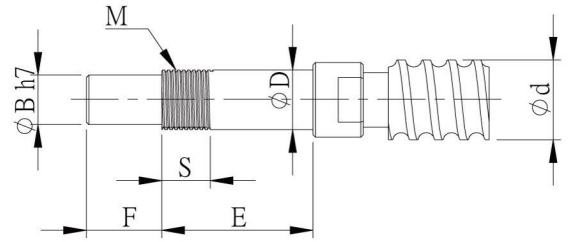
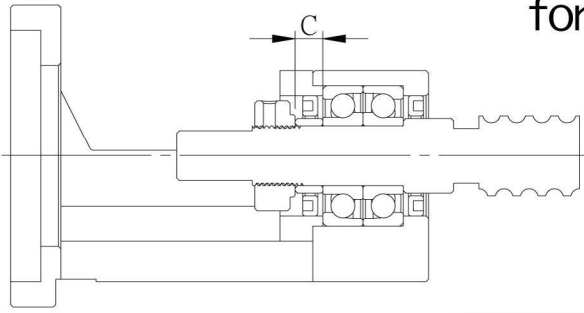


Model No.	Dimensions of Motor Bracket																Support unit		Suggest Coupling
	D1	W1	Y	D	L	H ±0.02	B	P	T	S	Q	E	E1	F	J	Weight (Kgs)	Fixed-side	Supported-side	
MBA6/8-A	30	45	M3	28	61	17	52	41	26	5.5	9.5	19	20	5	54	0.29	FKA06 FKA08	EF08	SGS 27C
MBA6/8-B		46	M4																
MBA10-A	30	45	M3	34	74	22	65	50	32.5	6.6	11	24	20	5	flat	0.62	FK10	BF10	SGS 27C
MBA10-B		46	M4																
MBA10-C	38.1	66.7	M4	34	74	22	65	50	32.5	6.6	11	24	20	5	65	0.66	FK10	BF10	SGS 34C
MBA10-D	50	70	M5																SGS 34C
MBA10-DP			M4																
MBA12-A	30	45	M3	36	74	25	65	50	32.5	6.6	11	24	20	5	flat	0.67	FK12	BF12	SGS 27C
MBA12-B		46	M4																
MBA12-C	38.1	66.7	M4	36	74	25	65	50	32.5	6.6	11	24	20	5	65	0.7	FK12	BF12	SGS 34C
MBA12-D	50	70	M5																SGS 34C
MBA12-DP			M4																
MBA15-C	38.1	66.7	M4	40	82	28	70	55	35	6.6	11	24	28	5	73	0.85	FK15	BF15	SGS 34C
MBA15-D	50	70	M5		84														SGS 34C
MBA15-DP			M4																
MBA15-F	73	98.4	M6	40	92	28	88	70	44	8.5	14	29	28	6	81	1.3	FK15	BF15	SGS 40C SGS 45C
MBA15-E	70	90	M5		94														
MBA15-EP			M5																
MBA15-C	38.1	66.7	M4	40	82	28	70	55	35	6.6	11	24	28	5	73	0.85	FK15	BF15	SGS 34C
MBA15-D			M5		84														
MBA15-DP	M4																		
MBA15-F	73	98.4	M6	40	92	28	88	70	44	8.5	14	29	28	6	81	1.3	FK15	BF15	SGS 40C SGS 45C
MBA15-E	70	90	M5		94														
MBA15-EP			M5																
MBA20-D	50	70	M5	57	113	34	88	70	44	8.5	14	29	42	5	flat	1.56	FKA20	BF20	SGS 45C
MBA20-DP			M4																
MBA20-F	73	98.4	M6	57	113	34	88	70	44	8.5	14	29	42	6	102	1.59	FKA20	BF20	SGS 45C
MBA20-E	70	90	M5																
MBA20-EP			M5																
MBA20-D	50	70	M5	57	113	34	88	70	44	8.5	14	29	42	5	flat	1.56	FKA20	BF20	SGS 45C
MBA20-DP			M4																
MBA20-F	73	98.4	M6	57	113	34	88	70	44	8.5	14	29	42	6	102	1.59	FKA20	BF20	SGS 45C
MBA20-E	70	90	M5																
MBA20-EP			M5																

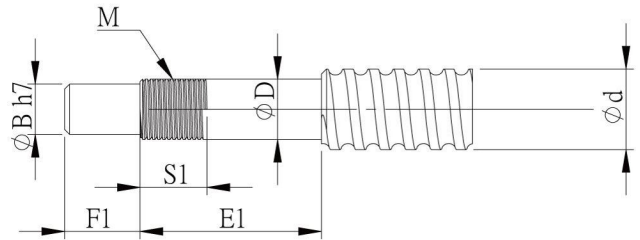
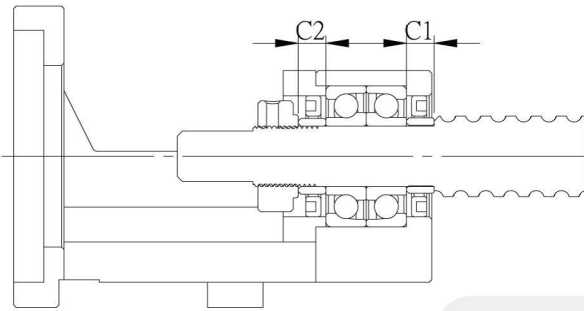
Note :

1.Can choose B angle bearings when use support unit with FKA20

## Recommended shaft end shape (Fixed-side) for MBC types



Ground Ballscrew



Rolled Ballscrew

Unit : mm

Model No.	Ballscrew shaft OD	Shaft support portion OD						Metric screw thread			Length of Sleeve		
			B	E	E1	F	F1	M	S	S1	C	C1	C2
MBC types	d	D											
MBCE10	12/14/15	10 <sup>-0.006</sup> <sub>-0.017</sub>	8	30	36	15		M10X1	10	12	5.5	5.5	
MBCB12	14/15/16	12 <sup>-0.006</sup> <sub>-0.017</sub>	10	30	36	15		M12X1	10	12	5.5	5.5	
MBCE12													
MBCB15	18/20	15 <sup>-0.006</sup> <sub>-0.017</sub>	12	40	40	20		M15X1	15	12	10	6	
MBCB15M												6	10
MBCE15												10	
MBCE15M												6	10
MBCA15												6	
MBCS15			53	62	25				16	9			
MBCS17	20/25	17 <sup>-0.006</sup> <sub>-0.017</sub>	15	60	69	19		M17X1		23	9		
MBCF20	25/28	20 <sup>-0.006</sup> <sub>-0.017</sub>	17	53	64	27		M20X1		16	11		
MBCS20					60	69	25			23	9		
MBCA20					43	51	22			16	8		
MBC25	30/32/36	25 <sup>-0.006</sup> <sub>-0.017</sub>	20	62	76	33	30	M25X1.5		20	14		
MBCS25					67	82	27			26	15		
MBCF30	36/40	30 <sup>-0.010</sup> <sub>-0.020</sub>	25	64	73	30		M30X1.5		25	9		
MBCS30					67	82	27			26	15		

## Motor Bracket MB and Corresponding motor reference table

Motor Bracket	Servo Motor Brand Specification			Motor Bracket	Servo Motor Brand Specification		
	Manufacturer	Model No	Flange Width		Manufacturer	Model No	Flange Width
MB*-A	Panasonic	MSMA3A MSMA5A MSMA01	38	MB*-F	Yaskawa electric	SGMAH-N21	85
	HIWIN	FRLS50W/100W					
MB*-B	Yaskawa electric	SGMAH-A3 SGMAH-A5	40	MB*-G	Yaskawa electric	SGMGH-05 SGMGH-09 SGMGH-13	120~130
	Mitsubishi electric	HF-KP053 / 13 HF-MP053 / 13			Mitsubishi electric	HF-SP51~81 HF-SP52~152 HF-SP524~1524 HC-LP52~152	
	OMRON	R88M-W03030 R88M-W05030 R88M-W10030			DELTA	E11305 · G11303 E11310 · G11306 E11315 · G11309 E11320	
	SANYO	P30B04003 P30B04005 P30B04010			Panasonic	MDMA102 MDMA152 MDMA202 MDMA252 MDMA302	
MB*-C	Yaskawa electric	02SGMAH-21 04SGMAH-21	60		FANUC	B8 · B12	130
MB*-D	Yaskawa electric	SGMAH-02 / 04A SGMAH-03D	60		HIWIN	FRMM1KW	
	Mitsubishi electric	HF-KP23 / 43 HF-MP23 / 43					
	OMRON	R88M-W20030 R88M-W40030			Yaskawa electric	SGMGH-20 SGMGH-30 SGMGH-44	180
	SANYO	P30B06020 P30B06040			DELTA	E11820 E11830 F11830	
	DELTA	C10602 C10604			MB*-H	Mitsubishi electric	HF-SP121~421 HF-SP202~702 HF-SP2024 HF-SP3524 HF-SP5024 HF-SP7024 HC-LP202 HC-LP302
	HIWIN	FRLS200W FRLS400W					
MB*-DP	Panasonic	MSMA021 MSMA041	60	MB*-S	SIEMENS	1FK7060 1FT6062	126 116
MB*-E	Yaskawa electric	SGMAH-08A	80	MB*-X	FANUC	$\beta$ 2/4000is $\beta$ 4/4000is	90
	Mitsubishi electric	HF-KP73 HF-MP73			SIEMENS	1FT6044 1FK7042-5	
	SANYO	P30B08075		MB*-YP	Yaskawa electric	SGMSH-10 SGMSH-15 SGMSH-20	100
	DELTA	C10807					
	HIWIN	FRMS750W					
MB*-EP	Panasonic	MSMA082	80				
MB*-Y	DELTA	C11010 C11020	100				
	Mitsubishi electric	HC-RP103 /153 HC-RP203					

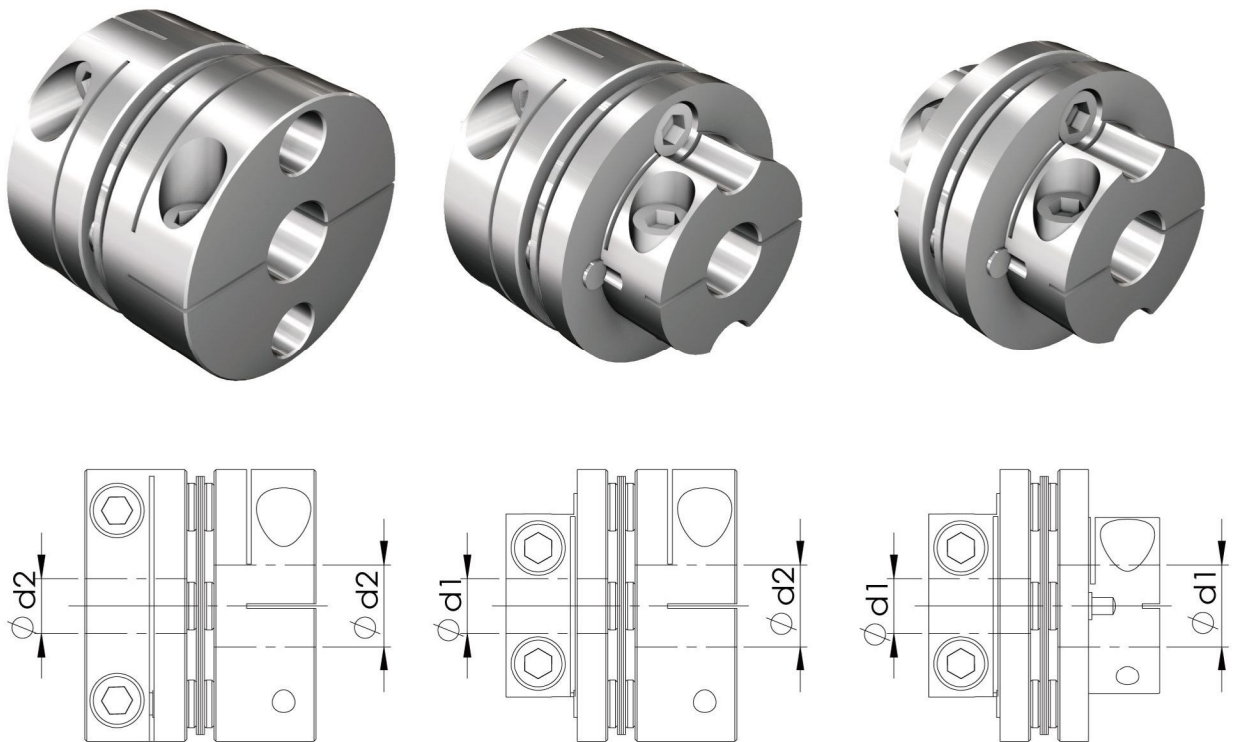
Note :

- For others brand servo motor , please check off dimensions W1 、 D1 、 Y It can be applied as match , Please be attention for length of shaft .
- Specifications are subject to change without prior notice if required to improve performance .

# SGS-C DISK/CLAMP TYPE//SHORTER FLEXIBLE COUPLING

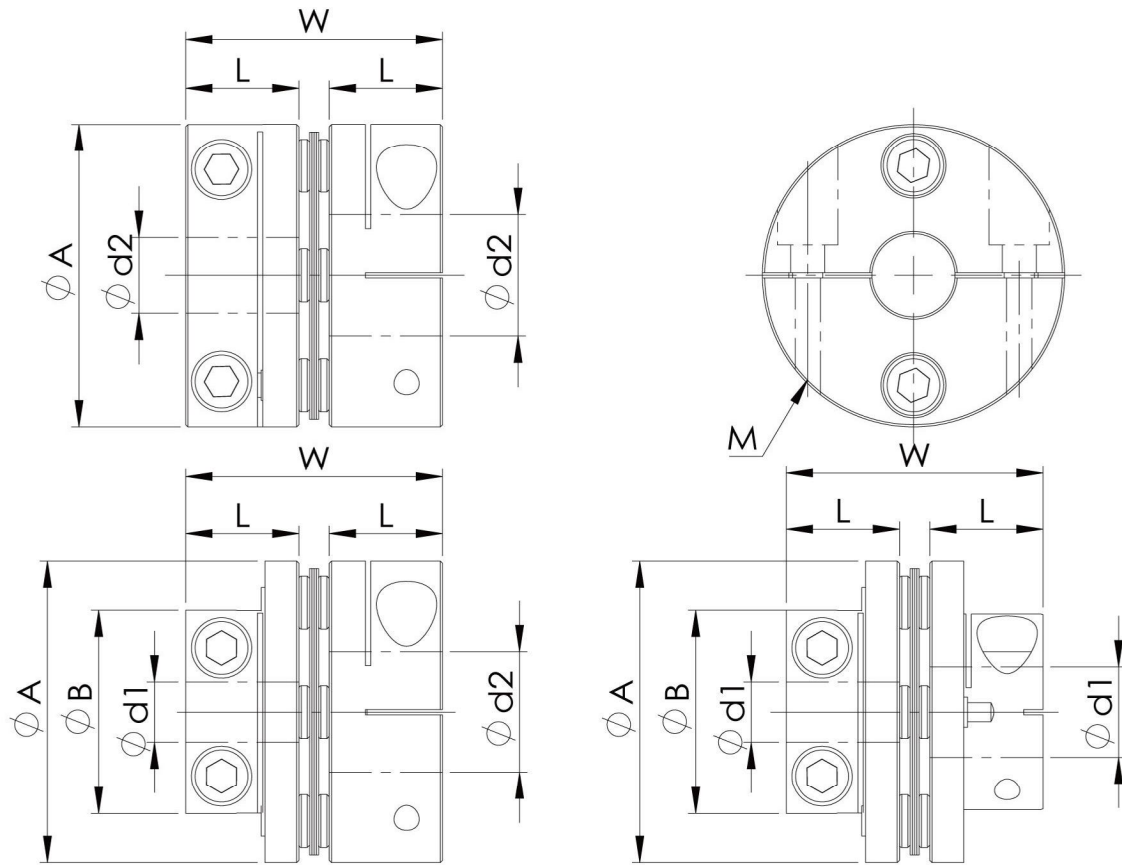
Features :

- Suitable for servo-motor and precision transmission mechanism.
- Single disk , compact design ,low moment of inertia and zero backlash.
- Allow minor deviation in angularity and end -play.
- Fixed method: Clamp type. Material: Aluminum alloy.



Model No.	$\phi$ d1	$\phi$ d2
Figure.		
SGS27C	4 ~ 6.35	7 ~ 10
SGS34C	6 ~ 9	10 ~ 14
SGS40C	8 ~ 10	11 ~ 16
SGS45C	10 ~ 12	14 ~ 19
SGS50C	12 ~ 16	17 ~ 22
SGS57C	12 ~ 17	19 ~ 24
SGS65C	16 ~ 20	22 ~ 28

# SGS-C DISK/CLAMP TYPE// SHORTER FLEXIBLE COUPLING



## Dimension

Catalog Number	$\phi A$	$\phi B$	L	W	$\phi d1 \times \phi d2$		Setscrew Max. torque.	
					Stock bores. (H8)		M	kgf-cm
					$\phi d1$	$\phi d2$		
SGS-27C	27	20	11	24.5	4 ~ 6.35	7 ~ 10	4 - M3	-
SGS-34C	34	23	12	27	6 ~ 9	10 ~ 14	4 - M3	-
SGS-40C	40	27	15	34	8 ~ 10	11 ~ 16	4 - M4	35
SGS-45C	45	34	15	34	10 ~ 12	14 ~ 19	4 - M4	35
SGS-50C	50	40	20	45	12 ~ 16	17 ~ 22	4 - M5	-
SGS-57C	57	45	20	45	12 ~ 17	19 ~ 24	4 - M5	-
SGS-65C	65	50	24	54	16 ~ 20	22 ~ 28	4 - M6	-

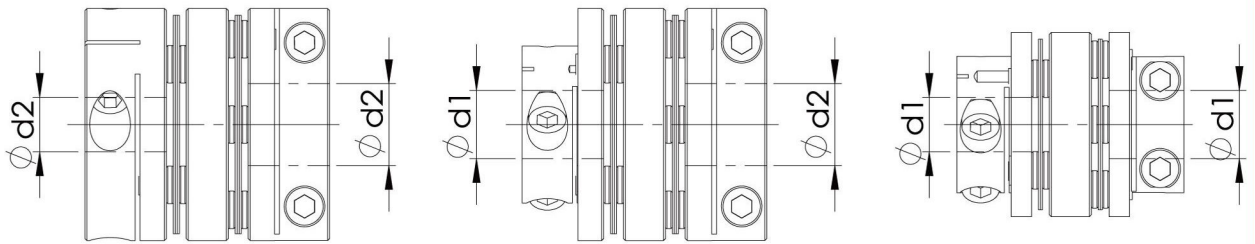
## Specifications

Catalog Number	Rated Torque (N . m)	Max Torque (N . m)	Max Rotational Frequency (min-1)	Moment of Inertia (Kg.m <sup>2</sup> )	Errors of Eccentricity (mm)	Errors of Angularity (°)	Errors of Shaft End-Play (mm)	Weight (g)
SGS-27C	2	4	10000	3.1x10 <sup>-6</sup>	0.02	1°	±0.15	-
SGS-34C	5	10		8.0x10 <sup>-6</sup>			±0.2	-
SGS-40C	7	14		2.0x10 <sup>-5</sup>			±0.25	-
SGS-45C	10	20		2.8x10 <sup>-5</sup>			±0.3	-
SGS-50C	16	32		6.6x10 <sup>-5</sup>			±0.35	-
SGS-57C	26	52		9.8x10 <sup>-5</sup>			±0.4	-
SGS-65C	60	120		24.0x10 <sup>-5</sup>			±0.45	-

# SGL-C DISK/CLAMP TYPE//LONGER FLEXIBLE COUPLING

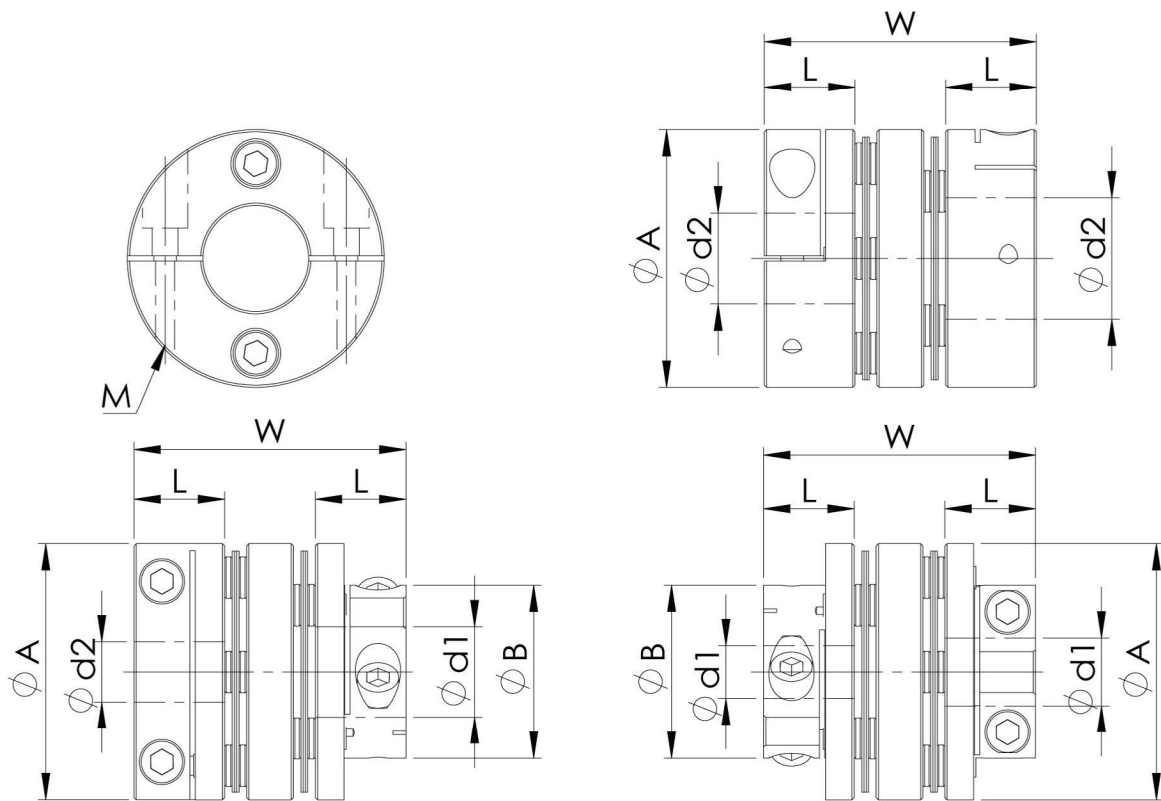
## Features :

- Suitable for servo-motor and precision transmission mechanism.
- double disks , low moment of inertia and zero backlash.
- Allow minor deviation in eccentricity , angularity and end -play.
- Fixed method: Clamp type. Material: Aluminum alloy.



Model No.	$\phi d1$	$\phi d2$
Figure.		
SGL27C	4 ~ 6.35	7 ~ 10
SGL34C	6 ~ 9	10 ~ 14
SGL40C	8 ~ 10	11 ~ 16
SGL45C	10 ~ 12	14 ~ 19
SGL50C	12 ~ 16	17 ~ 22
SGL57C	12 ~ 17	19 ~ 24
SGL65C	16 ~ 20	22 ~ 28

# SGL-C DISK/CLAMP TYPE//LONGER FLEXIBLE COUPLING



## Dimension

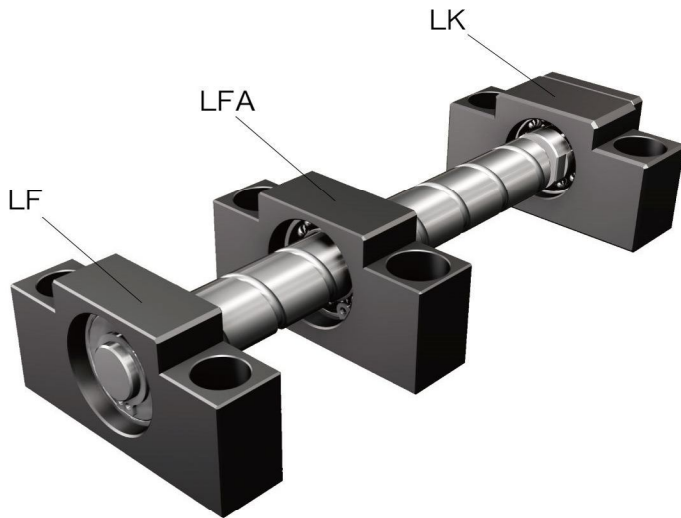
Catalog Number	$\phi A$	$\phi B$	L	W	$\phi d1 \times \phi d2$		Setscrew Max. torque.	
					Stock bores. (H8)		M	kgf-cm
					$\phi d1$	$\phi d2$		
SGL-27C	27	20	11	33.5	4 ~ 6.35	7 ~ 10	4 - M3	-
SGL-34C	34	23	12	36	6 ~ 9	10 ~ 14	4 - M3	-
SGL-40C	40	27	15	46	8 ~ 10	11 ~ 16	4 - M4	35
SGL-45C	45	34	15	46	10 ~ 12	14 ~ 19	4 - M4	35
SGL-50C	50	40	20	59	12 ~ 16	17 ~ 22	4 - M5	-
SGL-57C	57	45	20	59	12 ~ 17	19 ~ 24	4 - M5	-
SGL-65C	65	50	24	71	16 ~ 20	22 ~ 28	4 - M6	-

## Specifications

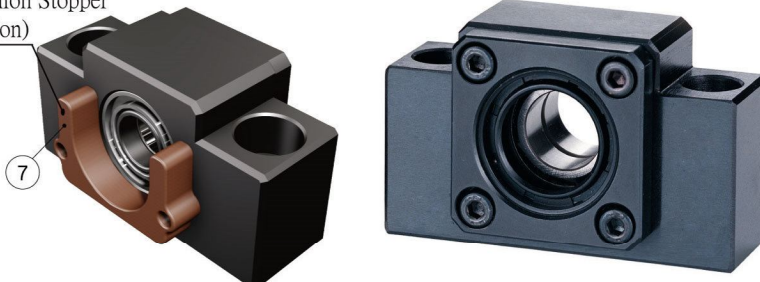
Catalog Number	Rated Torque (N . m)	Max Torque (N . m)	Max Rotational Frequency (min-1)	Moment of Inertia (Kg.m2)	Errors of Eccentricity (mm)	Errors of Angularity (°)	Errors of Shaft End-Play (mm)	Weight (g)
SGL-27C	2	4	10000	$4.7 \times 10^{-6}$	0.15	2°	$\pm 0.33$	-
SGL-34C	5	10		$1.4 \times 10^{-5}$	0.17		$\pm 0.4$	-
SGL-40C	7	14		$3.1 \times 10^{-5}$	0.22		$\pm 0.5$	-
SGL-45C	10	20		$4.8 \times 10^{-5}$	0.22		$\pm 0.6$	-
SGL-50C	16	32		$9.8 \times 10^{-5}$	0.24		$\pm 0.7$	-
SGL-57C	26	52		$16.2 \times 10^{-5}$	0.27		$\pm 0.8$	-
SGL-65C	60	120		$40 \times 10^{-5}$	0.35		$\pm 0.9$	-



Low profile Support Unit LK  
(fixed-side rectangular type)



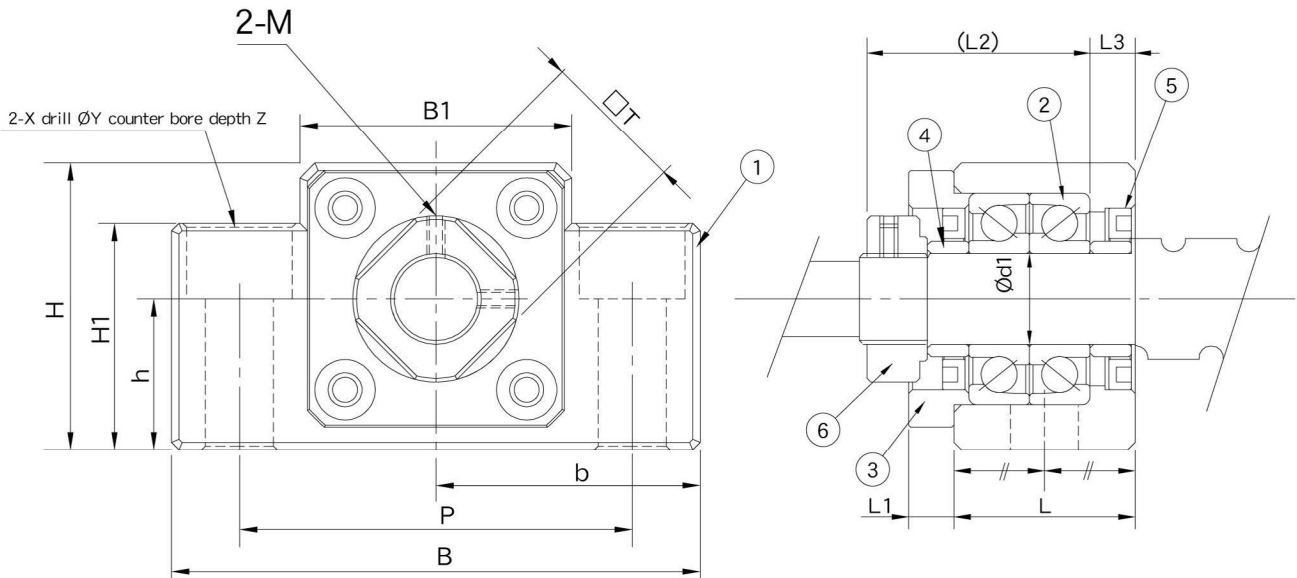
Cushion Stopper  
(option)



LK10~LK12

No.	Part name	Qty
1	Housing	1
2	Bearing	1set
3	Holding lid	1
4	Collar	2
5	Seal	2
6	Lock nut	1set
7	Cushion Stopper (option)	1


LK



Unit : mm

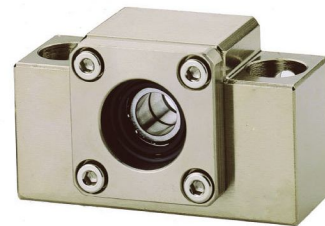
Model No.	Shaft diameter d1	L	L1	L2	L3	B	H	b	h	B1	H1	P	X	Y	Z	M	T	Weight (Kgs)
								±0.02	±0.02									
LK08	8	22.5	-	26	3.5	62	31	31	15.5	30	25.5	46	9	14	12.5	M3	14	0.28
LK10	10	24	6	29.5	6	70	38	35	20	36	30	52	9	14	10	M3	16	0.44
LK12	12	24	6	29.5	6	70	38	35	20	36	30	52	9	14	10	M4	19	0.42
LK15	15	25	6	36	5	80	41	40	22	41	32	60	11	17	13	M4	22	0.51

# Low profile Support Unit LK (fixed-side rectangular type)

Order Coding	Model No.	Surface treatment	Applicable ballscrew accuracy grade	Bearing		Delivery date 
				Model No.	Max. Starting torque (gf-cm)	
LK08	LK08	Black Oxide	C3 ~ C10	708A P5	90	EX-STOCK
LK08_C5			C5 ~ C10	708A P0	90	3 days
LK08_C3			C3	708A P5	90	3 days
LK08_N		Electroless Nickel Plating	C3 ~ C10	708A P5	90	3 days
LK08_C5N			C5 ~ C10	708A P0	90	3 days
LK08_C3N			C3	708A P5	90	3 days
LK10	LK10	Black Oxide	C3 ~ C10	7000A P5	190	EX-STOCK
LK10_C5			C5 ~ C10	7000A P0	190	3 days
LK10_C3			C3	7000A P5	190	3 days
LK10_N		Electroless Nickel Plating	C3 ~ C10	7000A P5	190	3 days
LK10_C5N			C5 ~ C10	7000A P0	190	3 days
LK10_C3N			C3	7000A P5	190	3 days
LK12	LK12	Black Oxide	C3 ~ C10	7001A P5	210	EX-STOCK
LK12_C5			C5 ~ C10	7001A P0	210	3 days
LK12_C3			C3	7001A P5	210	3 days
LK12_N		Electroless Nickel Plating	C3 ~ C10	7001A P5	210	3 days
LK12_C5N			C5 ~ C10	7001A P0	210	3 days
LK12_C3N			C3	7001A P5	210	3 days
LK15	LK15	Black Oxide	C3 ~ C10	7002A P5	230	EX-STOCK
LK15_C5			C5 ~ C10	7002A P0	230	3 days
LK15_C3			C3	7002A P5	230	3 days
LK15_N		Electroless Nickel Plating	C3 ~ C10	7002A P5	230	3 days
LK15_C5N			C5 ~ C10	7002A P0	230	3 days
LK15_C3N			C3	7002A P5	230	3 days



**Black Oxide**  
(Application : General case)

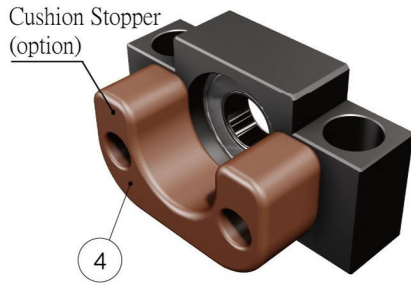


**Electroless Nickel Plating**  
(Application : Clean room)

Note :

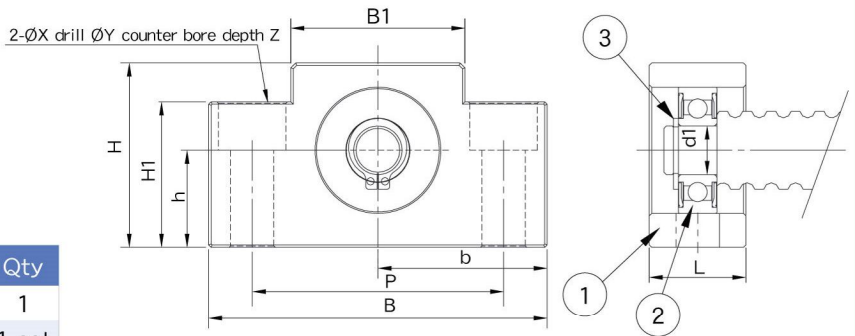
1. All types make Preload.
2. All of bearings use Japanese & Taiwanese brand bearings (Model No. in blue),  
Assembly by DF way. The most suitable way for ballscrew use.

## Low profile Support Unit LF (supported-side rectangular type)



LF12~LF15

No.	Part name	Qty
1	Housing	1
2	Bearing	1 set
3	Snap ring	1
4	Cushion Stopper (option)	1

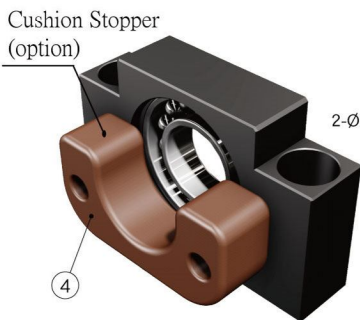


Unit : mm

Model No.	Shaft diameter d1	L	B	H	b ±0.02	h ±0.02	B1	H1	P	X	Y	Z	Bearing	Snap ring	Weight (Kgs)
LF08	6	16	62	31	31	15.5	30	25.5	46	9	14	12.5	606ZZ	S 06	0.19
LF12	10	20	70	38	35	20	36	30	52	9	14	10	6000ZZ	S 10	0.37
LF15	15	20	80	41	40	22	41	32	60	9	14	11	6002ZZ	S 15	0.35

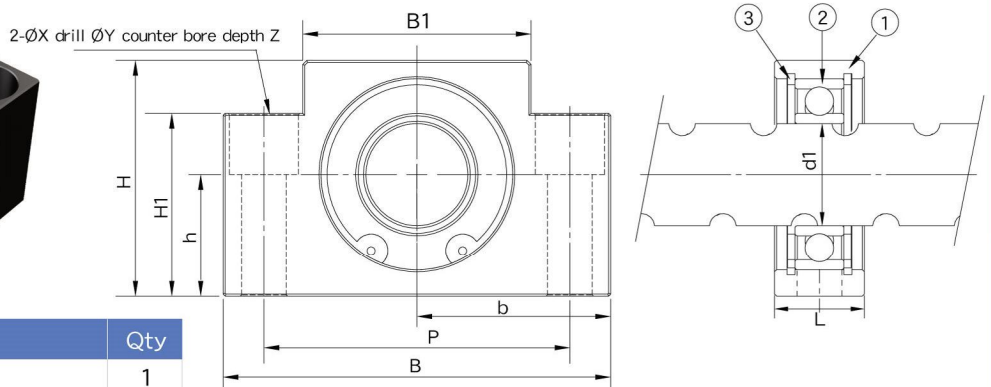
## LFA

## Low profile Support Unit LFA (supported-side rectangular type)



LFA25


No.	Part name	Qty
1	Housing	1
2	Bearing	1 set
3	Snap ring	2
4	Cushion Stopper (option)	1



Unit : mm

Model No.	Shaft diameter d1	L	B	H	b ±0.02	h ±0.02	B1	H1	P	X	Y	Z	Bearing	Snap ring	Weight (Kgs)
LFA12	12	18	62	31	31	15.5	30	25.5	46	9	14	12.5	6801ZZ	R21	0.2
LFA15	15	18	70	38	35	20	36	30	52	9	14	10	6902ZZ	R28	0.26
LFA20	20	22	80	41	40	22	41	32	60	11	17	13	6804ZZ	R32	0.35
LFA25	25	22	95	58	47.5	30	56	45	75	11	17	15	6005ZZ	R47	0.61

## Low profile Support Unit LF/LFA (Supported-side rectangular type)

Order Coding	Model No.	Surface treatment	Applicable ballscrew accuracy grade	Bearing	Delivery date 
LF08_C3	LF08	Black Oxide	C3 ~ C7	606ZZ	EX-STOCK
LF08_C3N		Electroless Nickel Plating	C3 ~ C7	606VV	3 days
LF12_C3	LF12	Black Oxide	C3 ~ C7	6000ZZ	EX-STOCK
LF12_C3N		Electroless Nickel Plating	C3 ~ C7	6000VV	EX-STOCK
LF15_C3	LF15	Black Oxide	C3 ~ C7	6002ZZ	EX-STOCK
LF15_C3N		Electroless Nickel Plating	C3 ~ C7	6002VV	3 days
LFA12_C3	LFA12	Black Oxide	C3 ~ C7	6801ZZ	EX-STOCK
LFA12_C3N		Electroless Nickel Plating	C3 ~ C7	6801ZZ	3 days
LFA15_C3	LFA15	Black Oxide	C3 ~ C7	6902ZZ	EX-STOCK
LFA15_C3N		Electroless Nickel Plating	C3 ~ C7	6902ZZ	3 days
LFA20_C3	LFA20	Black Oxide	C3 ~ C7	6804ZZ	EX-STOCK
LFA20_C3N		Electroless Nickel Plating	C3 ~ C7	6804ZZ	3 days
LFA25_C3	LFA25	Black Oxide	C3 ~ C7	6005ZZ	EX-STOCK
LFA25_C3N		Electroless Nickel Plating	C3 ~ C7	6005ZZ	3 days



Black Oxide (Application : General case)



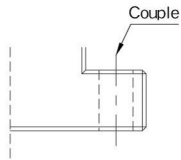
Electroless Nickel Plating  
(Application : Clean room)

**Note:**

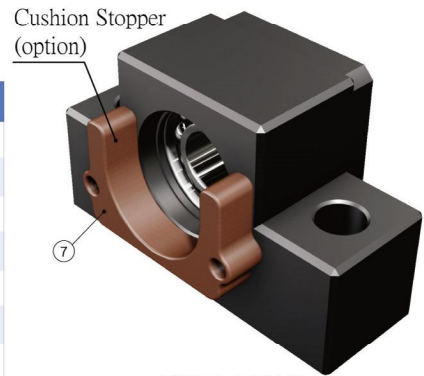
1.All of bearings use Japanese & Taiwanese brand bearings.

Support Unit EK  
(fixed-side rectangular type)

## EK05



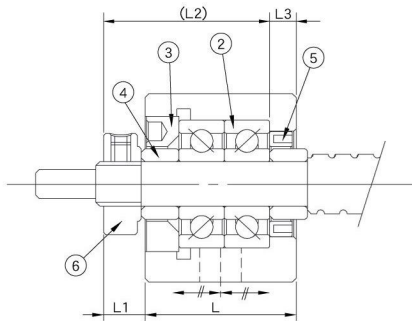
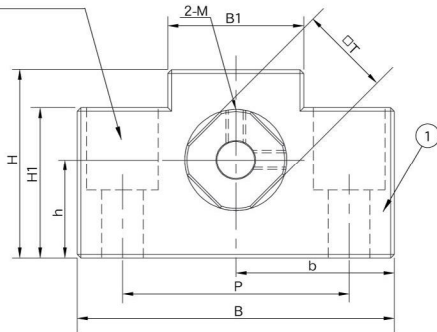
No.	Part name	Qty
1	Housing	1
2	Bearing	1 set
3	Holding lid	1
4	Collar	2
5	Seal	1 ( 2 )
6	Lock nut	1
7	Cushion Stopper (option)	1



EK10~EK12

## EK06, EK08

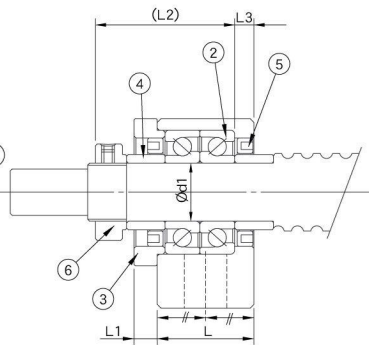
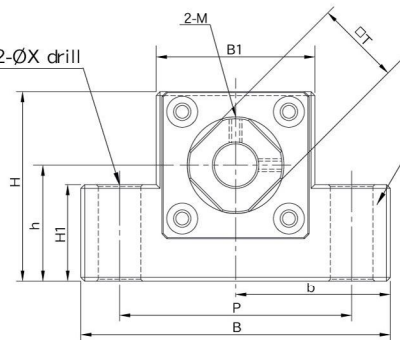
2- $\varnothing$ X drill  $\varnothing$ Y counter bore depth Z



(EK05~08)

## EK10~EK20

2- $\varnothing$ X drill



(EK10~20)

Unit : mm

Model No.	Shaft diameter d1	L	L1	L2	L3	B	H	b	h	B1	H1	P	X	Y	Z	M	T	Weight (Kgs)
								$\pm 0.02$	$\pm 0.02$									
EK05	5	16.5	5.5	18.5	3.5	36	21	18	11	20	8	28	4.5	-	-	M3	11	0.1
EK06	6	20	5.5	22	3.5	42	25	21	13	18	20	30	5.5	9.5	11	M3	12	0.15
EK08	8	23	7	26	4	52	32	26	17	25	26	38	6.6	11	12	M3	14	0.26
EK10-1	10	24	6	29.5	6	65	43	32.5	21	36	20	52	6.6	-	-	M3	16	0.45
EK10	10	24	6	29.5	6	70	43	35	25	36	24	52	9	-	-	M3	16	0.45
EK12	12	24	6	29.5	6	70	43	35	25	36	24	52	9	-	-	M4	19	0.44
EK15	15	25	6	36	5	80	49	40	30	41	25	60	11	-	-	M4	22	0.56
EK20	20	42	10	50	10	95	58	47.5	30	56	25	75	11	-	-	M4	30	1.34

## Support Unit EK (fixed-side rectangular type)

Order Coding	Model No.	Surface treatment	Applicable ballscrew accuracy grade	Bearing		Delivery date 
				Model No.	Max. Starting torque (gf-cm)	
EK06	EK06	Black Oxide	C3~C10	706A P5	50	EX-STOCK
EK06_C5			C5 ~ C10	706A P0	50	EX-STOCK
EK06_C3			C3	706A P5	50	3 days
EK06_N		Electroless Nickel Plating	C3~C10	706A P5	50	3 days
EK06_C5N			C5 ~ C10	706A P0	50	3 days
EK06_C3N			C3	706A P5	50	3 days
EK08	EK08	Black Oxide	C3 ~ C10	708A P5	90	EX-STOCK
EK08_C5			C5 ~ C10	708A P0	90	EX-STOCK
EK08_C3			C3	708A P5	90	EX-STOCK
EK08_N		Electroless Nickel Plating	C3 ~ C10	708A P5	90	EX-STOCK
EK08_C5N			C5 ~ C10	708A P0	90	3 days
EK08_C3N			C3	708A P5	90	3 days
EK10	EK10	Black Oxide	C3 ~ C10	7000A P5	190	EX-STOCK
EK10_C5			C5 ~ C10	7000A P0	190	EX-STOCK
EK10_C3			C3	7000A P5	190	EX-STOCK
EK10_N		Electroless Nickel Plating	C3 ~ C10	7000A P5	190	EX-STOCK
EK10_C5N			C5 ~ C10	7000A P0	190	3 days
EK10_C3N			C3	7000A P5	190	3 days
EK12	EK12	Black Oxide	C3 ~ C10	7001A P5	210	EX-STOCK
EK12_C5			C5 ~ C10	7001A P0	210	EX-STOCK
EK12_C3			C3	7001A P5	210	EX-STOCK
EK12_N		Electroless Nickel Plating	C3 ~ C10	7001A P5	210	EX-STOCK
EK12_C5N			C5 ~ C10	7001A P0	210	3 days
EK12_C3N			C3	7001A P5	210	3 days



Black Oxide (Application : General case)



Electroless Nickel Plating (Application : Clean room)



Black Oxide (Application : General case)



Electroless Nickel Plating (Application : Clean room)

**Note :**

1. All types make Preload.
2. All of bearings use Japanese & Taiwanese brand bearings (Model No. in blue), Assembly by DF way. The most suitable way for ballscrew use.

## Support Unit EK (fixed-side rectangular type)

Order Coding	Model No.	Surface treatment	Applicable ballscrew accuracy grade	Bearing		Delivery date 
				Model No.	Max. Starting torque (gf-cm)	
EK15	EK15	Black Oxide	C3 ~ C10	7002A P5	230	EX-STOCK
EK15_C5			C5 ~ C10	7002A P0	230	EX-STOCK
EK15_C3			C3	7002A P5	230	EX-STOCK
EK15_N		Electroless Nickel Plating	C3 ~ C10	7002A P5	230	EX-STOCK
EK15_C5N			C5 ~ C10	7002A P0	230	3 days
EK15_C3N			C3	7002A P5	230	3 days
EK20	EK20	Black Oxide	C3 ~ C10	7204A P5	550	EX-STOCK
EK20_C5			C5 ~ C10	7204A P0	550	3 days
EK20B_C5			C5 ~ C10	7204B P0	660	EX-STOCK
EK20_C3			C3	7204A P5	550	3 days
EK20_N		Electroless Nickel Plating	C3 ~ C10	7204A P5	550	EX-STOCK
EK20_C5N			C5 ~ C10	7204A P0	550	3 days
EK20B_C5N			C5 ~ C10	7204B P0	660	3 days
EK20_C3N			C3	7204A P5	550	3 days



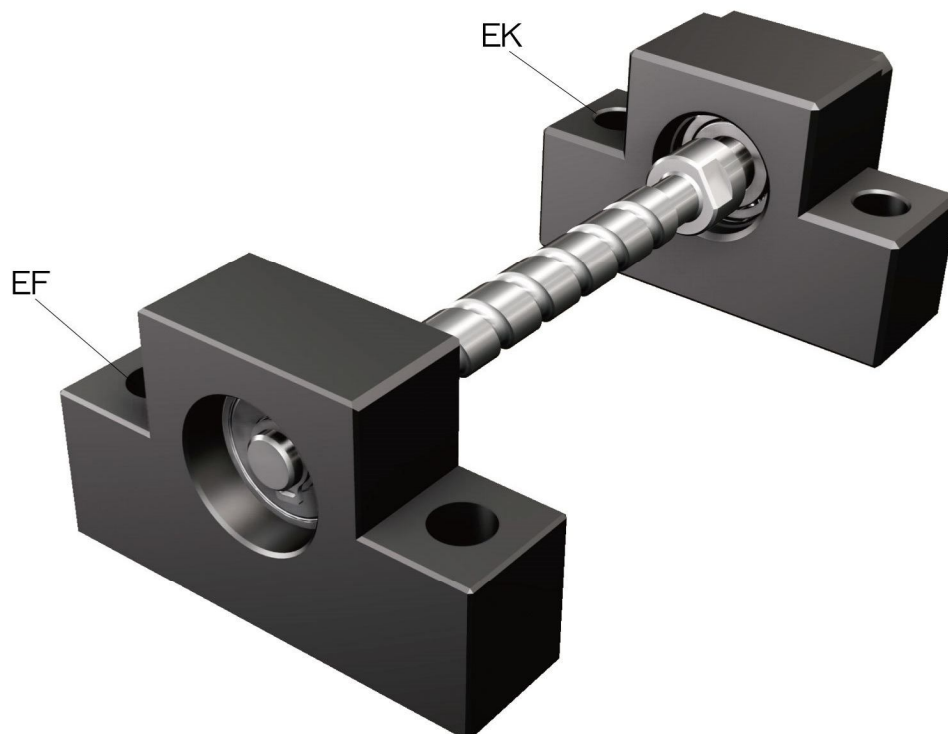
Black Oxide (Application : General case)



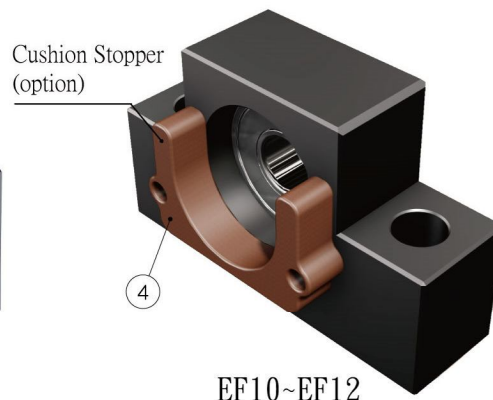
Electroless Nickel Plating (Application : Clean room)

**Note :**

1. All types make Preload.
2. All of bearings use Japanese & Taiwanese brand bearings (Model No. in blue), Assembly by DF way. The most suitable way for ballscrew use.

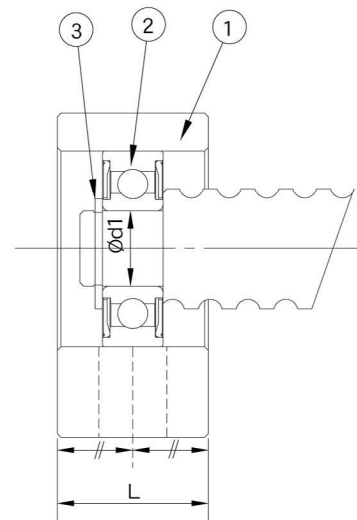
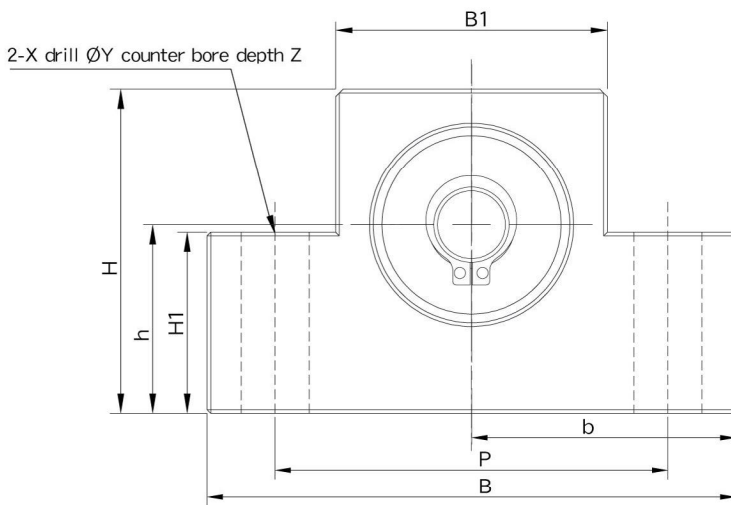


## Support Unit EF (supported-side rectangular type)



No.	Part name	Qty
1	Housing	1
2	Bearing	1 set
3	Snap ring	1
4	Cushion Stopper (option)	1

# EF




Unit : mm

Model No.	Shaft diameter d1	L	B	H	b	h	B1	H1	P	X	Y	Z	Bearing	Snap ring	Weight (Kgs)
					±0.02	±0.02									
EF06	6	12	42	25	21	13	18	20	30	5.5	9.5	11	606ZZ	S 06	0.1
EF08	6	14	52	32	26	17	25	26	38	6.6	11	12	606ZZ	S 06	0.15
EF10	8	20	70	43	35	25	36	24	52	9	-	-	608ZZ	S 08	0.33
EF12	10	20	70	43	35	25	36	24	52	9	-	-	6000ZZ	S 10	0.32
EF15	15	20	80	49	40	30	41	25	60	9	-	-	6002ZZ	S 15	0.38
EF20	20	26	95	58	47.5	30	56	25	75	11	-	-	6204ZZ	S 20	0.64



## Support Unit EF (Supported-side rectangular type)

Order Coding	Model No.	Surface treatment	Applicable ballscrew accuracy grade	Bearing	Delivery date 
EF06_C3	EF06	Black Oxide	C3 ~ C7	606ZZ	EX-STOCK
EF06_C3N		Electroless Nickel Plating	C3 ~ C7	606VV	3 days
EF08_C3	EF08	Black Oxide	C3 ~ C7	606ZZ	EX-STOCK
EF08_C3N		Electroless Nickel Plating	C3 ~ C7	606VV	EX-STOCK
EF10_C3	EF10	Black Oxide	C3 ~ C7	608ZZ	EX-STOCK
EF10_C3N		Electroless Nickel Plating	C3 ~ C7	608VV	EX-STOCK
EF12_C3	EF12	Black Oxide	C3 ~ C7	6000ZZ	EX-STOCK
EF12_C3N		Electroless Nickel Plating	C3 ~ C7	6000VV	EX-STOCK
EF15_C3	EF15	Black Oxide	C3 ~ C7	6002ZZ	EX-STOCK
EF15_C3N		Electroless Nickel Plating	C3 ~ C7	6002VV	EX-STOCK
EF20_C3	EF20	Black Oxide	C3 ~ C7	6204ZZ	EX-STOCK
EF20_C3N		Electroless Nickel Plating	C3 ~ C7	6204VV	EX-STOCK



Black Oxide (Application : General case)



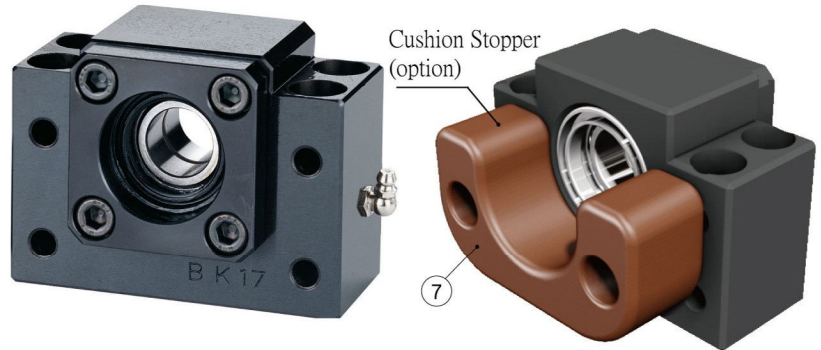
Electroless Nickel Plating (Application : Clean room)

**Note :**

1. It is used double pressed steel cages for Black Oxide type support units .
2. It is used double plastic cages for Electroless Nickel Plating type support units .
3. All of bearings use Japanese & Taiwanese brand bearings.

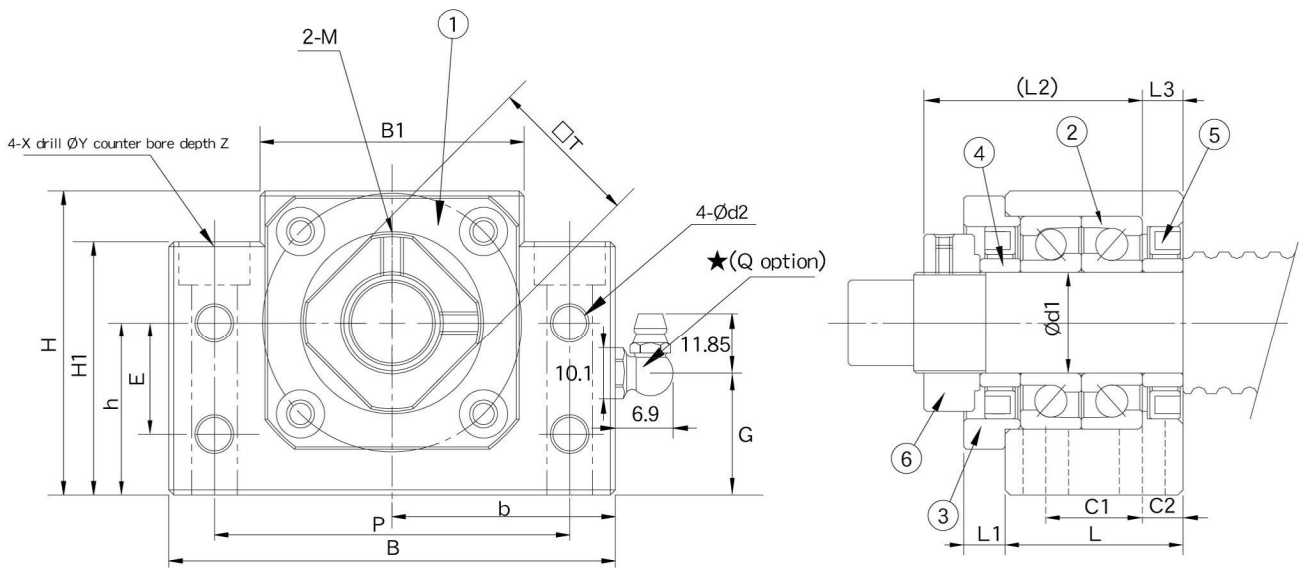
## Support Unit BK (fixed-side rectangular type)

No.	Part name	Qty
1	Housing	1
2	Bearing	1 set
3	Holding lid	1
4	Collar	2
5	Seal	2
6	Lock nut	1set
7	Cushion Stopper (option)	1



BK10~BK20

# BK



Unit : mm

Model No.	Shaft diameter d1	L	L1	L2	L3	B	H	b		h	B1	H1	E	P	C1	C2	d2	X	Y	Z	M	T	G	Q	Weight (Kgs)
								±0.02	±0.02																
BK10	10	25	5	29.5	5	60	39	30	22	34	32.5	15	46	13	6	5.5	6.6	10.8	5	M3	16	15	M6	0.4	
BK12	12	25	5	29.5	5	60	43	30	25	34	32.5	18	46	13	6	5.5	6.6	10.8	1.5	M4	19	18	M6	0.41	
BK15	15	27	6	32	6	70	48	35	28	40	38	18	54	15	6	5.5	6.6	11	6.5	M4	22	18	M6	0.58	
BK17	17	35	9	44	7	86	64	43	39	50	55	28	68	19	8	6.6	9	14	8.5	M4	24	30	M6	1.3	
BK20	20	35	8	43	8	88	60	44	34	52	50	22	70	19	8	6.6	9	14	8.5	M4	30	24	M6	1.2	
BK25	25	42	12	54	9	106	80	53	48	64	70	33	85	22	10	9	11	17	11	M6	35	37	M6	2.35	
BK30	30	45	14	61	9	128	89	64	51	76	78	33	102	23	11	11	14	20	13	M6	40	37	M6	3.33	
BK35	35	50	14	67	12	140	96	70	52	88	79	35	114	26	12	11	14	20	13	M6	50	37	M6	4.4	
BK40	40	61	18	76	15	160	110	80	60	100	90	37	130	33	14	14	18	26	17.5	M6	50	43	M6	6.8	

# Support Unit BK (fixed-side rectangular type)

Order Coding	Model No.	Surface treatment	Applicable ballscrew accuracy grade	Bearing		Delivery date 
				Model No.	Max. Starting torque (gf-cm)	
BK10	BK10	Black Oxide	C3 ~ C10	7000A P5	190	EX-STOCK
BK10_C5			C5 ~ C10	7000A P0	190	EX-STOCK
BK10_C3			C3	7000A P5	190	EX-STOCK
BK10_N		Electroless Nickel Plating	C3 ~ C10	7000A P5	190	EX-STOCK
BK10_C5N			C5 ~ C10	7000A P0	190	3 days
BK10_C3N			C3	7000A P5	190	3 days
BK12	BK12	Black Oxide	C3 ~ C10	7001A P5	210	EX-STOCK
BK12_C5			C5 ~ C10	7001A P0	210	EX-STOCK
BK12_C3			C3	7001A P5	210	EX-STOCK
BK12_N		Electroless Nickel Plating	C3 ~ C10	7001A P5	210	EX-STOCK
BK12_C5N			C5 ~ C10	7001A P0	210	EX-STOCK
BK12_C3N			C3	7001A P5	210	3 days
BK15	BK15	Black Oxide	C3 ~ C10	7002A P5	230	EX-STOCK
BK15_C5			C5 ~ C10	7002A P0	230	EX-STOCK
BK15_C3			C3	7002A P5	230	EX-STOCK
BK15_N		Electroless Nickel Plating	C3 ~ C10	7002A P5	230	EX-STOCK
BK15_C5N			C5 ~ C10	7002A P0	230	EX-STOCK
BK15_C3N			C3	7002A P5	230	3 days
BK17	BK17	Black Oxide	C3 ~ C10	7203A P5	370	EX-STOCK
BK17_C5			C5 ~ C10	7203A P0	370	3 days
BK17_C3			C3	7203A P5	370	3 days
BK17_N		Electroless Nickel Plating	C3 ~ C10	7203A P5	370	EX-STOCK
BK17_C5N			C5 ~ C10	7203A P0	370	3 days
BK17_C3N			C3	7203A P5	370	3 days
BK20	BK20	Black Oxide	C3 ~ C10	7004A P5	380	EX-STOCK
BK20_C5			C5 ~ C10	7004A P0	380	3 days
BK20_C3			C3	7004A P5	380	3 days
BK20_N		Electroless Nickel Plating	C3 ~ C10	7004A P5	380	EX-STOCK
BK20_C5N			C5 ~ C10	7004A P0	380	3 days
BK20_C3N			C3	7004A P5	380	3 days



Black Oxide  
(Application : General case)





Electroless Nickel Plating  
(Application : Clean room)

**Note :**

1. All types make Preload.
2. All of bearings use Japanese & Taiwanese brand bearings (Model No. in blue), Assembly by DF way. The most suitable way for ballscrew use.
3. The standard type is without Q, if required, please advise in advance.


# Support Unit BK (fixed-side rectangular type)

Order Coding	Model No.	Surface treatment	Applicable ballscrew accuracy grade	Bearing		Delivery date 
				Model No.	Max. Starting torque (gf-cm)	
BK25	BK25	Black Oxide	C3 ~ C10	7205A P5	730	EX-STOCK
BK25_C5			C5 ~ C10	7205A P0	730	EX-STOCK
BK25B_C5			C5 ~ C10	7205B P0	1000	EX-STOCK
BK25_C3			C3	7205A P5	730	EX-STOCK
BK25_N		Electroless Nickel Plating	C3 ~ C10	7205A P5	730	EX-STOCK
BK25_C5N			C5 ~ C10	7205A P0	730	3 days
BK25B_C5N			C5 ~ C10	7205B P0	1000	3 days
BK25_C3N			C3	7205A P5	730	3 days
BK30_C5	BK30	Black Oxide	C5 ~ C10	7206A P0	1050	EX-STOCK
BK30B_C5			C5 ~ C10	7206B P0	1250	EX-STOCK
BK30_C5N		Electroless Nickel Plating	C5 ~ C10	7206A P0	1050	EX-STOCK
BK30B_C5N			C5 ~ C10	7206B P0	1250	3 days
BK35_C5	BK35	Black Oxide	C5 ~ C10	7207B P0	1320	EX-STOCK
BK35_C5N		Electroless Nickel Plating	C5 ~ C10	7207B P0	1320	3 days
BK40_C5	BK40	Black Oxide	C5 ~ C10	7208B P0	2050	EX-STOCK
BK40_C5N		Electroless Nickel Plating	C5 ~ C10	7208B P0	2050	EX-STOCK



★Q option

Black Oxide  
(Application : General case)



★Q option

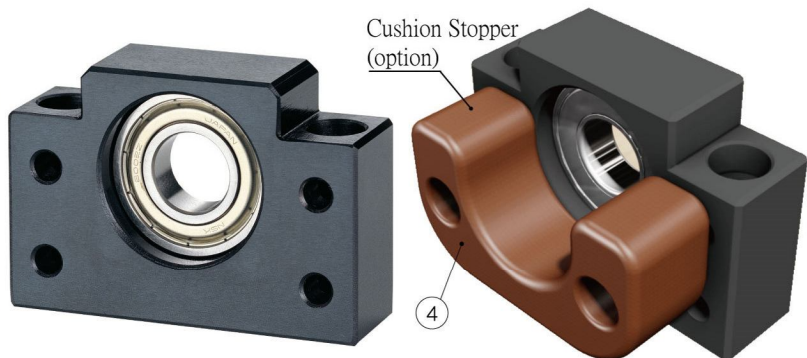
Electroless Nickel Plating  
(Application : Clean room)

**Note :**

1. All types make Preload.
2. All of bearings use Japanese & Taiwanese brand bearings (Model No. in blue), Assembly by DF way. The most suitable way for ballscrew use.
3. The standard type is without Q, if required, please advise in advance.

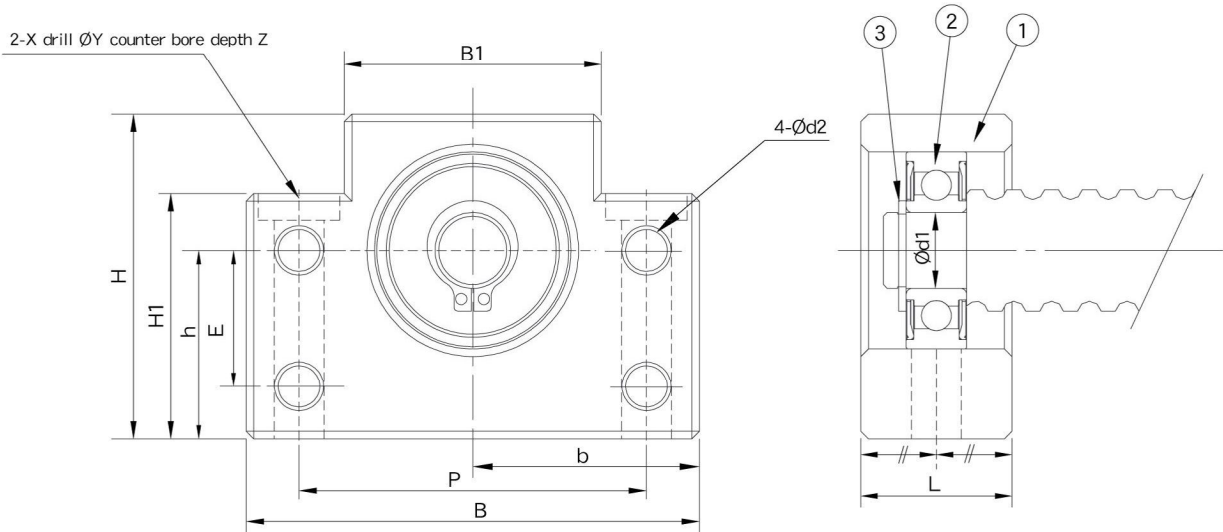
Support Unit BF  
(Supported-side rectangular type)

No.	Part name	Qty
1	Housing	1
2	Bearing	1 set
3	Snap ring	1
4	Cushion Stopper (option)	1



BF10~BF30

**BF**



Unit : mm

Model No.	Shaft diameter d1	L	B	H	b ±0.02	h ±0.02	B1	H1	E	P	d2	X	Y	Z	Bearing	Snap ring	Weight (Kgs)
BF10	8	20	60	39	30	22	34	32.5	15	46	5.5	6.6	10.8	5	608ZZ	S 08	0.3
BF12	10	20	60	43	30	25	34	32.5	18	46	5.5	6.6	10.8	1.5	6000ZZ	S 10	0.3
BF15	15	20	70	48	35	28	40	38	18	54	5.5	6.6	11	6.5	6002ZZ	S 15	0.4
BF17	17	23	86	64	43	39	50	55	28	68	6.6	9	14	8.5	6203ZZ	S 17	0.75
BF20	20	26	88	60	44	34	52	50	22	70	6.6	9	14	8.5	6004ZZ	S 20	0.76
BF20H	20	26	88	74	44	48	52	64	-	70	-	9	14	8.5	6004ZZ	S20	1.02
BF25	25	30	106	80	53	48	64	70	33	85	9	11	17	11	6205ZZ	S 25	1.43
SF25	25	32	128	89	64	51	76	78	-	102	-	14	20	13	6205ZZ	S 25	-
BF30	30	32	128	89	64	51	76	78	33	102	11	14	20	13	6206ZZ	S 30	1.94
BF35	35	32	140	96	70	52	88	79	35	114	11	14	20	13	6207ZZ	S 35	2.25
SF40	40	32	140	96	70	52	88	79	-	114	-	14	20	13	6208ZZ	S 40	-
BF40	40	37	160	110	80	60	100	90	37	130	14	18	26	17.5	6208ZZ	S 40	3.3

## Support Unit BF (Supported-side rectangular type)

Order Coding	Model No.	Surface treatment	Applicable ballscrew accuracy grade	Bearing	Delivery date
BF10_C3	BF10	Black Oxide	C3 ~ C7	608ZZ	EX-STOCK
BF10_C3N		Electroless Nickel Plating	C3 ~ C7	608VV	EX-STOCK
BF12_C3	BF12	Black Oxide	C3 ~ C7	6000ZZ	EX-STOCK
BF12_C3N		Electroless Nickel Plating	C3 ~ C7	6000VV	EX-STOCK
BF15_C3	BF15	Black Oxide	C3 ~ C7	6002ZZ	EX-STOCK
BF15_C3N		Electroless Nickel Plating	C3 ~ C7	6002VV	EX-STOCK
BF17_C3	BF17	Black Oxide	C3 ~ C7	6203ZZ	EX-STOCK
BF17_C3N		Electroless Nickel Plating	C3 ~ C7	6203VV	EX-STOCK
BF20_C3	BF20	Black Oxide	C3 ~ C7	6004ZZ	EX-STOCK
BF20_C3N		Electroless Nickel Plating	C3 ~ C7	6004VV	EX-STOCK
BF25_C3	BF25	Black Oxide	C3 ~ C7	6205ZZ	EX-STOCK
BF25_C3N		Electroless Nickel Plating	C3 ~ C7	6205VV	EX-STOCK
BF30_C3	BF30	Black Oxide	C3 ~ C7	6206ZZ	EX-STOCK
BF30_C3N		Electroless Nickel Plating	C3 ~ C7	6206VV	EX-STOCK
BF35_C3	BF35	Black Oxide	C3 ~ C7	6207ZZ	EX-STOCK
BF35_C3N		Electroless Nickel Plating	C3 ~ C7	6207VV	EX-STOCK
BF40_C3	BF40	Black Oxide	C3 ~ C7	6208ZZ	EX-STOCK
BF40_C3N		Electroless Nickel Plating	C3 ~ C7	6208VV	EX-STOCK



**Black Oxide**  
(Application : General case)



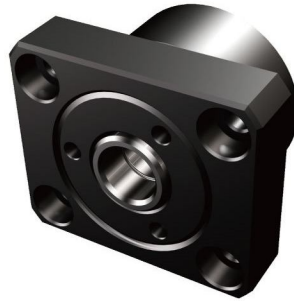
**Electroless Nickel Plating**  
(Application : Clean room)

**Note :**

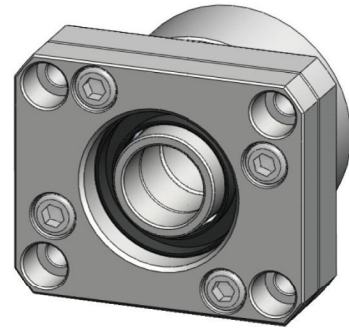
1. It is used double pressed steel cages for Black Oxide type support units .
2. It is used double plastic cages for Electroless Nickel Plating type support units .
3. All of bearings use Japanese & Taiwanese brand bearings.

Support Unit FKA  
(fixed-side round type)

No.	Part name	Qty
1	Housing	1
2	Bearing	1 set
3	Holding lid	1
4	Collar	2
5	Seal	1~2
6	Lock nut	1set

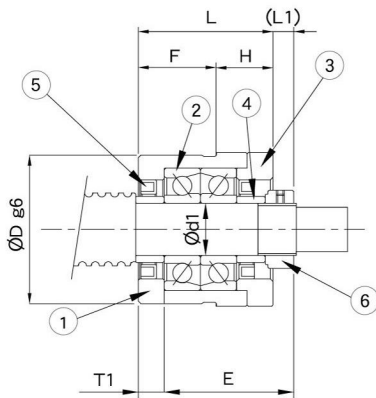


(FKA06~08)

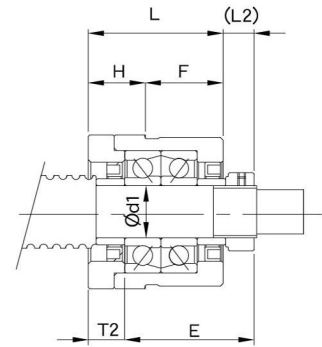
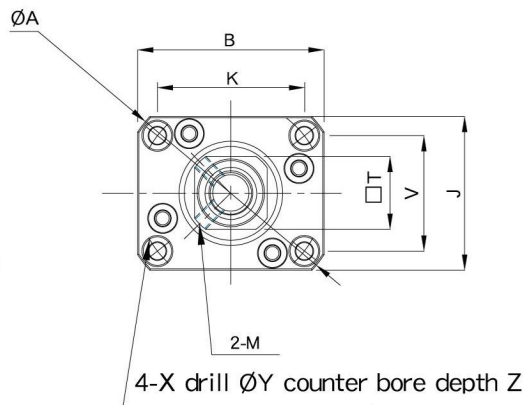


(FKA10~20)

FKA06~FKA20



Mounting method A  
FKA15H is not applicable



Mounting method B

Unit : mm

Model No.	Shaft diameter d1	L	H	F	E	Dg6	A	B	J	K	V	Mounting method A		Mounting method B		X	Y	Z	M	T	Weight (Kgs)
												L1	T1	L2	T2						
FKA06	6	20	7	13	22	28 -0.007 -0.02	44	36	30	26.79	20.93	5.5	3.5	6.5	4.5	3.4	6.5	4	M3	12	0.14
FKA08	8	23	9	14	26	28 -0.007 -0.02	44	36	30	26.79	20.93	7	4	8	5	3.4	6.5	4	M3	14	0.15
FKA10	10	27	10	17	29.5	36 -0.009 -0.025	56	48	39	35.7	27.39	7.5	5	8.5	6	4.5	8	4	M3	16	0.26
FKA12	12	27	10	17	29.5	36 -0.009 -0.025	56	48	39	35.7	27.39	7.5	5	8.5	6	4.5	8	4	M4	19	0.3
FKA15	15	32	15	17	36	40 -0.009 -0.025	65	56	43	39.4	30.78	10	6	12	8	5.5	9.5	6	M4	22	0.37
FKA15H	15	43	17	26	40	50 -0.009 -0.025	63	63	52	49.64	38.79	4	7	7	10	5.5	9.5	8	M4	22	-
FKA20L	20	41	17	24	43	50 -0.009 -0.025	63	63	52	49.64	38.79	9	7	12	10	5.5	9.5	8	M4	30	-
FKA20	20	52	22	30	50	57 -0.010 -0.029	86	72	59	56.74	44.33	8	10	12	14	6.6	11	10	M4	30	1.28

# Support Unit FKA (fixed-side round type)

Order Code	Model No.	Surface treatment	Applicable ballscrew accuracy grade	Bearing		Delivery date
				Model No.	Max Starting torque (gf-cm)	
FKA06	FKA06	Black Oxide	C3~C10	706A P5	50	EX-STOCK
FKA06_C5			C5 ~ C10	706A P0	50	3 days
FKA06_C3			C3	706A P5	50	3 days
FKA06_N		Electroless Nickel Plating	C3~C10	706A P5	50	3 days
FKA06_C5N			C5 ~ C10	706A P0	50	3 days
FKA06_C3N			C3	706A P5	50	3 days
 <p>(FKA06~FKA08) Black Oxide (Application : General case)</p>						
FKA08	FKA08	Black Oxide	C3 ~ C10	708A P5	90	EX-STOCK
FKA08_C5			C5 ~ C10	708A P0	90	3 days
FKA08_C3			C3	708A P5	90	3 days
FKA08_N		Electroless Nickel Plating	C3 ~ C10	708A P5	90	EX-STOCK
FKA08_C5N			C5 ~ C10	708A P0	90	3 days
FKA08_C3N			C3	708A P5	90	3 days
 <p>(FKA08~FKA08) Electroless Nickel Plating (Application : Clean room)</p>						
FKA10	FKA10	Black Oxide	C3 ~ C10	7000A P5	190	EX-STOCK
FKA10_C5			C5 ~ C10	7000A P0	190	3 days
FKA10_C3			C3	7000A P5	190	3 days
FKA10_N		Electroless Nickel Plating	C3 ~ C10	7000A P5	190	3 days
FKA10_C5N			C5 ~ C10	7000A P0	190	3 days
FKA10_C3N			C3	7000A P5	190	3 days
 <p>(FKA10~FKA20) Black Oxide (Application : General case)</p>						
FKA12	FKA12	Black Oxide	C3 ~ C10	7001A P5	210	EX-STOCK
FKA12_C5			C5 ~ C10	7001A P0	210	EX-STOCK
FKA12_C3			C3	7001A P5	210	3 days
FKA12_N		Electroless Nickel Plating	C3 ~ C10	7001A P5	210	EX-STOCK
FKA12_C5N			C5 ~ C10	7001A P0	210	3 days
FKA12_C3N			C3	7001A P5	210	3 days
 <p>(FKA12~FKA20) Electroless Nickel Plating (Application : Clean room)</p>						

## Note :

1. All types make Preload.
2. All of bearings use Japanese & Taiwanese brand bearings (Model No. in blue), Assembly by DF way. The most suitable way for ballscrew use.



## Support Unit FKA (fixed-side round type)

Order Code	Model No.	Surface treatment	Applicable ballscrew accuracy grade	Bearing		Delivery date
				Model No.	Max. Starting torque (gf-cm)	
FKA15	FKA15	Black Oxide	C3 ~ C10	7002A P5	230	EX-STOCK
FKA15_C5			C5 ~ C10	7002A P0	230	3 days
FKA15_C3			C3	7002A P5	230	3 days
FKA15_N		Electroless Nickel Plating	C3 ~ C10	7002A P5	230	EX-STOCK
FKA15_C5N			C5 ~ C10	7002A P0	230	3 days
FKA15_C3N			C3	7002A P5	230	3 days
FKA15H	FKA15H	Black Oxide	C3 ~ C10	7302A P5	380	EX-STOCK
FKA20L	FKA20L	Black Oxide	C3 ~ C10	7004A P5	380	EX-STOCK
FKA20L_C3			C3	7004A P5	380	3 days
FKA20	FKA20	Black Oxide	C3 ~ C10	7204A P5	550	EX-STOCK
FKA20_C5			C5 ~ C10	7204A P0	550	EX-STOCK
FKA20B_C5			C5 ~ C10	7204B P0	660	3 days
FKA20_C3			C3	7204A P5	550	3 days
FKA20_N		Electroless Nickel Plating	C3 ~ C10	7204A P5	550	EX-STOCK
FKA20_C5N			C5 ~ C10	7204A P0	550	3 days
FKA20B_C5N			C5 ~ C10	7204B P0	660	3 days
FKA20_C3N			C3	7204A P5	550	3 days



(FKA10~FKA20)  
Black Oxide  
(Application : General case)

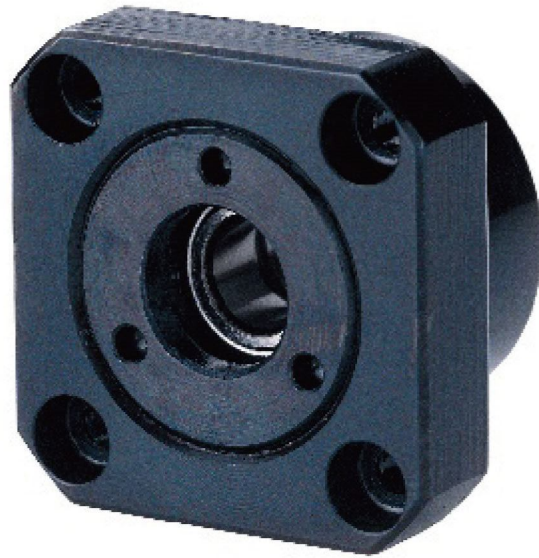


(FKA10~FKA20)  
Electroless Nickel Plating  
(Application : Clean room)

**Note :**

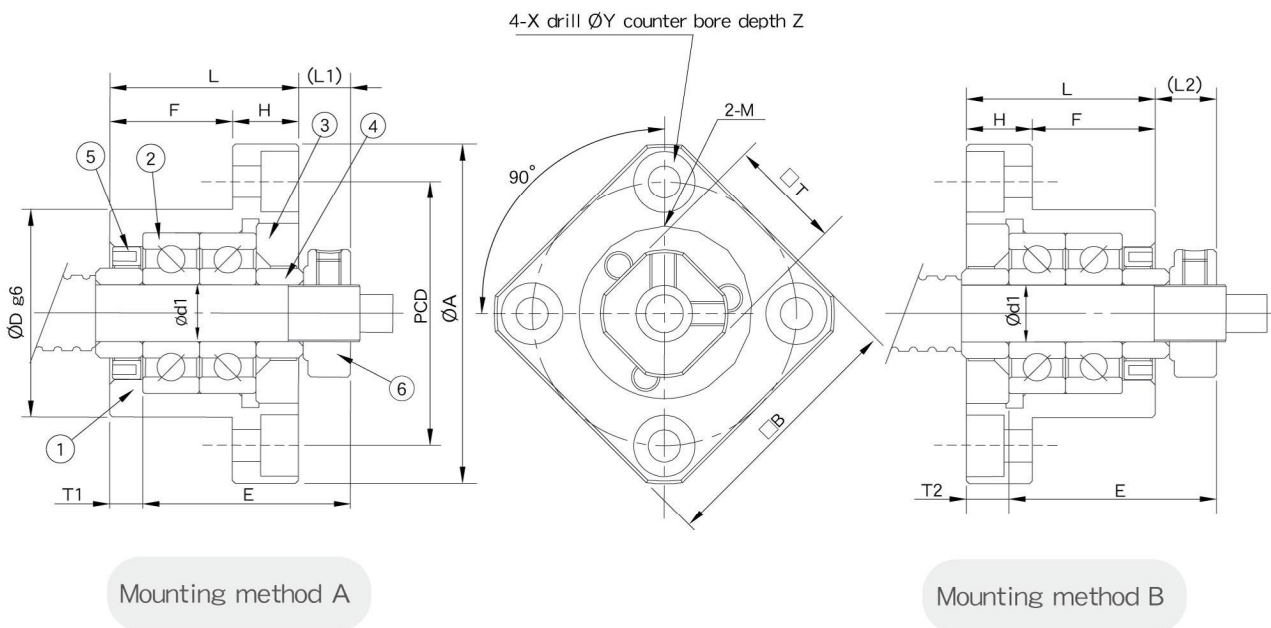
1. All types make Preload.
2. All of bearings use Japanese & Taiwanese brand bearings (Model No. in blue), Assembly by DF way. The most suitable way for ballscrew use.

# Support Unit FK (fixed-side round type)



No.	Part name	Qty
1	Housing	1
2	Bearing	1 set
3	Holding lid	1
4	Collar	2
5	Seal	1
6	Lock nut	1set

## FK05~FK08



Unit : mm

Model No.	Shaft diameter $d1$	L	H	F	E	Dg6	A	PCD	B	Mounting method A		Mounting method B		X	Y	Z	M	T	Weight (Kgs)	
										L1	T1	L2	T2							
FK05	5	16.5	6	10.5	18.5	20	-0.007 -0.02	34	26	26	5.5	3.5	5	3	3.4	6.5	4	M3	11	0.08
FK06	6	20	7	13	22	22	-0.007 -0.02	36	28	28	5.5	3.5	6.5	4.5	3.4	6.5	4	M3	12	0.1
FK08	8	23	9	14	26	28	-0.007 -0.02	43	35	35	7	4	8	5	3.4	6.5	4	M3	14	0.15

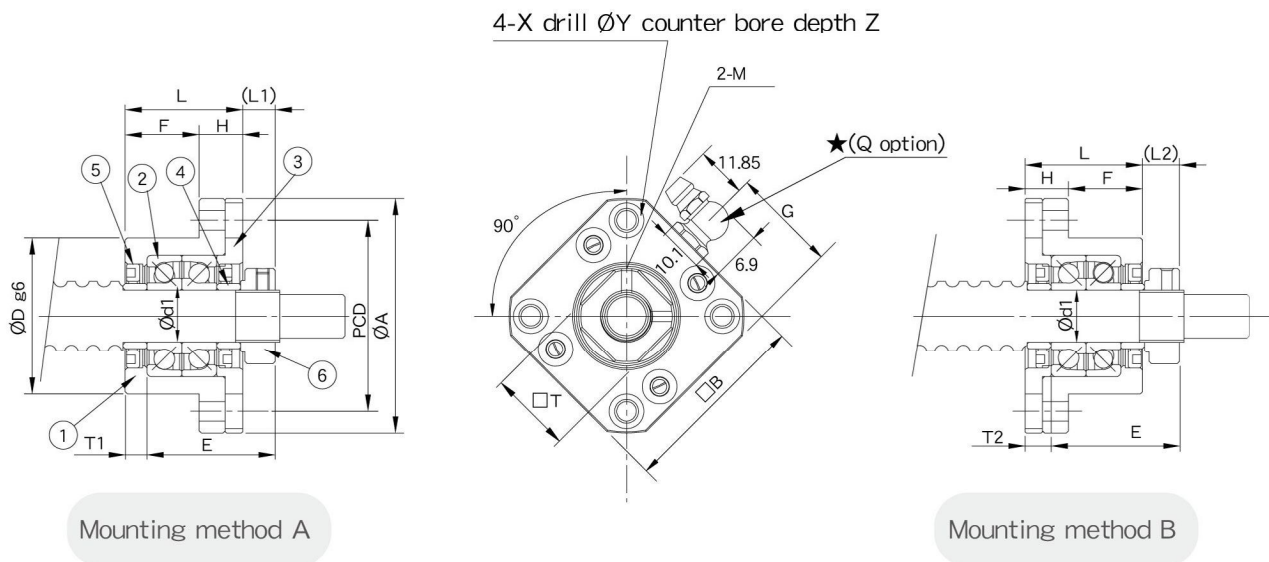


## Support Unit FK (fixed-side round type)

The position of oil grease is for reference only,  
please visit our website to get more information on it.

No.	Part name	Qty
1	Housing	1
2	Bearing	1 set
3	Holding lid	1
4	Collar	2
5	Seal	2
6	Lock nut	1set

## FK10~FK30



Unit : mm

Model No.	Shaft diameter d1	L	H	F	E	Dg6	A	PCD	B	Mounting method A		Mounting method B		X	Y	Z	M	T	G	Q	Weight (Kgs)
										L1	T1	L2	T2								
FK10	10	27	10	17	29.5	34 -0.009 -0.025	52	42	42	7.5	5	8.5	6	4.5	8	4	M3	16	-	-	0.23
FK12	12	27	10	17	29.5	36 -0.009 -0.025	54	44	44	7.5	5	8.5	6	4.5	8	4	M4	19	-	-	0.25
FK15	15	32	15	17	36	40 -0.009 -0.025	63	50	52	10	6	12	8	5.5	9.5	6	M4	22	26	M6	0.39
FK17	17	45	22	23	47	50 -0.009 -0.025	77	62	61	11	9	14	12	6.6	11	10	M4	24	30.5	M6	0.81
FK20	20	52	22	30	50	57 -0.010 -0.029	85	70	68	8	10	12	14	6.6	11	10	M4	30	34	M6	1.02
FK25	25	57	27	30	59	63 -0.010 -0.029	98	80	79	13	10	20	17	9	15	13	M5	35	39.5	M6	1.48
FK30	30	62	30	32	61	75 -0.010 -0.029	117	95	93	11	12	17	18	11	17.5	15	M6	40	46.5	M6	2.32

# Support Unit FK (fixed-side round type)

Order Coding	Model No.	Surface treatment	Applicable ballscrew accuracy grade	Bearing		Delivery date 
				Model No.	Max. Starting torque (gf-cm)	
FK06	FK06	Black Oxide	C3~C10	706A P5	50	EX-STOCK
FK06_C5			C5 ~ C10	706A P0	50	EX-STOCK
FK06_C3			C3	706A P5	50	EX-STOCK
FK06_N		Electroless Nickel Plating	C3~C10	706A P5	50	3 days
FK06_C5N			C5 ~ C10	706A P0	50	3 days
FK06_C3N			C3	706A P5	50	3 days
FK08	FK08	Black Oxide	C3 ~ C10	708A P5	90	EX-STOCK
FK08_C5			C5 ~ C10	708A P0	90	EX-STOCK
FK08_C3			C3	708A P5	90	EX-STOCK
FK08_N		Electroless Nickel Plating	C3 ~ C10	708A P5	90	EX-STOCK
FK08_C5N			C5 ~ C10	708A P0	90	3 days
FK08_C3N			C3	708A P5	90	3 days
FK10	FK10	Black Oxide	C3 ~ C10	7000A P5	190	EX-STOCK
FK10_C5			C5 ~ C10	7000A P0	190	EX-STOCK
FK10_C3			C3	7000A P5	190	EX-STOCK
FK10_N		Electroless Nickel Plating	C3 ~ C10	7000A P5	190	EX-STOCK
FK10_C5N			C5 ~ C10	7000A P0	190	3 days
FK10_C3N			C3	7000A P5	190	3 days
FK12	FK12	Black Oxide	C3 ~ C10	7001A P5	210	EX-STOCK
FK12_C5			C5 ~ C10	7001A P0	210	EX-STOCK
FK12_C3			C3	7001A P5	210	EX-STOCK
FK12_N		Electroless Nickel Plating	C3 ~ C10	7001A P5	210	EX-STOCK
FK12_C5N			C5 ~ C10	7001A P0	210	EX-STOCK
FK12_C3N			C3	7001A P5	210	EX-STOCK
FK15	FK15	Black Oxide	C3 ~ C10	7002A P5	230	EX-STOCK
FK15_C5			C5 ~ C10	7002A P0	230	EX-STOCK
FK15_C3			C3	7002A P5	230	EX-STOCK
FK15_N		Electroless Nickel Plating	C3 ~ C10	7002A P5	230	EX-STOCK
FK15_C5N			C5 ~ C10	7002A P0	230	EX-STOCK
FK15_C3N			C3	7002A P5	230	3 days



**Black Oxide**  
(Application : General case)



**Electroless Nickel Plating**  
(Application : Clean room)

**Note :**

1. All types make Preload.
2. All of bearings use Japanese & Taiwanese brand bearings (Model No. in blue), Assembly by DF way. The most suitable way for ballscrew use.

# Support Unit FK (fixed-side round type)

Order Coding	Model No.	Surface treatment	Applicable ballscrew accuracy grade	Bearing		Delivery date
				Model No.	Max.Starting torque (g·cm)	
FK17	FK17	Black Oxide	C3 ~ C10	7203A P5	370	EX-STOCK
FK17_C5			C5 ~ C10	7203A P0	370	3 days
FK17_C3			C3	7203A P5	370	3 days
FK17_N		Electroless Nickel Plating	C3 ~ C10	7203A P5	370	EX-STOCK
FK17_C5N			C5 ~ C10	7203A P0	370	3 days
FK17_C3N			C3	7203A P5	370	3 days
FK20	FK20	Black Oxide	C3 ~ C10	7204A P5	550	EX-STOCK
FK20_C5			C5 ~ C10	7204A P0	550	EX-STOCK
FK20B_C5			C5 ~ C10	7204B P0	660	EX-STOCK
FK20_C3			C3	7204A P5	550	EX-STOCK
FK20_N		Electroless Nickel Plating	C3 ~ C10	7204A P5	550	EX-STOCK
FK20_C5N			C5 ~ C10	7204A P0	550	3 days
FK20B_C5N			C5 ~ C10	7204B P0	660	3 days
FK20_C3N			C3	7204A P5	550	3 days
FK25			FK25	Black Oxide	C3 ~ C10	7205A P5
FK25_C5	C5 ~ C10	7205A P0			730	EX-STOCK
FK25B_C5	C5 ~ C10	7205B P0			1000	EX-STOCK
FK25_C3	C3	7205A P5		730	3 days	
FK25_N	Electroless Nickel Plating	C3 ~ C10		7205A P5	730	EX-STOCK
FK25_C5N		C5 ~ C10		7205A P0	730	3 days
FK25B_C5N		C5 ~ C10		7205B P0	1000	3 days
FK25_C3N		C3		7205A P5	730	3 days
FK30_C5		FK30	Black Oxide	C5 ~ C10	7206A P0	1050
FK30B_C5	C5 ~ C10			7206B P0	1250	EX-STOCK
FK30_C5N	Electroless Nickel Plating		C5 ~ C10	7206A P0	1050	EX-STOCK
FK30B_C5N			C5 ~ C10	7206B P0	1250	3 days



Black Oxide  
(Application : General case)



(Application : Clean room)  
Electroless Nickel Plating

**Note :**

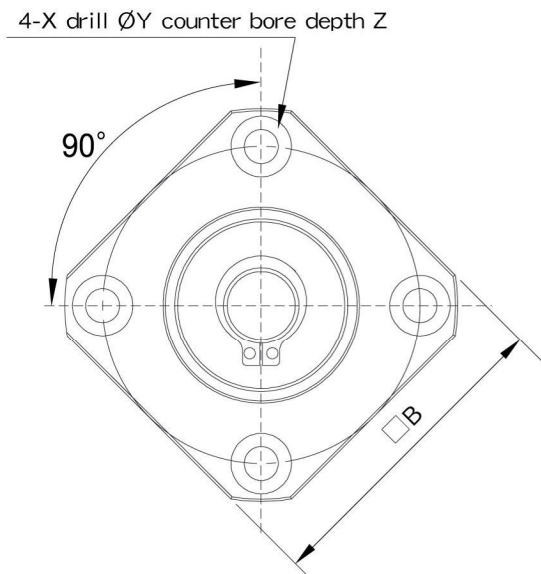
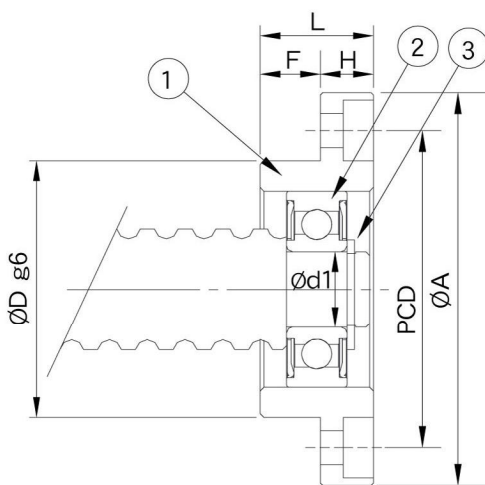
- 1.All types make Preload.
2. All of bearings use Japanese & Taiwanese brand bearings(Model No. in blue),  
Assembly by DF way. The most suitable way for ballscrew use.
3. The standard type is without Q , if required, please advise in advance.

Support Unit FF  
(Supported-side round type)



No.	Part name	Qty
1	Housing	1
2	Bearing	1 set
3	Snap ring	1

FF



Unit : mm

Model No.	Shaft diameter d1	L	H	F	Dg6	A	PCD	B	X	Y	Z	Bearing	Snap ring	Weight (Kgs)
FF06	6	10	6	4	22 -0.007 -0.02	36	28	28	3.4	6.5	4	606ZZ	S 06	0.06
FF10	8	12	7	5	28 -0.007 -0.02	43	35	35	3.4	6.5	4	608ZZ	S 08	0.1
FF12	10	15	7	8	34 -0.009 -0.025	52	42	42	4.5	8	4	6000ZZ	S 10	0.13
FF15	15	17	9	8	40 -0.009 -0.025	63	50	52	5.5	9.5	5.5	6002ZZ	S 15	0.2
FF17	17	20	11	9	50 -0.009 -0.025	77	62	61	6.6	11	6.5	6203ZZ	S17	0.33
FF20	20	20	11	9	57 -0.010 -0.029	85	70	68	6.6	11	6.5	6204ZZ	S 20	0.43
FF25	25	24	14	10	63 -0.010 -0.029	98	80	79	9	14	8.5	6205ZZ	S 25	0.66
FF30	30	27	18	9	75 -0.010 -0.029	117	95	93	11	17	11	6206ZZ	S 30	1.03

## Support Unit FF (Supported-side round type)

Order Coding	Model No.	Surface treatment	Applicable ballscrew accuracy grade	Bearing	Delivery date
FF06_C3	FF06	Black Oxide	C3 ~ C7	606ZZ	EX-STOCK
FF06_C3N		Electroless Nickel Plating	C3 ~ C7	606VV	3 days
FF10_C3	FF10	Black Oxide	C3 ~ C7	608ZZ	EX-STOCK
FF10_C3N		Electroless Nickel Plating	C3 ~ C7	608VV	EX-STOCK
FF12_C3	FF12	Black Oxide	C3 ~ C7	6000ZZ	EX-STOCK
FF12_C3N		Electroless Nickel Plating	C3 ~ C7	6000VV	EX-STOCK
FF15_C3	FF15	Black Oxide	C3 ~ C7	6002ZZ	EX-STOCK
FF15_C3N		Electroless Nickel Plating	C3 ~ C7	6002VV	EX-STOCK
FF17_C3	FF17	Black Oxide	C3 ~ C7	6203ZZ	EX-STOCK
FF17_C3N		Electroless Nickel Plating	C3 ~ C7	6203VV	EX-STOCK
FF20_C3	FF20	Black Oxide	C3 ~ C7	6204ZZ	EX-STOCK
FF20_C3N		Electroless Nickel Plating	C3 ~ C7	6204VV	EX-STOCK
FF25_C3	FF25	Black Oxide	C3 ~ C7	6205ZZ	EX-STOCK
FF25_C3N		Electroless Nickel Plating	C3 ~ C7	6205VV	EX-STOCK
FF30_C3	FF30	Black Oxide	C3 ~ C7	6206ZZ	EX-STOCK
FF30_C3N		Electroless Nickel Plating	C3 ~ C7	6206VV	EX-STOCK



**Black Oxide**  
(Application : General case)

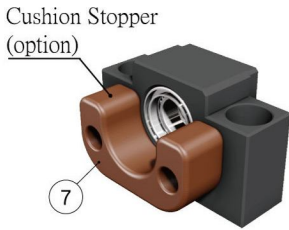


**Electroless Nickel Plating**  
(Application : Clean room)

**Note :**

1. It is used double pressed steel cages for Black Oxide type support units .
2. It is used double plastic cages for Electroless Nickel Plating type support units .
3. All of bearings use Japanese & Taiwanese brand bearings.

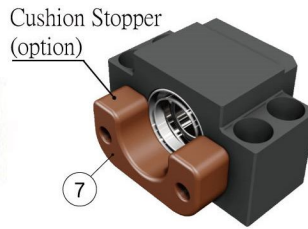
# Support Unit AK (fixed-side rectangular type)



AK10~AK15

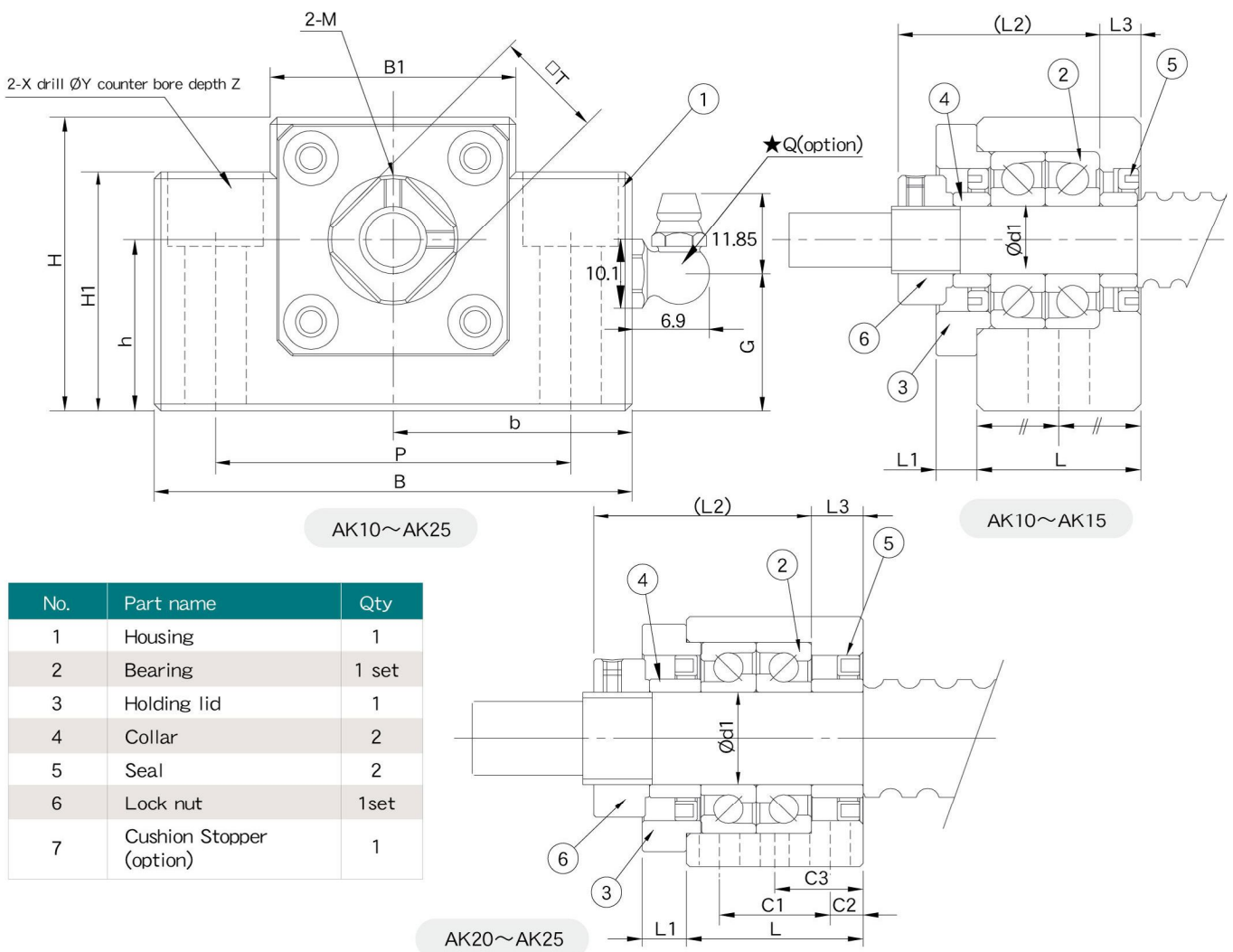


AK20



AK25

## AK



No.	Part name	Qty
1	Housing	1
2	Bearing	1 set
3	Holding lid	1
4	Collar	2
5	Seal	2
6	Lock nut	1set
7	Cushion Stopper (option)	1

Unit : mm

Model No.	Shaft diameter d1	L	L1	L2	L3	B	H	b ±0.02	h ±0.02	B1	H1	P	X	Y	Z	M	T	C1	C2	C3	G	Q	Weight (Kgs)
AK10	10	24	6	29.5	6	70	43	35	25	36	35	52	9	14	11	M3	16	-	-	-	20	M6	0.5
AK12	12	24	6	29.5	6	70	43	35	25	36	35	52	9	14	11	M4	19	-	-	-	20	M6	0.5
AK15	15	25	6	36	5	80	49	40	30	41	40	60	11	17	15	M4	22	-	-	-	21	M6	0.62
AK20	20	42	10	50	10	95	58	47.5	30	56	45	75	11	17	15	M4	30	22	10	-	24	M6	1.43
AK25	25	48	12	59	14	105	68	52.5	35	66	25	85	11	-	-	M5	35	30	9	24	58	-	1.92



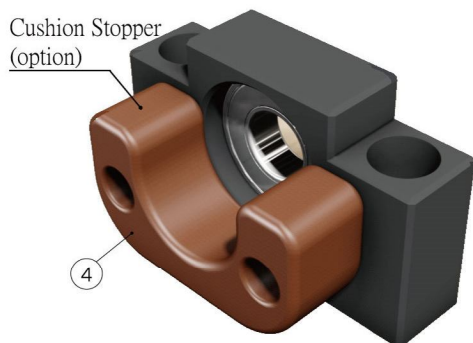
# Support Unit AK (fixed-side rectangular type)

Order Codin	Model No.	Surface treatment	Applicable ballscrew accuracy grade	Bearing		Delivery date 	
				Model No.	Max. Starting torque (gf-cm)		
AK10	AK10	Black Oxide	C3 ~ C10	7000A P5	190	EX-STOCK	 <p>★Q option</p>
AK10_C5			C5 ~ C10	7000A P0	190	EX-STOCK	
AK10_C3			C3	7000A P5	190	EX-STOCK	
AK10_N		Electroless Nickel Plating	C3 ~ C10	7000A P5	190	3 days	
AK10_C5N			C5 ~ C10	7000A P0	190	3 days	
AK10_C3N			C3	7000A P5	190	3 days	
AK12	AK12	Black Oxide	C3 ~ C10	7001A P5	210	EX-STOCK	 <p>★Q option</p>
AK12_C5			C5 ~ C10	7001A P0	210	EX-STOCK	
AK12_C3			C3	7001A P5	210	EX-STOCK	
AK12_N		Electroless Nickel Plating	C3 ~ C10	7001A P5	210	EX-STOCK	
AK12_C5N			C5 ~ C10	7001A P0	210	3 days	
AK12_C3N			C3	7001A P5	210	3 days	
AK15	AK15	Black Oxide	C3 ~ C10	7002A P5	230	EX-STOCK	 <p>★Q option</p>
AK15_C5			C5 ~ C10	7002A P0	230	EX-STOCK	
AK15_C3			C3	7002A P5	230	EX-STOCK	
AK15_N		Electroless Nickel Plating	C3 ~ C10	7002A P5	230	EX-STOCK	
AK15_C5N			C5 ~ C10	7002A P0	230	3 days	
AK15_C3N			C3	7002A P5	230	3 days	
AK20	AK20	Black Oxide	C3 ~ C10	7204A P5	380	EX-STOCK	 <p>★Q option</p>
AK20_C5			C5 ~ C10	7204A P0	380	EX-STOCK	
AK20B_C5			C5 ~ C10	7204B P0	550	EX-STOCK	
AK20_C3			C3	7204A P5	380	3 days	
AK20_N		Electroless Nickel Plating	C3~10	7204A P5	380	3 days	
AK20_C5N			C5 ~ C10	7204A P0	380	3 days	
AK20B_C5N			C5 ~ C10	7204B P0	550	3 days	
AK20_C3N			C3	7204A P5	380	3 days	
AK25	AK25	Black Oxide	C3~10	7205A P5	730	EX-STOCK	 <p>★Q option</p>
AK25_C5			C5 ~ C10	7205A P0	730	EX-STOCK	
AK25B_C5			C5 ~ C10	7205B P0	1000	3 days	
AK25_C3			C3	7205A P5	730	3 days	
AK25_N		Electroless Nickel Plating	C3~10	7205A P5	730	EX-STOCK	
AK25_C5N			C5 ~ C10	7205A P0	730	3 days	
AK25B_C5N			C5 ~ C10	7205B P0	1000	3 days	
AK25_C3N			C3	7205A P5	730	3 days	

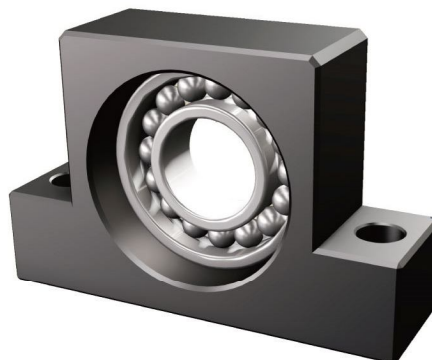
Note :

1. All types make Preload.
2. All of bearings use Japanese & Taiwanese brand bearings (Model No. in blue), Assembly by DF way. The most suitable way for ballscrew use.
3. The standard type is without Q, if required, please advise in advance.

## Support Unit AF (supported-side rectangular type)



AF10~AF20

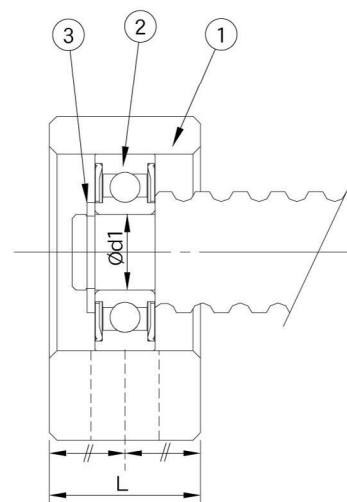
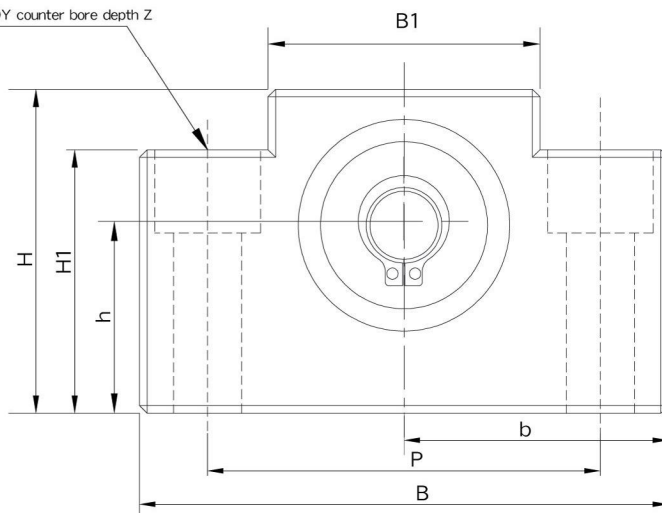


AF25

No.	Part name	Qty
1	Housing	1
2	Bearing	1 set
3	Snap ring	1
4	Cushion Stopper (option)	1

# AF

2X drill  $\varnothing Y$  counter bore depth Z



Unit : mm

Model No.	Shaft diameter $d1$	L	B	H	b $\pm 0.02$	h $\pm 0.02$	B1	H1	P	X	Y	Z	Bearing	Snap ring	Weight (Kgs)
AF10	8	20	70	43	35	25	36	35	52	9	14	11	608ZZ	S 08	0.36
AF12	10	20	70	43	35	25	36	35	52	9	14	11	6000ZZ	S 10	0.36
AF15	15	20	80	49	40	30	41	40	60	9	14	11	6002ZZ	S 15	0.44
AF20	20	26	95	58	47.5	30	56	45	75	11	17	15	6204ZZ	S 20	0.73
AF25	25	30	105	68	52.5	35	66	25	85	11	-	-	6205ZZ	S 25	0.95

## Support Unit AF (Supported-side rectangular type)

Order Coding	Model No.	Surface treatment	Applicable ballscrew accuracy grade	Bearing	Delivery date	
AF10_C3	AF10	Black Oxide	C3 ~ C7	608ZZ	EX-STOCK	 <p style="text-align: center;"><b>Black Oxide</b> (Application : General case)</p>
AF10_C3N		Electroless Nickel Plating	C3 ~ C7	608VV	3 days	
AF12_C3	AF12	Black Oxide	C3 ~ C7	6000ZZ	EX-STOCK	 <p style="text-align: center;"><b>Electroless Nickel Plating</b> (Application : Clean room)</p>
AF12_C3N		Electroless Nickel Plating	C3 ~ C7	6000VV	3 days	
AF15_C3	AF15	Black Oxide	C3 ~ C7	6002ZZ	EX-STOCK	 <p style="text-align: center;"><b>Electroless Nickel Plating</b> (Application : Clean room)</p>
AF15_C3N		Electroless Nickel Plating	C3 ~ C7	6002VV	EX-STOCK	
AF20_C3	AF20	Black Oxide	C3 ~ C7	6204ZZ	EX-STOCK	 <p style="text-align: center;"><b>Electroless Nickel Plating</b> (Application : Clean room)</p>
AF20_C3N		Electroless Nickel Plating	C3 ~ C7	6204VV	3 days	
AF25_C3	AF25	Black Oxide	C3 ~ C7	6205ZZ	EX-STOCK	 <p style="text-align: center;"><b>Black Oxide</b> (Application : General case)</p>
AF25_C3N		Electroless Nickel Plating	C3 ~ C7	6205VV	3 days	

**Note :**

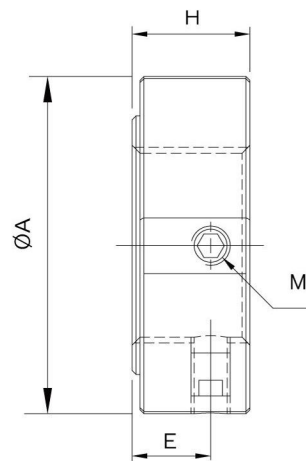
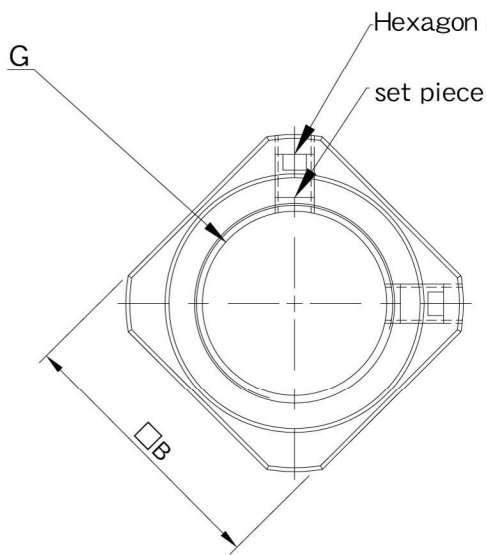
1. It is used double pressed steel cages for Black Oxide type support units .
2. It is used double plastic cages for Electroless Nickel Plating type support units .
3. All of bearings use Japanese & Taiwanese brand bearings.

# Lock Nut



No.	Part name	Qty
1	Lock nut	1 set

# Lock Nut



Unit : mm

Unit : mm

Model No.	H	A	E	M	B	G
RN05 RN05_N	5	12.5	2.7	M3x0.5	11	M5x0.5
RN06 RN06_N	5	13.5	2.7	M3x0.5	12	M6x0.75
RN08 RN08_N	6.5	16.4	4	M3x0.5	14	M8x1.0
RN10 RN10_N	8	19	5.5	M3x0.5	16	M10x1.0
RN12 RN12_N	8	22.8	5.5	M4x0.7	19	M12x1.0
RN15 RN15_N	8	25.8	4.75	M4x0.7	22	M15x1.0

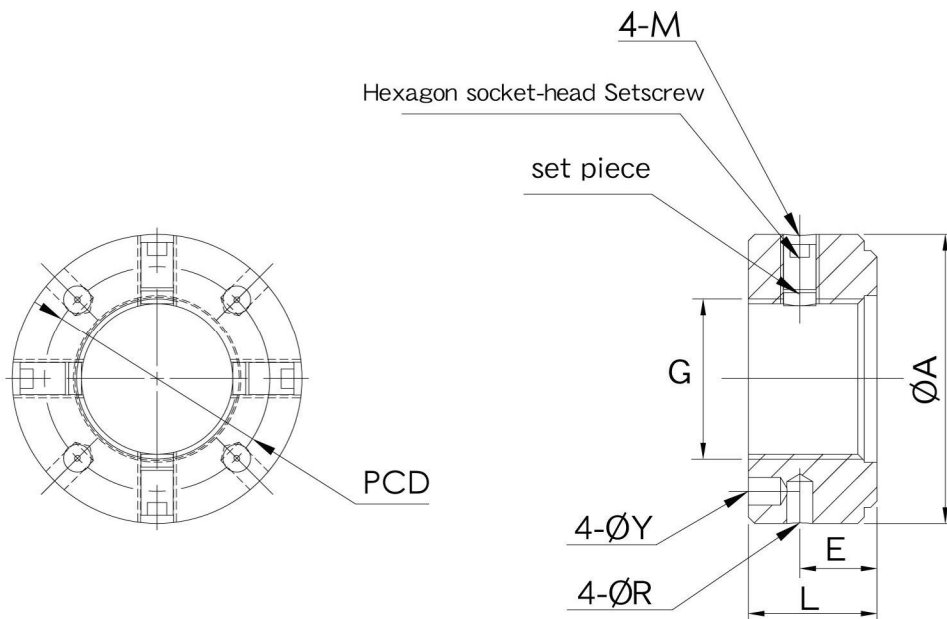
Model No.	H	A	E	M	B	G
RN17 RN17_N	13	29	9	M4	24	M17x1.0
RN20 RN20_N	11	35	7	M4	30	M20x1.0
RN25 RN25_N	15	43	10	M6	35	M25x1.5
RN30 RN30_N	20	48	14	M6	40	M30x1.5
RN35 RN35_N	21	60	14	M6	50	M35x1.5
RN40 RN40_N	25	62	18	M6	50	M40x1.5

## Lock Nut (Heavy-load)



No.	Part name	Qty
1	Lock nut	1 set

## Lock Nut (Heavy-load)



SPANNER

Unit : mm

Model No.	L	E	A	M	Y	R	PCD	G	SPANNER
RN17W RN17W_N	18	10	36	M6	4.3	4	27	M17x1.0	ZL017
RN20W RN20W_N	18	10	40	M6	4.3	4	30	M20x1.0	ZL020
RN25W RN25W_N	20	11	45	M6	4.3	5	30	M25x1.5	ZL025
RN30W RN30W_N	20	11	50	M6	4.3	5	40	M30x1.5	ZL025
RN35W RN35W_N	22	12	55	M6	4.3	5	45	M35x1.5	ZL035
RN40W RN40W_N	22	12	60	M6	4.3	5	50	M40x1.5	ZL040

# Lock nut

Order Coding	Model No.	Surface treatment	MAX.Torque (kgf-cm)	Setscrew MAX.Torque (kgf-cm)
RN05	M5*PO.5	Black Oxide	15	6(M3)
RN05_N		Electroless Nickel Plating		
RN06	M6*PO.75	Black Oxide	20	6(M3)
RN06_N		Electroless Nickel Plating		
RN08	M8*P1.0	Black Oxide	25	6(M3)
RN08_N		Electroless Nickel Plating		
RN10	M10*P1.0	Black Oxide	30	6(M3)
RN10_N		Electroless Nickel Plating		
RN12	M12*P1.0	Black Oxide	65	15(M4)
RN12_N		Electroless Nickel Plating		
RN15	M15*P1.0	Black Oxide	80	15(M4)
RN15_N		Electroless Nickel Plating		
RN17	M17*P1.0	Black Oxide	95	15(M4)
RN17_N		Electroless Nickel Plating		
RN17W	M17*P1.0 (Heavy-load)	Black Oxide	420	50(M6)
RN17W_N		Electroless Nickel Plating		
RN20	M20*P1.0	Black Oxide	170	15(M4)
RN20_N		Electroless Nickel Plating		
RN20W	M20*P1.0 (Heavy-load)	Black Oxide	460	50(M6)
RN20W_N		Electroless Nickel Plating		
RN25	M25*P1.5	Black Oxide	210	50(M6)
RN25_N		Electroless Nickel Plating		
RN25W	M25*P1.5 (Heavy-load)	Black Oxide	870	50(M6)
RN25W_N		Electroless Nickel Plating		
RN30	M30*P1.5	Black Oxide	320	50(M6)
RN30_N		Electroless Nickel Plating		
RN30W	M30*P1.5 (Heavy-load)	Black Oxide	1050	50(M6)
RN30W_N		Electroless Nickel Plating		
RN35	M35*P1.5	Black Oxide	480	50(M6)
RN35_N		Electroless Nickel Plating		
RN35W	M35*P1.5 (Heavy-load)	Black Oxide	1450	50(M6)
RN35W_N		Electroless Nickel Plating		
RN40	M40*P1.5	Black Oxide	720	50(M6)
RN40_N		Electroless Nickel Plating		
RN40W	M40*P1.5 (Heavy-load)	Black Oxide	1600	50(M6)
RN40W_N		Electroless Nickel Plating		



**Black Oxide**  
(Application : General case)



**Electroless Nickel Plating**  
(Application : Clean room)

Heavy-load



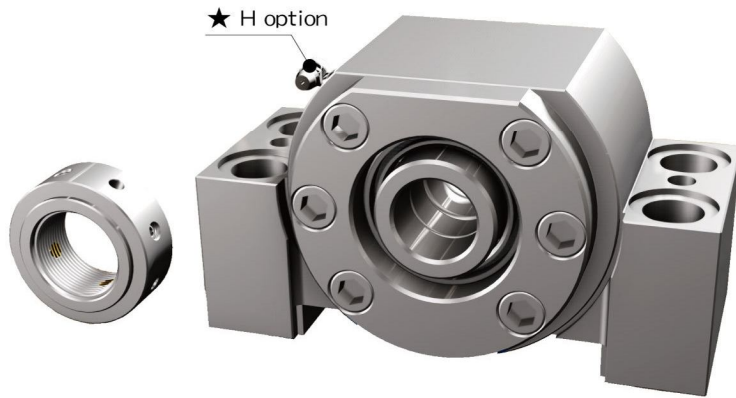
**Black Oxide**  
(Application : General case)

Heavy-load



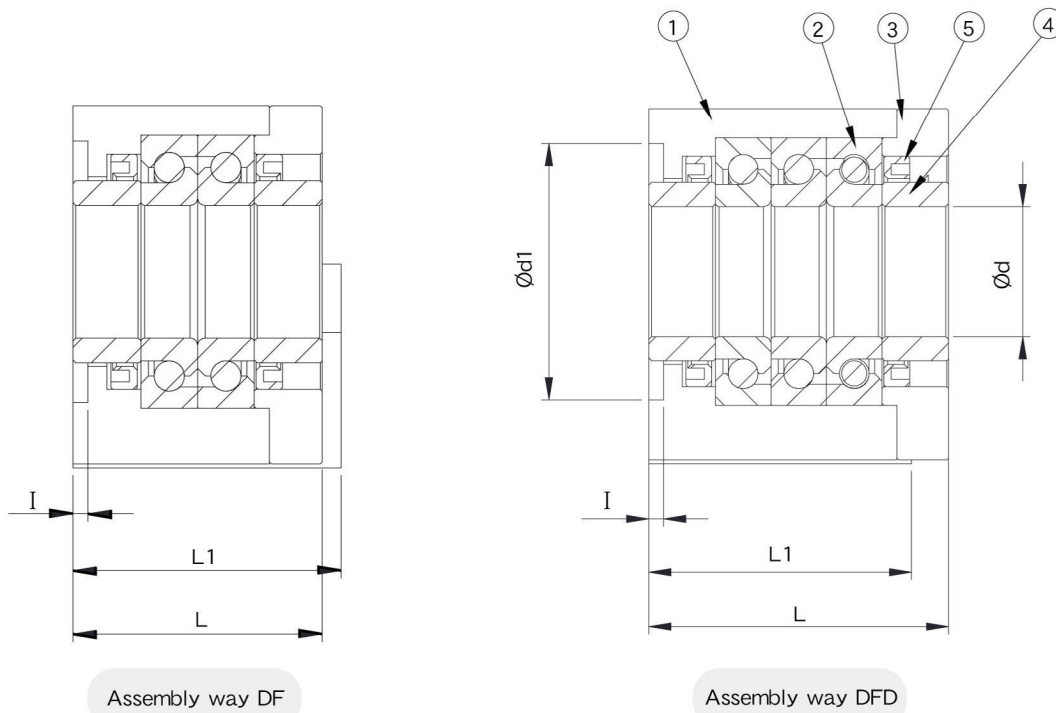
**Electroless Nickel Plating**  
(Application : Clean room)

## SBK type support Unit ( heavy-load )



No.	Part name	Qty
1	Housing	1
2	Bearing	1 set
3	Holding lid	1
4	Collar	2
5	Seal	2
6	Lock nut	1 set

# SBK

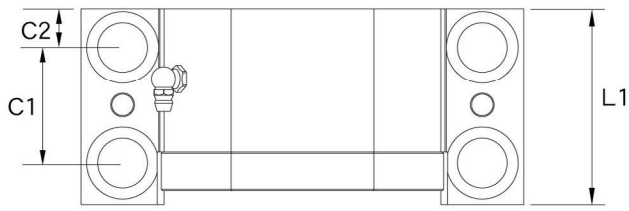


Unit : mm

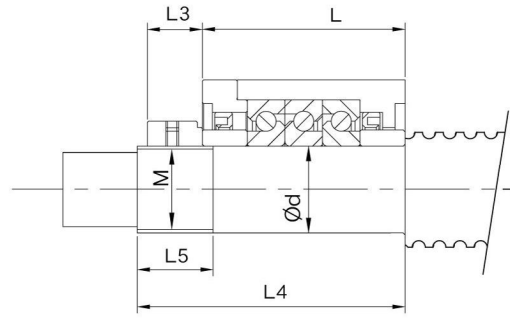
Model No.	Dimensions of support unit																			Supported side	
	d	A	h ±0.02	H1	L	L1	L3	B	d1	E	C2	C1	X	Y	Z	I	V	P	Q		H
SBK 25DF	25	89	51	53	66	71	18	160	57	130	15.5	40	18	26	2	4	70	M6	10	M6	SF25
SBK 25DFD					81																
SBK 30DF	30	89	51	53	66	71	18	160	57	130	15.5	40	18	26	2	4	70	M6	10	M6	BF30
SBK 30DFD					81																
SBK 35DF	35	96	52	54	66	71	18	160	69	130	15.5	40	18	26	2	4	80	M6	10	M6	BF35
SBK 35DFD					81																
SBK 40DF	40	96	52	54	66	71	18	160	69	130	15.5	40	18	26	2	4	80	M6	10	M6	SF40
SBK 40DFD					81																

Note :

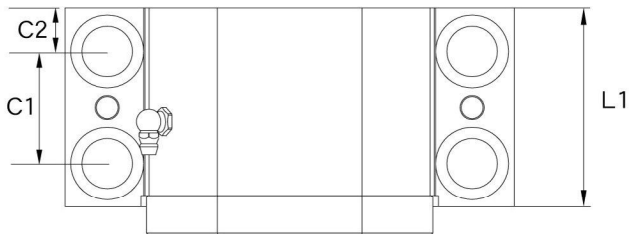
1. Inside bearings use Japanese & Taiwanese P4 grade TAC 60 degree contact ball bearing.
2. The standard type is without H , if required, please advise in advance.



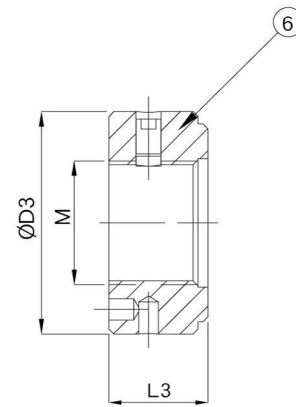
DF



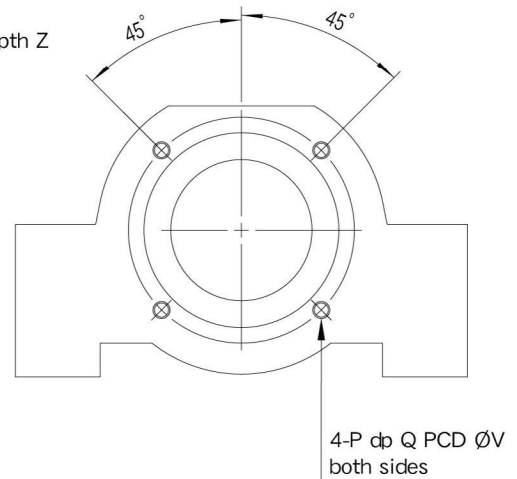
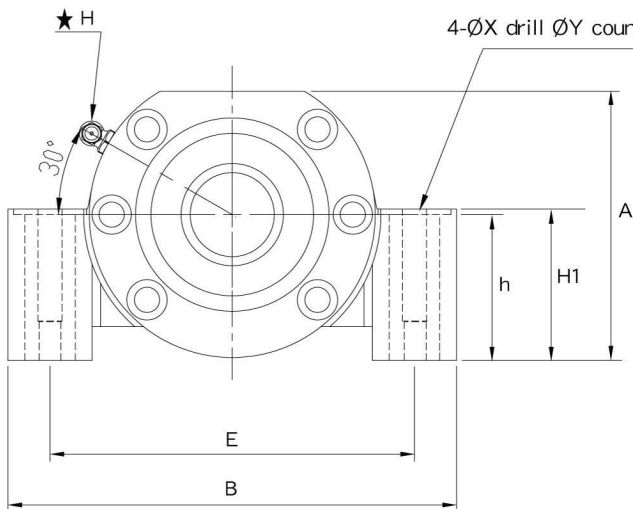
Dimensions of shaft end



DFD



Lock nut



Unit : mm

Model No.	Basic dynamic load rating $C_a$ (kgf)	Permissible axial load (kgf)	Preload (kgf)	Axial rigidity (kgf/um)	Max. Starting torque (kgf-cm)	Lock nut			Weight (Kgs)	Dimensions of shaft end		
						M	D3	L3		$d$	L4	L5
SBK 25DF	2910	4150	320	100	2.9	M25X1.5	45	20	4.46	25	89	26
SBK 25DFD	4700	8300	440	150	4				5.25		104	
SBK 30DF	2980	4400	340	105	3	M30X1.5	50	20	4.35	30	89	26
SBK 30DFD	4850	8800	460	155	4				5.09		104	
SBK 35DF	3150	5100	390	120	3.6	M35X1.5	55	22	4.57	35	92	30
SBK 35DFD	5150	10200	530	175	4.6				5.3		107	
SBK 40DF	3250	5300	400	125	3.8	M40X1.5	60	22	4.6	40	92	30
SBK 40DFD	5250	10600	540	185	4.8				5.15		107	

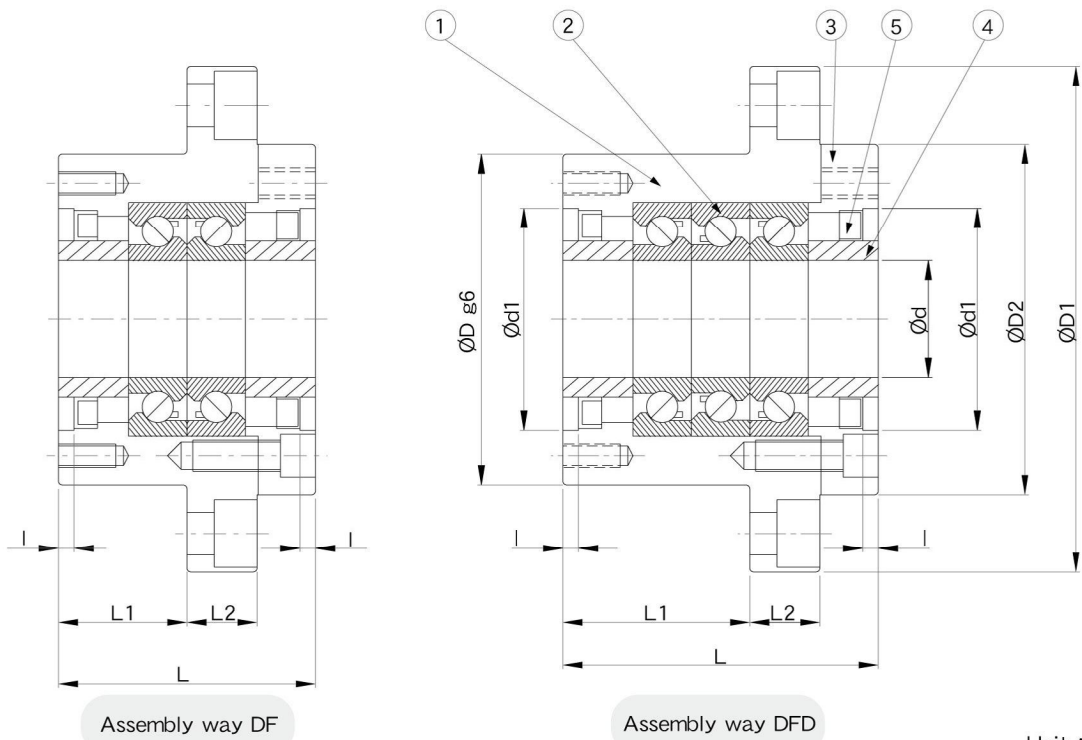




## WBK type support Unit ( heavy-load )

No.	Part name	Qty
1	Housing	1
2	Bearing	1 set
3	Holding lid	1
4	Collar	2
5	Seal	2
6	Lock nut	1 set

# WBK

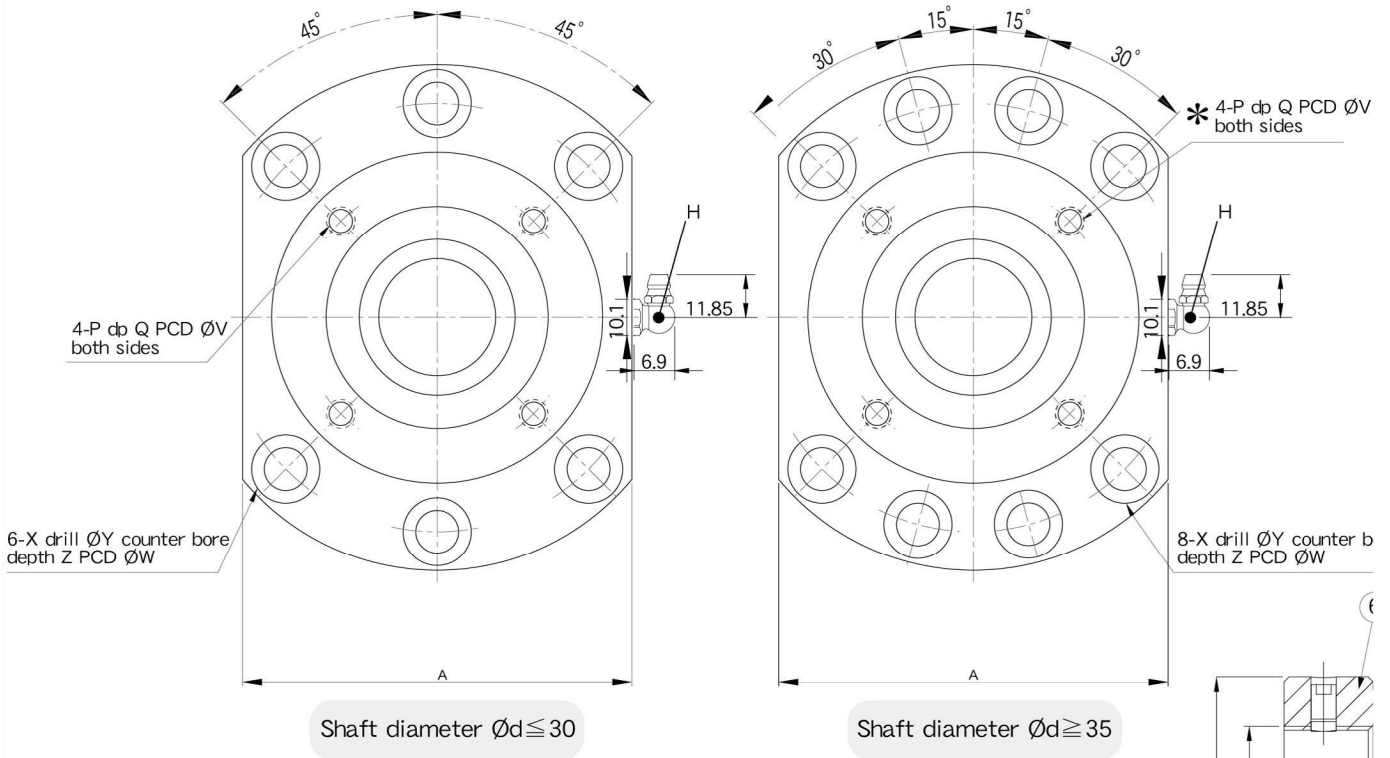


Unit : mm

Model No.	Dimensions of support unit																	
	d	D	D1	D2	L	L1	L2	A	W	X	Y	Z	d1	I	V	P	Q	H
WBK 17DF	17	70	106	72	60	32	15	80	88	9	14	8.5	45	3	58	M5	10	M6
WBK 20DF	20	70	106	72	60	32	15	80	88	9	14	8.5	45	3	58	M5	10	M6
WBK 25DF	25	85	130	90	66	33	18	100	110	11	17	11	57	4	70	M6	12	M6
WBK 25DFD					81	48												
WBK 25DFF					96	48												
WBK 30DF	30	85	130	90	66	33	18	100	110	11	17	11	57	4	70	M6	12	M6
WBK 30DFD					81	48												
WBK 30DFF					96	48												
WBK 35DF	35	95	142	102	66	33	18	106	121	11	17	11	69	4	80	M6	12	M6
WBK 35DFD					81	48												
WBK 35DFF					96	48												
WBK 40DF	40	95	142	102	66	33	18	106	121	11	17	11	69	4	80	M6	12	M6
WBK 40DFD					81	48												
WBK 40DFF					96	48												

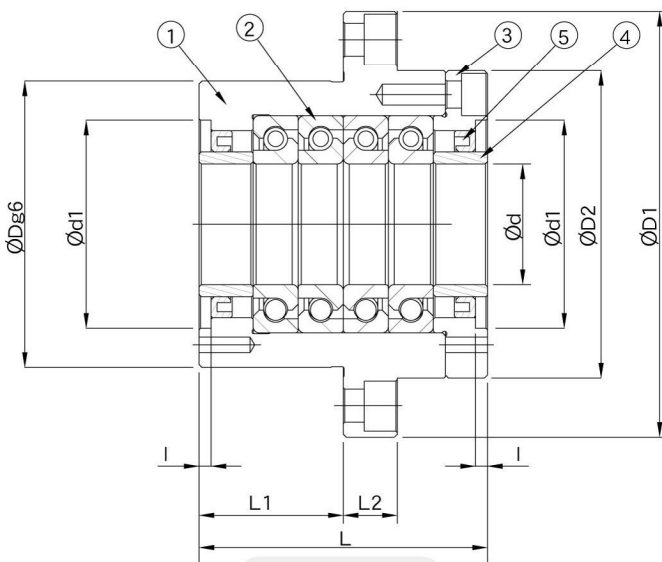
**Note :**

1. Inside bearings use Japanese & Taiwanese P4 grade TAC 60 degree contact ball bearing.
2. The standard type is without H , if required, please advise in advance.

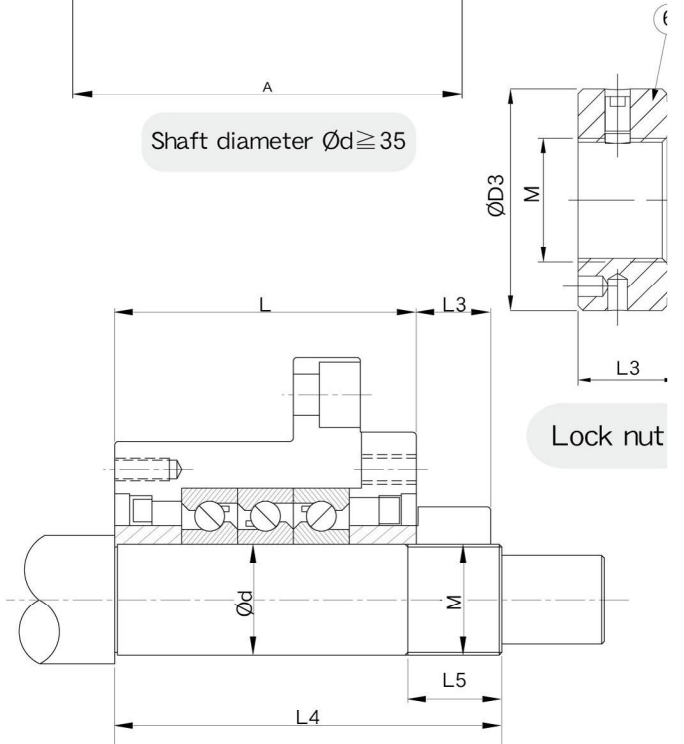


Shaft diameter  $\varnothing d \leq 30$

Shaft diameter  $\varnothing d \geq 35$



Assembly way DFF



Lock nut

Dimensions of shaft end

Unit : mm

Model No.	Basic dynamic load rating Ca(kgf)	Permissible axial load (kgf)	Preload (kgf)	Axial rigidity (kgf/um)	Max. Starting torque (kgf-cm)	Lock nut			Weight (Kgs)	Dimensions of shaft end		
						M	D3	L3		d	L4	L5
WBK 17DF	2240	2710	220	75	1.9	M17X1	37	18	1.24	17	81	23
WBK 20DF	2240	2710	220	75	1.9	M20X1	40	18	2	20	81	23
WBK 25DF	2910	4150	320	100	2.9	M25X1.5	45	20	3.27	25	89	26
WBK 25DFD	4700	8300	440	150	4				3.81			
WBK 25DFF	4700	8300	640	200	5	M30X1.5	50	20	4.46	30	104	26
WBK 30DF	2980	4400	340	105	3				3.18			
WBK 30DFD	4850	8800	460	155	4	M35X1.5	55	22	3.7	35	104	26
WBK 30DFF	4850	8800	680	205	5.2				4.3			
WBK 35DF	3150	5100	390	120	3.6	M35X1.5	55	22	3.79	35	107	30
WBK 35DFD	5150	10200	530	175	4.6				4.45			
WBK 35DFF	5150	10200	780	240	6	M40X1.5	60	22	5.21	40	107	30
WBK 40DF	3250	5300	400	125	3.8				3.65			
WBK 40DFD	5250	10600	540	185	4.8	M40X1.5	60	22	4.27	40	107	30
WBK 40DFF	5250	10600	800	245	6.2				5			

Note :

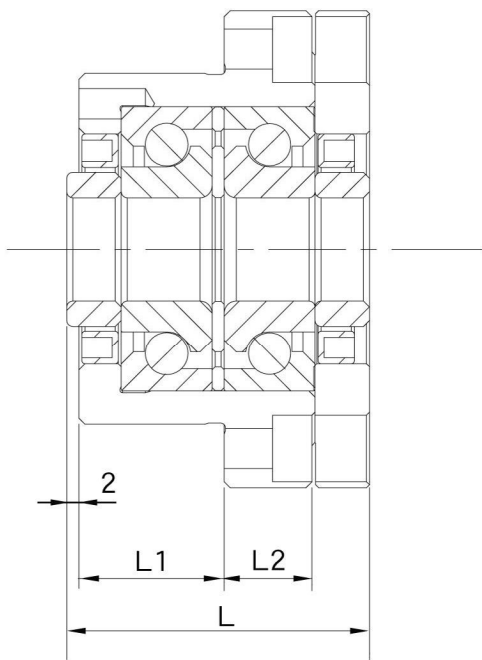
3. Dimensions with \* mark can be used for dust cover and damper installation.  
About its correct position, please contact SYK.

MBK type support Unit  
(heavy-load)

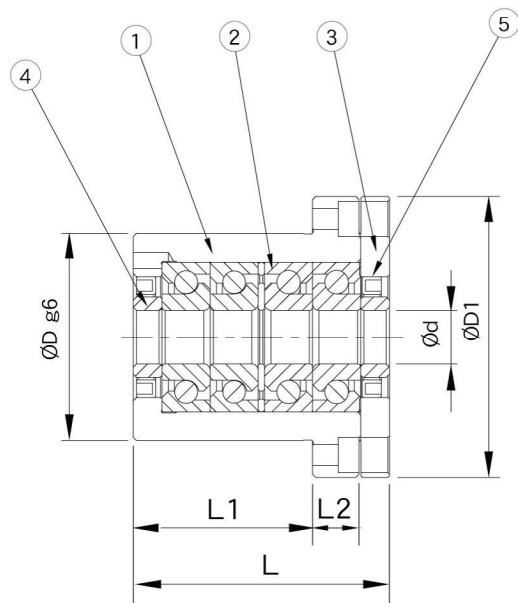


No.	Part name	Qty
1	Housing	1
2	Bearing	1 set
3	Holding lid	1
4	Collar	2
5	Seal	2
6	Lock nut	1 set

**MBK**



Assembly way DF



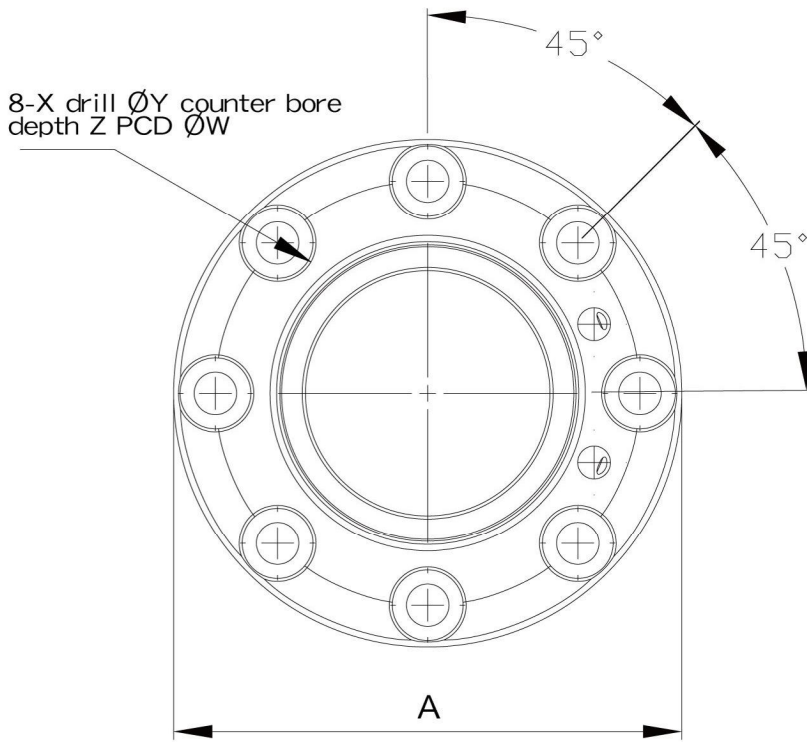
Assembly way DFF

Unit : mm

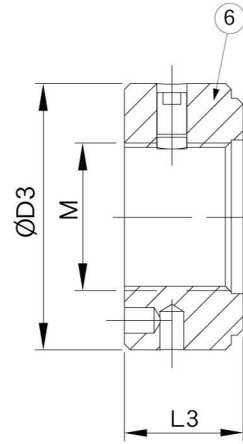
Model No.	Dimensions of support unit											
	d	D	D1	L	L1	L2	A	W	X	Y	Z	H
MBK 15DF - G	15	58	79	50	24	14.5	79	66	6.6	11	7	M6
MBK 17DF - G	17	58	79	50	24	14.5	79	66	6.6	11	7	M6
MBK 17DFF - G		65	88	80	56		88	74				
MBK 20DF - G	20	58	79	50	24	14.5	79	66	6.6	11	7	M6
MBK 20DFF - G		65	88	80	56		88	74				

Note :

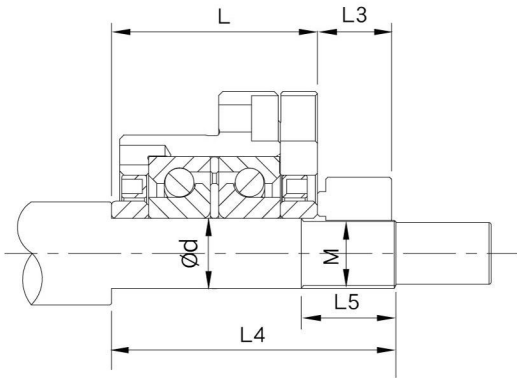
1. Inside bearings use Japanese & Taiwanese P4 grade TAC 60 degree contact ball bearing.



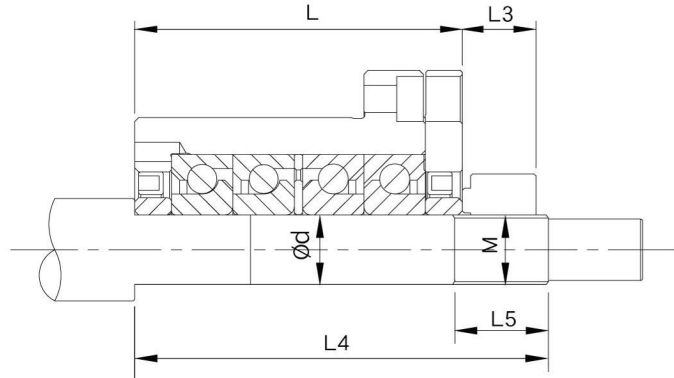
Shaft diameter  $\text{Ø}d \leq 20$



Lock nut



DF  
Dimensions of shaft end



DFF  
Dimensions of shaft end

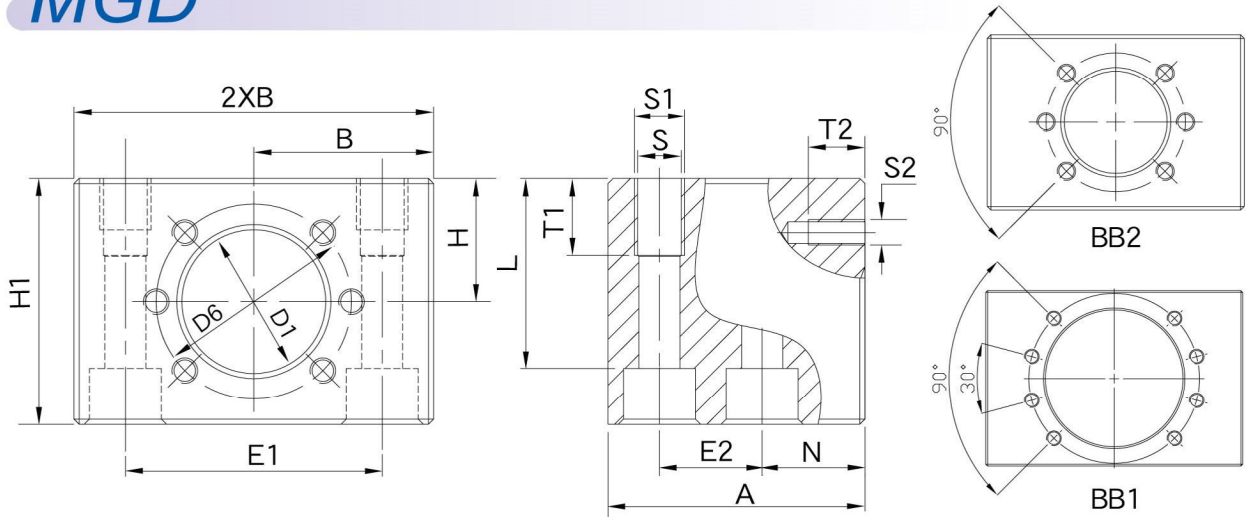
Unit : mm

Model No.	Basic dynamic load rating Ca(kgf)	Permissible axial load (kgf)	Preload (kgf)	Axial rigidity (kgf/um)	Max. Starting torque (kgf-cm)	Lock nut			Weight (Kgs)	Dimensions of shaft end		
						M	D3	L3		d	L4	L5
MBK 15DF	2240	2710	220	75	1.9	M15X1	-	-	1.44	15	69	23
MBK 17DF	2240	2710	220	75	1.9	M17X1	37	18	1.55	17	69	23
MBK 17DFF	3620	5420	440	145	3.3				2.3			
MBK 20DF	2240	2710	220	75	1.9	M20X1	40	18	1.52	20	69	23
MBK 20DFF	3620	5420	440	145	3.3				2.78			

# Nut Bracket MGD



## MGD



Unit : mm

Model No.	Size	d <sub>0</sub> ×P	Part number	D1±0.1	D6	A	B±0.1	H±0.1	H1	E1	E2	N	S	S1	T1	S2	T2	ISO4762	L	Weight (Kgs)	
MGD 16	16×5 16×16	16×10	1506-0-0050	28.4	38	50	35	24	48	50±0.1	20±0.1	20	8.4	M10	15	M5	10	BB2	M8	37	0.91
MGD 20L	20×5 20×20	20×20	1506-1-0050	36.4	47	55	37.5	23	48	55±0.1	23±0.1	22	-	M8	14	M6	11	BB2	-	-	-
MGD 20								28	54					8.4	M10						
MGD 25	25×5 25×25	25×10	1506-2-0050	40.4	51	55	40	30	58	60±0.1	23±0.1	22	8.4	M10	15	M6	11	BB2	M8	49	1.33
MGD32S	32×5 32×20	32×10 32×32	1506-3-0050	50.4	65	70	45	35	70	70±0.1	45±0.1	12.5	-	M12	20	M8	14	BB2	-	-	2.5
MGD 32								50	68												75±0.1
MGD 40	40×5 40×12 40×20	40×10 40×16 40×40	1506-4-0050	63.4	78	80	60	42	84	90±0.1	35±0.1	31	15	M18	25	M8	17	BB1	M14	66	3.61

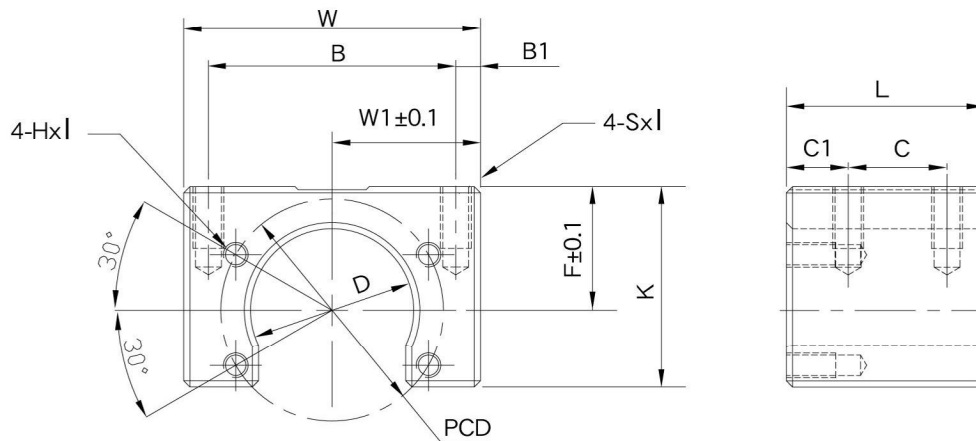
Application table of MGD Nut bracket for ballscrew manufacturer.

Model No.	Ballscrew manufacturer				
	STAR	HIWIN	PMI	COMTOP	GTEN
MGD 16	1502,1512-0-****	FSI-16-05	FSIN-16-05	SFU 1605	FSU 1605
MGD 20	1502,1512-1-****	FSI-20-05	FSIN-20-05	SFU 2005	FSU 2005
MGD 25	1502,1512-2-****	FSI-25-05	FSIN-25-05	SFU 2505	FSU 2505
		FSI-25-10	FSIN-25-10	SFU 2510	FSU 2510
MGD 32	1502,1512-3-****	FSI-32-05	FSIN-32-05	SFU 3205	FSU 3205
		FSI-32-10	FSIN-32-10	SFU 3210	FSU 3210
MGD 40	1502,1512-4-****	FSI-40-05	FSIN-40-05	SFU 4005	FSU 4005
		FSI-40-10	FSIN-40-10	SFU 4010	FSU 4010

# Nut Bracket MC



## MC



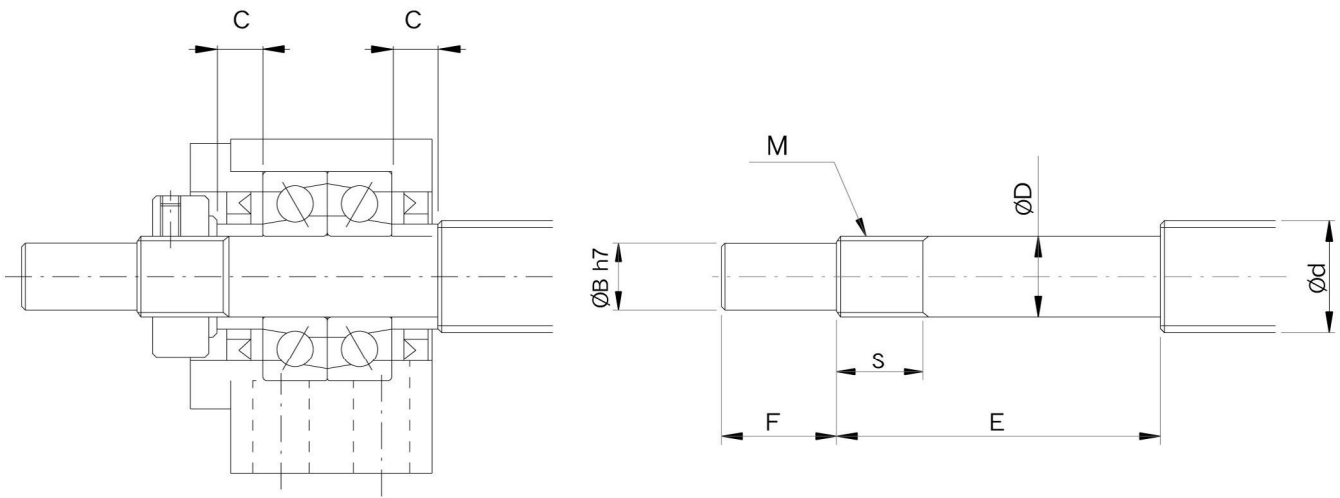
Unit : mm

Model No.	Width W	W1	B	B1	Overall Length L	C	C1	F	K	D	PCD	SxI	HxI	Far factory automation equipment Supported Ball Screw models	Weight (Kgs)
MC 1004	48	24	40	4	32	16	10	20	32.5	26.4	36	M5×10	M4×7	BNK1004、BNK1005	0.24
MC 1205	60	30	47	6.5	36	24	6	21	37	30.4	40	M6×12	M4×7	BNK1205	0.38
MC 1408	60	30	50	5	36	20	10	21.5	37	34.4	45	M6×12	M5×8	BNK1408、BNK1510 BNK1520、BNK1616	0.34
MC 2010	86	43	70	8	50	30	10	31	54	46.4	59	M10×20	M6×10	BNK2010	1.04
MC 2020	86	43	70	8	40	24	8	28	51	39.4	59	M10×20	M6×10	BNK2020	0.83

### Application table of MC Nut bracket for ballscrew manufacturer.

Model NO.	Ballscrew manufacturer					
	THK	NSK	HIWIN	PMI	COMTOP	GTEN
MC 1004	BNK1004, BNK1005	W1004 FA,	R1004FSW	FSIW1404, FSIC1403 FSIC1404, FSIC1405		FSI1404, FSI1405
MC1205	BNK1205 BNK1205	W1205 FA, W1210 FA	R1205FSW, R1210FSW	FSWW1204, FSWC1204/05 FSWC1210, PTR1205/10/20	XSVR1210	FSC1210
MC 1408	BNK1408, BNK1510 BNK1520, BNK1616	W1405 FA, W1408 FA W1510 FA, W1520 FA W1616 FA, W1632 FA	R1405FSW, R1408FSW FSW1510, R1510DFSH R1520DFSH, R1520FSH, R1632DFSH	FSIC2005/06, FSWC1405 FSWC1510, FSKC1520 PTR1505/10/20	SFI 1610, SFI 2004 SFI 2005 XSVR1510, XSVR1520	FSI1610, FSI2005 FSC1520
MC 2010	BNK2010	W2010 FA, W2020 FA	R2010FSW, R2020FSW	FSWC2010, PTR2010	XSVR2010, XSVR2020	FSC2010
MC 2020	BNK2020		R 2020DFSH			

## Recommended shaft end shape( Fixed-side) for Support Units types BK

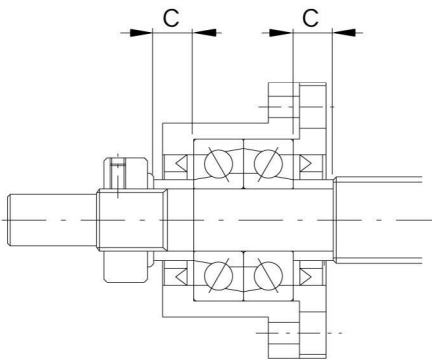
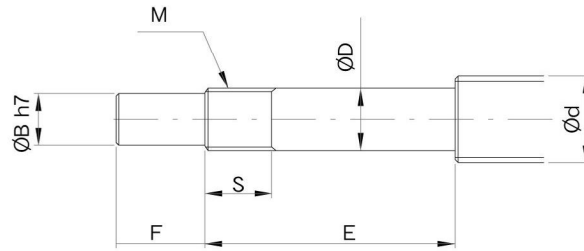


Type BK

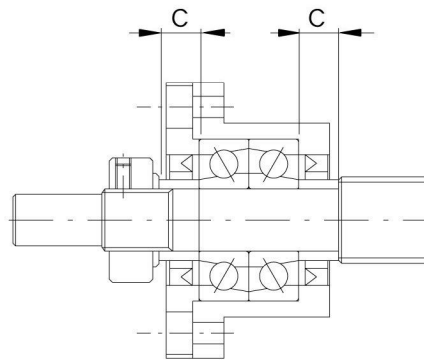
Unit : mm

Support unit model No.	Ball screw shaft OD	Shaft support portion OD				Metric screw thread	Length of Sleeve	
Type BK	d	D	B	E	F	M	S	C
BK10	12/14/15	10 -0.008 -0.015	8	36	15	M10×1	12	5.5
BK12	14/15/16	12 -0.008 -0.017	10	36	15	M12×1	12	5.5
BK15	18/20	15 -0.008 -0.017	12	40	20	M15×1	12	6
BK17	20/25	17 -0.008 -0.017	15	53	23	M17×1	17	7
BK20	25/28	20 -0.010 -0.020	17	53	25	M20×1	15	8
BK25	32/36	25 -0.010 -0.020	20	66	30	M25×1.5	20	9
BK30	36/40	30 -0.010 -0.020	25	73	38	M30×1.5	25	9
BK35	45	35 -0.012 -0.025	30	82	45	M35×1.5	26	12
BK40	50	40 -0.012 -0.025	35	94	50	M40×1.5	30	15

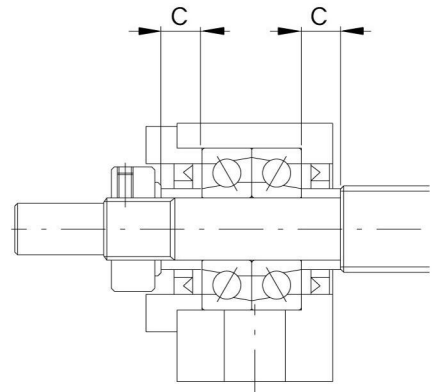
# Recommended shaft end shape( Fixed-side) for Support Units types FK,FKA,EK,AK,LK



Type FK,FKA



Type FK,FKA



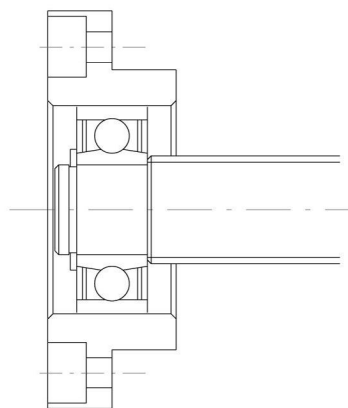
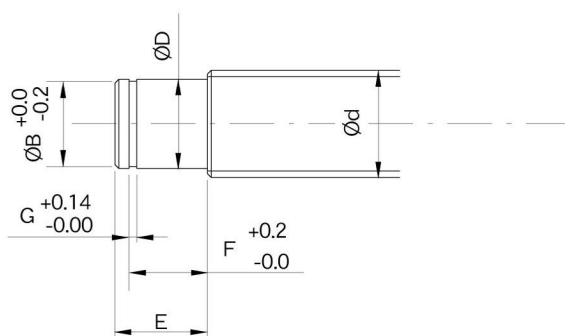
Type EK,AK,LK

Unit : mm

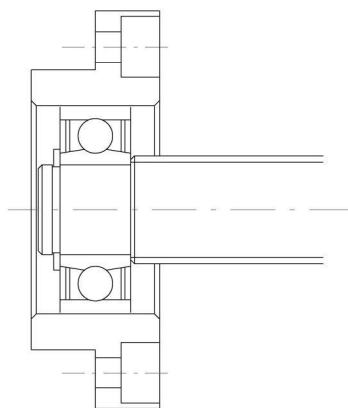
Support unit model No.				Ball screw shaft OD	Shaft support portion OD			Metric screw thread			Length of Sleeve	
Type FK,FKA	Type EK	Type AK	Type LK	d	D	B	E	F	M	S	C	
FK05	EK05	-	-	8	5	-0.008 -0.015	4	23	6	M5x0.5	7	3.5
FK06 FKA06	EK06	-	-	8	6	-0.008 -0.015	4	28	8	M6x0.75	8	5
FK08 FKA08	EK08	-	LK08	10/12	8	-0.008 -0.015	6	32	9	M8x1	10	5.5
FK10 FKA10	EK10	AK10	LK10	12/14/15	10	-0.008 -0.015	8	36	15	M10x1	12	5.5
FK12 FKA12	EK12	AK12	LK12	14/15/16	12	-0.008 -0.017	10	36	15	M12x1	12	5.5
FK15 FKA15	EK15	AK15	LK15	18/20	15	-0.008 -0.017	12	48	20	M15x1	13	10
FK17	-	-	-	20/25	17	-0.008 -0.017	15	59	23	M17x1	17	10
FK20 FKA20	EK20	AK20	-	25/28/30	20	-0.010 -0.020	17	64	25	M20x1	16	11
FK25	-	AK25	-	30/32/36	25	-0.010 -0.020	20	76	30	M25x1.5	20	14
FK30	-	-	-	36/40	30	-0.010 -0.020	25	73	38	M30x1.5	25	9



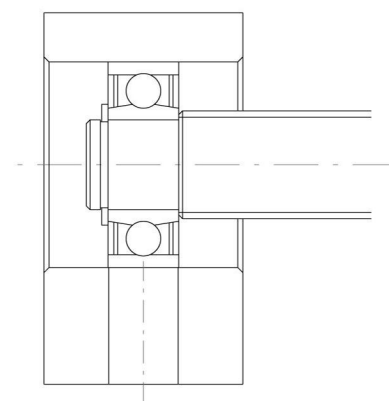
## Recommended shaft end shape (Supported-side) for Support Units types FF,EF,BF,AF,LF



Type FF



Type FF



Type EF,BF,AF,LF,HF

Support unit model No.					Ball screw shaft OD	Shaft support portion OD					
Type FF	Type EF	Type BF	Type AF	Type LF	d	D	E	B	F	G	
FF06	EF06	-	-	-	8	6 -0.008 -0.015	9	5.7	6.8	0.8	
-	EF08	-	-	LF08	10	6 -0.008 -0.015	9	5.7	6.8	0.8	
FF10	EF10	BF10	AF10	-	12/14/15	8 -0.008 -0.015	10	7.6	7.9	0.9	
FF12	EF12	BF12	AF12	LF12	14/15/16	10 -0.008 -0.015	11	9.6	9.15	1.15	
FF15	EF15	BF15	AF15	LF15	18/20	15 -0.008 -0.017	13	14.3	10.15	1.15	
FF17	-	BF17	-	-	20/25	17 -0.008 -0.017	16	16.2	13.15	1.15	
-	-	BF20	-	-	25/28/30	20 -0.010 -0.020	16	19	13.35	1.35	
FF20	EF20	-	AF20	-			19		15.35		
FF25	-	BF25	AF25	-	30/32/36	25 -0.010 -0.020	20	23.9	16.35	1.35	
FF30	-	BF30	-	-	36/40	30 -0.010 -0.020	21	28.6	17.75	1.75	
-	-	BF35	-	-	40/45	35 -0.012 -0.025	22	33	18.75	1.75	
-	-	BF40	-	-	50	40 -0.012 -0.025	23	38	19.95	1.95	

Note : Shaft end machining of SF, HF same as BF.



### **Контакты**

+7(495) 505-63-74 (Москва)

+7(473) 204-51-56 (Воронеж)

+7(812) 425-17-35 (Санкт-Петербург)

394033, Россия, г.Воронеж,  
Ленинский проспект, 160  
офис 135

Пн-Чт: 8.00–17:00

Пт: 8.00–16.00

Перерыв: 12.30–13.30

[info@purelogic.ru](mailto:info@purelogic.ru)