



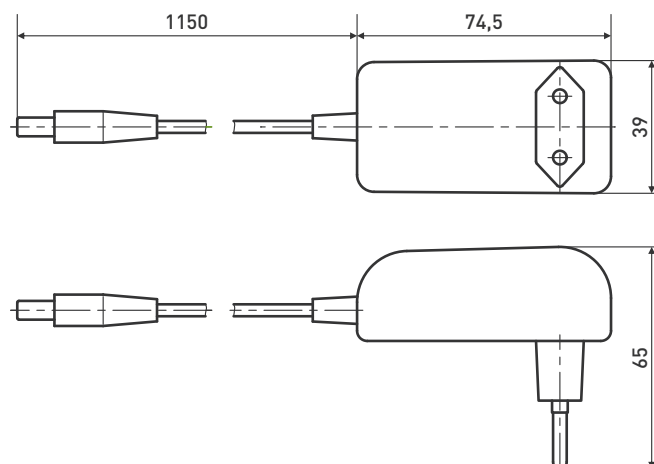
Summary

- > Single output: power 5W
- > Input voltage: 100 ∞ 240VAC

General Specification

Specification	PS-5-5
DC output voltage, current	5V/1A
Wave and noise	80mVp-p
Inlet wire stability	± 0.5%
Load stability	± 1%
Efficiency	71%
Input voltage range	100 ∞ 240VAC 47 ∞ 63Hz
Impact current	Cold start current 35A/230VAC
Overload protection	105% ∞ 150% cut off the output, automatic recovery
Setup, rise, hold up time	20ms, 20ms, 100ms/230VAC at full load
Withstand voltage	I/P – O/P: 1.5kV I/P – FG: 1.5kV O/P – FG: 0.5kV 1 minute
Isolation resistance	I/P – O/P I/P – FG O/P – FG: 500VDC/100MΩ
Working temperature	-10°C ∞ +50°C

Overall dimension (mm)





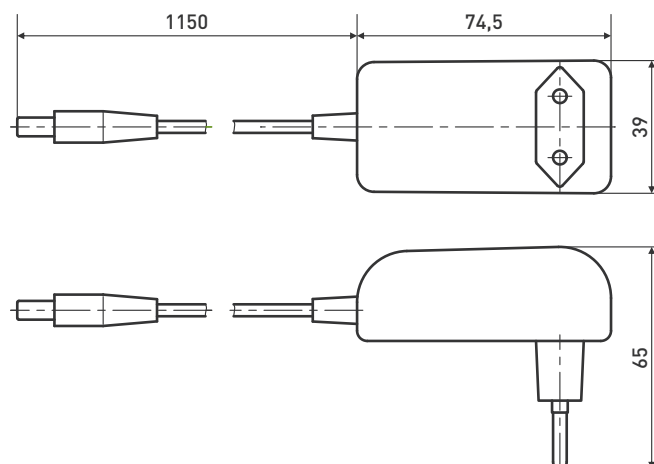
Summary

- > Single output: power 12W
- > Input voltage: 100 ∞ 240VAC

General Specification

Specification	PS-12-12
DC output voltage, current	12V/1A
Wave and noise	80mVp-p
Inlet wire stability	± 0.5%
Load stability	± 1%
Efficiency	71%
Input voltage range	100 ∞ 240VAC 47 ∞ 63Hz
Impact current	Cold start current 35A/230VAC
Overload protection	105% ∞ 150% cut off the output, automatic recovery
Setup, rise, hold up time	20ms, 20ms, 100ms/230VAC at full load
Withstand voltage	I/P – O/P: 1.5kV I/P – FG: 1.5kV O/P – FG: 0.5kV 1 minute
Isolation resistance	I/P – O/P I/P – FG O/P – FG: 500VDC/100MΩ
Working temperature	-10°C ∞ +50°C

Overall dimension (mm)





Summary

- > Single output: power 15W
- > Input voltage: 90 ∞ 132VAC/180 ∞ 264VAC by switch

98 × 97 × 35 mm

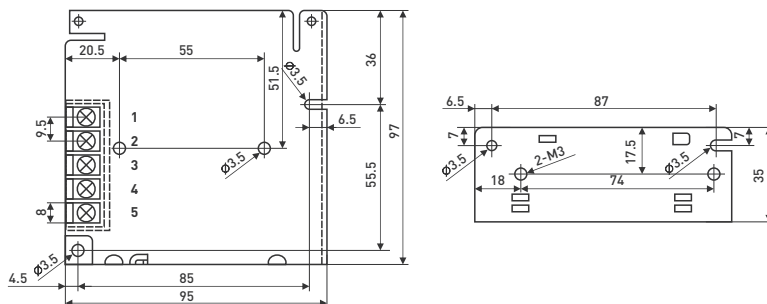
General Specification

Specification	Model	S-15-5	S-15-12	S-15-15	S-15-24
DC output voltage, current		5V 0 ∞ 3A	12V 0 ∞ 1.3A	15V 0 ∞ 1A	24V 0 ∞ 0.7A
Wave and noise		50mVp-p	50mVp-p	75mVp-p	100mVp-p
Inlet wire stability		± 0.5%	± 0.5%	± 0.5%	± 0.5%
Load stability		± 1%	± 0.5%	± 0.5%	± 0.5%
Efficiency		65%	68%	70%	72%
Adjustable range for DC voltage		± 10%	± 10%	± 10%	± 10%
Input voltage range		90 ∞ 132VAC/180 ∞ 264VAC by switch 254 ∞ 370VDC 47 ∞ 63Hz			
Impact current		Cold start current 15A/115VAC 30A/230VAC			
Overload protection		105% ∞ 150% cut off the output, automatic recovery			
Over voltage protection					
Setup, rise, hold up time		200ms, 100ms, 30ms/230VAC at full load			
Withstand voltage		I/P – O/P: 1.5kV I/P – FG: 1.5kV O/P – FG: 0.5kV 1 minute			
Isolation resistance		I/P – O/P I/P – FG O/P – FG: 500VDC/100MΩ			
Working temperature		-10°C ∞ +50°C			
Dimension		98 × 97 × 35 mm			
Weight		0.3 kg			
Packing		43 × 32.5 × 24CM/60PCS/18 kg			

Overall dimension (mm)

Terminal Pin No. Assignment

- Pin 1: DC output+V
- Pin 2: DC output-V
- Pin 3: GND
- Pin 4,5: AC input



Power DC MS-15W

MS-15W Single output mini-size power supply



Summary

- > Single output: power 15W
- > Input voltage: 85 ∼ 264VAC 120 ∼ 370VDC

84 × 58 × 38 mm

General Specification

Specification	Model	MS-15-5	MS-15-12	MS-15-15	MS-15-24
DC output voltage, current		5V 0 ∼ 3A	12V 0 ∼ 1.3A	15V 0 ∼ 1A	24V 0 ∼ 0.7A
Wave and noise		60mVp-p	80mVp-p	100mVp-p	100mVp-p
Inlet wire stability		± 0.5%	± 0.5%	± 0.5%	± 0.5%
Load stability		± 0.5%	± 0.5%	± 0.5%	± 0.5%
Efficiency		68%	71%	72%	75%
Adjustable range for DC voltage		± 10%	± 10%	± 10%	± 10%
Input voltage range		85 ∼ 264VAC 120 ∼ 370VDC 47 ∼ 63Hz			
Impact current		Cold start current 30A/230VAC			
Overload protection		105% ∼ 135% cut off the output, automatic recovery			
Over voltage protection					
Setup, rise, hold up time		200ms, 50ms, 20ms/230VAC at full load			
Withstand voltage		I/P – O/P: 1.5kV I/P – FG: 1.5kV O/P – FG: 0.5kV 1 minute			
Isolation resistance		I/P – O/P I/P – FG O/P – FG: 500VDC/100MΩ			
Working temperature		-10°C ∼ +50°C			
Dimension		84 × 58 × 38 mm			
Weight		0.21 kg			
Packing		38 × 35 × 24CM/100PCS/21 kg			

Overall dimension (mm)

Terminal Pin No. Assignment

- Pin 1,2: AC input
- Pin 3: GND
- Pin 4,5: DC output-V
- Pin 6,7: DC output+V

