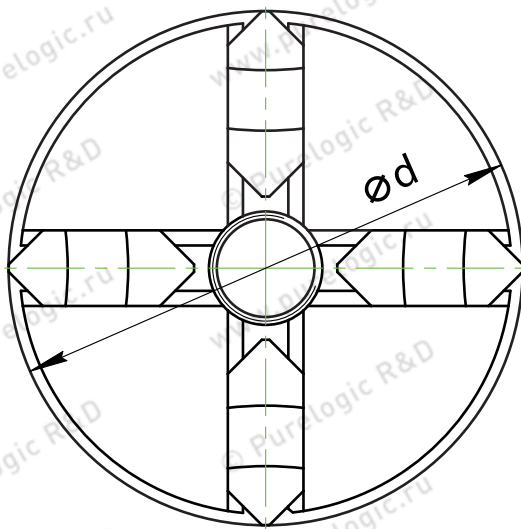
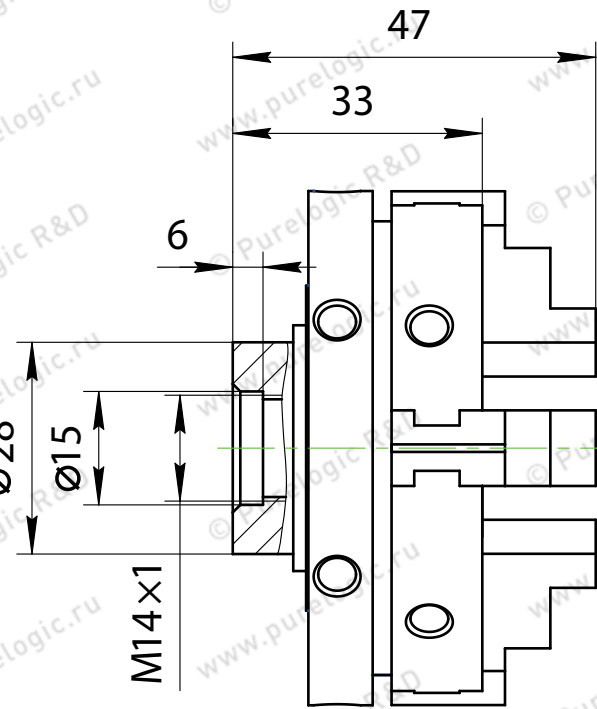


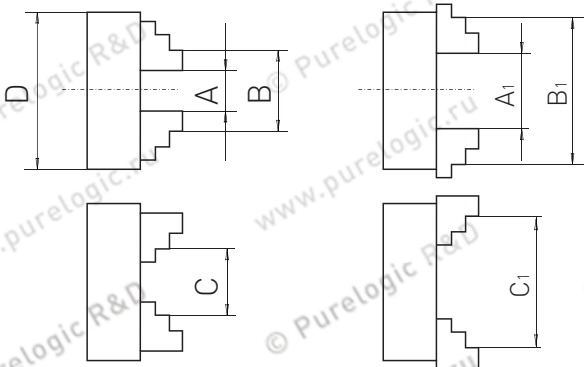
Токарный патрон 4-х кулачковый (мини)



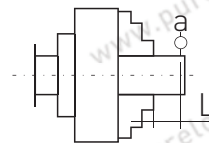
Hold range



G2. Diameter runout of testing bar elamped in the jaws of the chuck



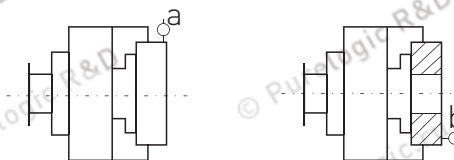
mm



Permissible error. (mm)	
L	a
20	0.01

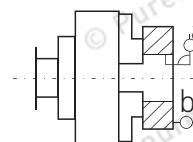
G3. Runout of testing ring clamped on the inside stepped surface of the chuck

Diameter of chuck D	d	Internal jaws		External jaws
		A-A1	B-B1	C-C1
K02-50	52	2-15	20-48	20-47
K02-65	68	2-16	25-60	22-55



Permissible error. (mm)	
a	b
0.01	0.008

G4. Runout of testing ring stretched on the outside stepped surface of the chuck



Permissible error. (mm)	
a	b
0.01	0.08