

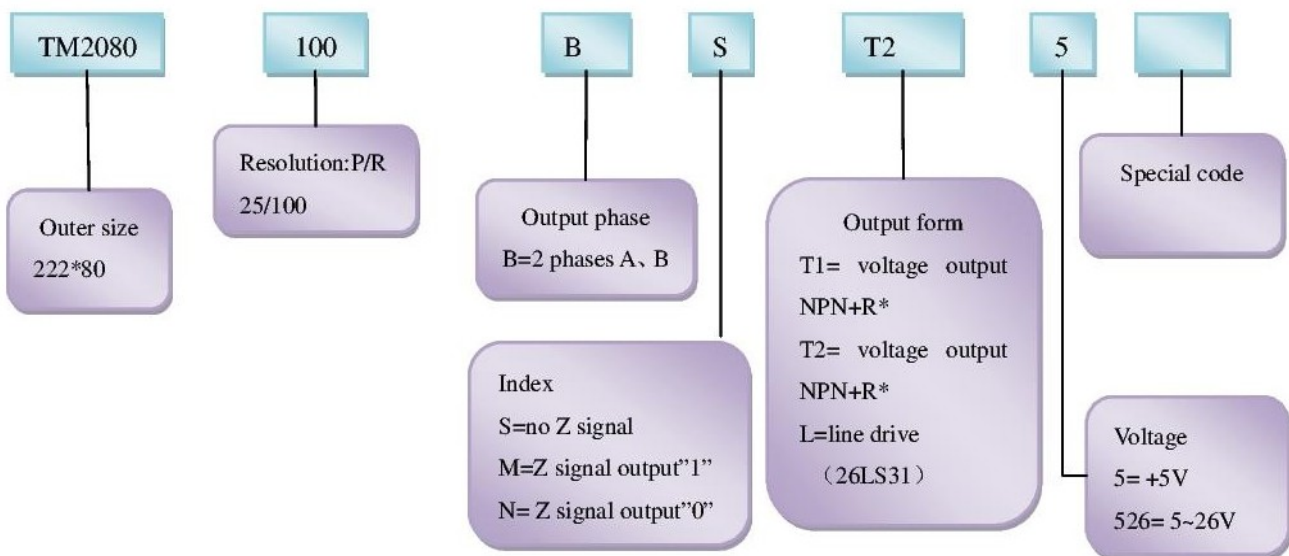
Manual Pulse Generator- TM2080 series

Application & Features:

For CNC machine origin correction and signal split.
Full plastic shell, high dielectric strength, with the shaft change-over switch, the IOPP sealed design, with * 1 * 10 and * 100 third gear ratio, 6-axis and magnification switch.



Model:

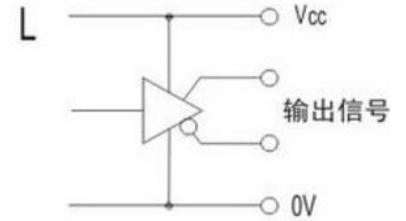
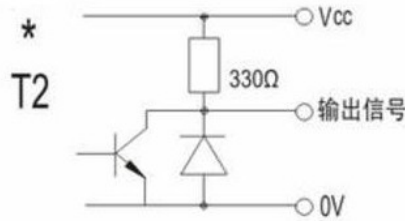
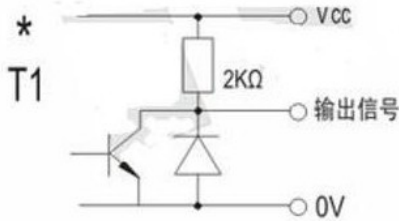


Electrical spec:

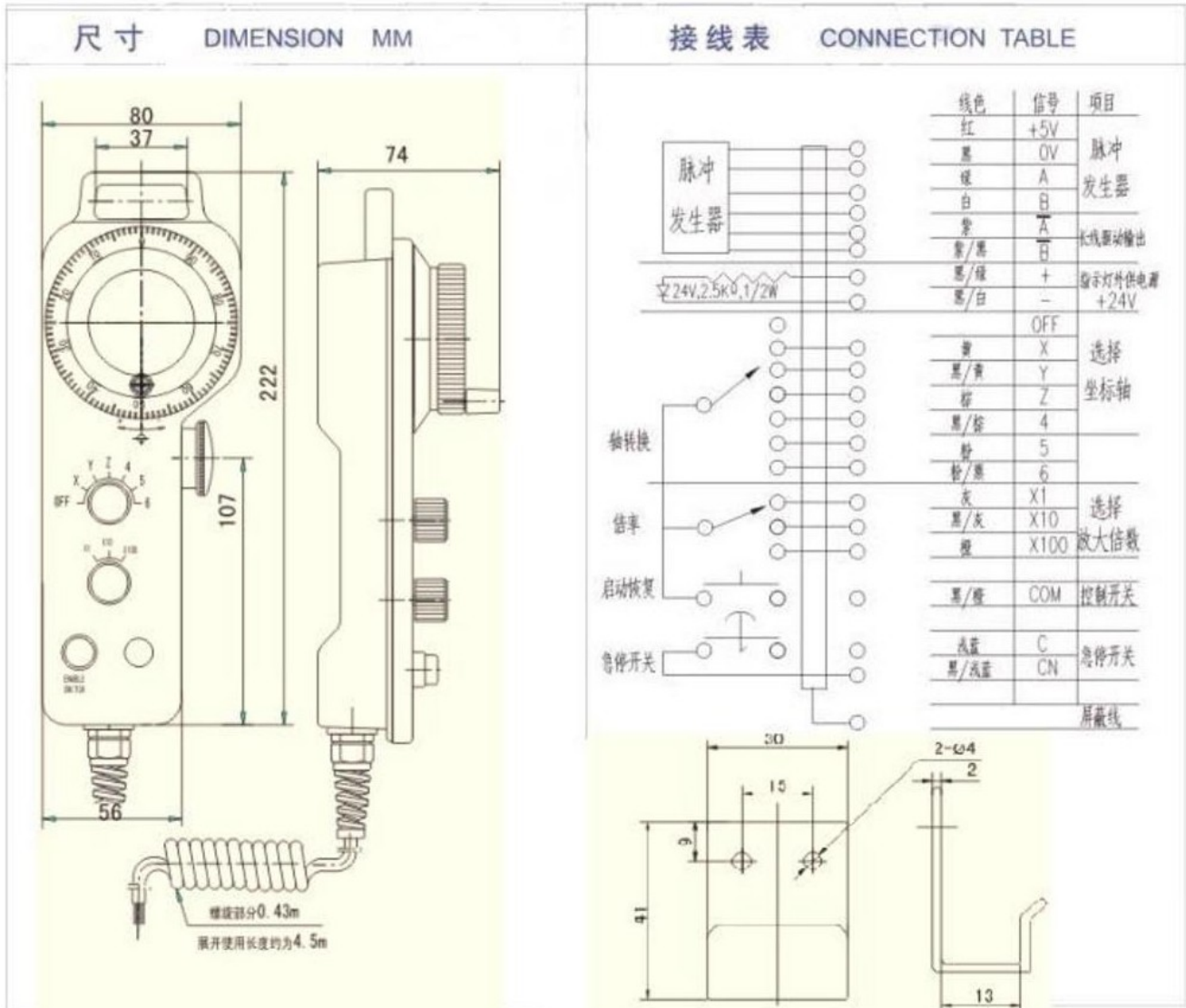
Output circuit	Open-collector output	Voltage output	Push-pull complementary outputs	driver
Supply voltage	5~26V	5~26V	5±0.25 5~26V	5±0.25 5~30V
Current consumption	≤80mA	≤80mA	≤80mA	≤150mA
Load current	40mA	40mA	40mA	60mA
Output high	Min Vcc*70%	Min Vcc-2.5V	Min Vcc-1.5V	Min 3.4V
Output low	MAX 0.4V	MAX 0.4V	MAX 0.8V	MAX 0.4V
Rise time Tr	MAX 1us	MAX 1us	MAX 1us	MAX 200ns
Fall time Tf	MAX 1us	MAX 1us	MAX 1us	MAX 200ns
Highest frequency response	10kHz	10kHz	10kHz	10kHz

Mechanical spec:

Max speed r/min	Work Temperature	Storage Temperature	Protection Degree	Weight
600	-25~75°C	-25~85°C	IP50	250g



Dimensions :



Connection:

Color	Red	Black	Green	White	Purple	Purple/Black	Black/Green	Black/White	Yellow	Black/Yellow
Signal	5V	0V	A	B	A/	B/	LED+	LED-	X	Y
Color	Brown	Black/Brown	Pink	Pink/Black	Grey	Black/Grey	Orange	Black/Orange	Light Blue	Black/light Blue
Signal	Z	4	5	6	X1	X10	X100	COM	C(Estop)	CN(Estop)