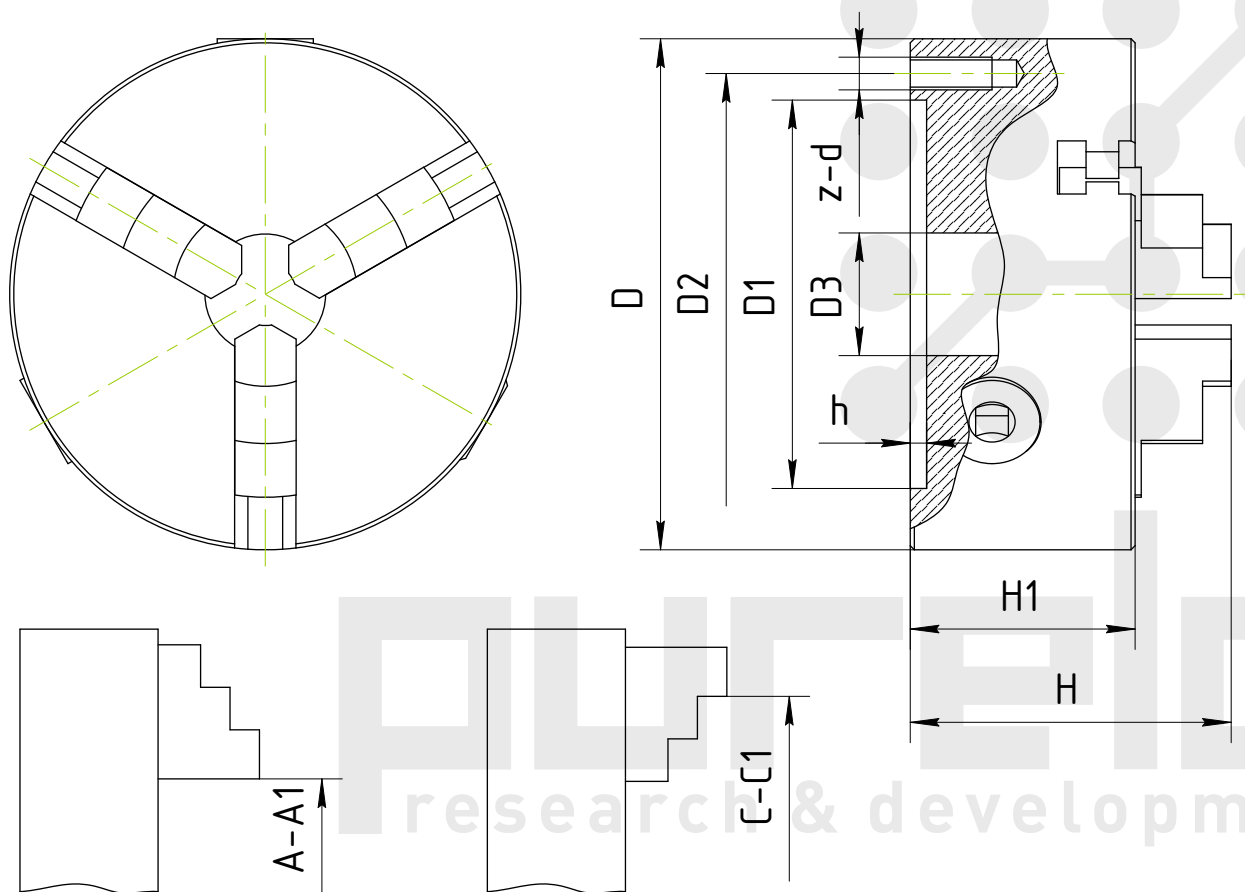


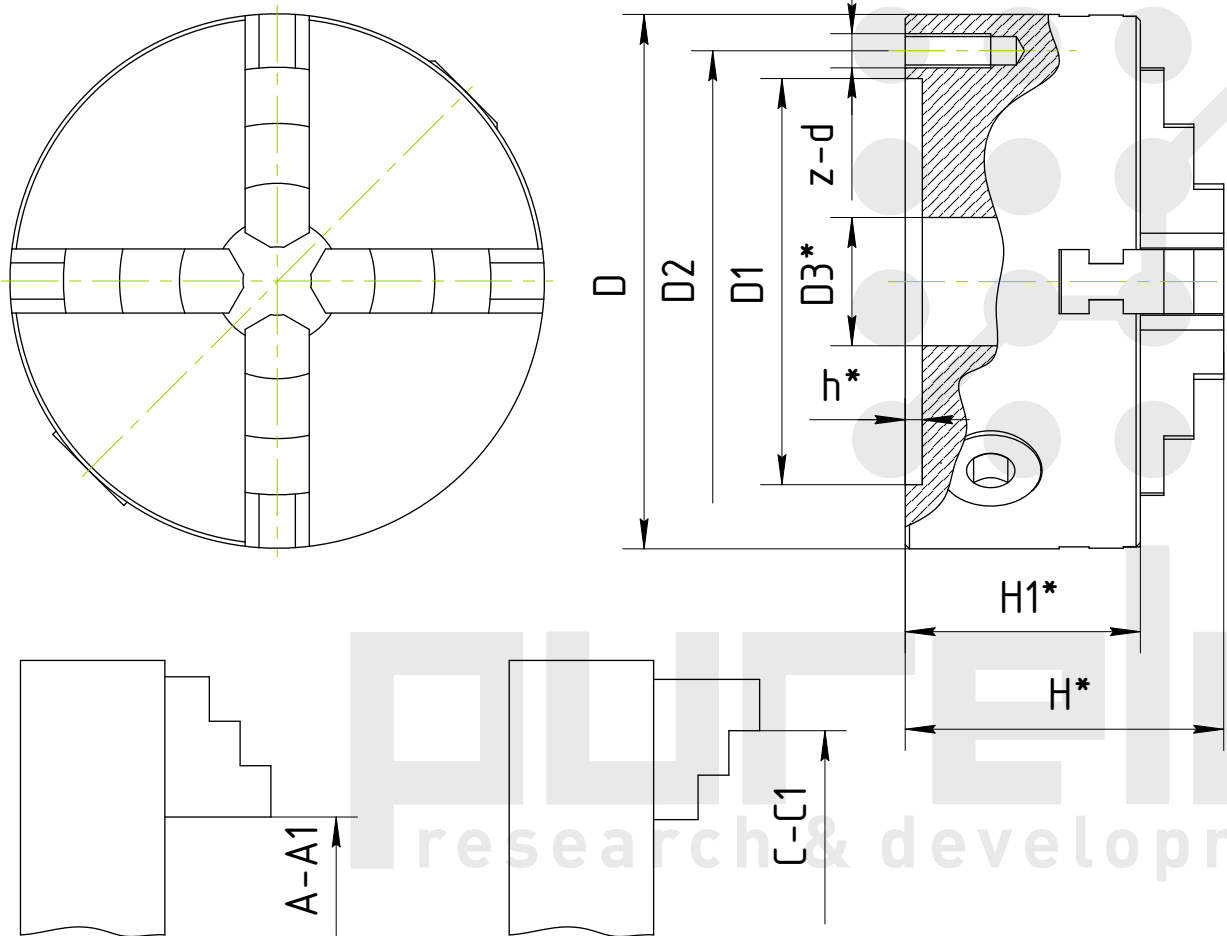
Токарный патрон, 3-х кулачковый



| Типоразмер, D | D1 | D2 | D3 | H | H1 | h | z-d | Tmax, Hm | RPM, об/мин | A-A1 | C-C1 |
|---------------|-----|-----|-----|-------|-----|-----|-------|----------|-------------|--------|---------|
| 80 | 55 | 66 | 16 | 66 | 50 | 3.5 | 3-M6 | 40 | 4000 | 2-22 | 22-63 |
| 100 | 72 | 84 | 22 | 74.5 | 55 | 3.5 | 3-M8 | 60 | 3500 | 2-30 | 30-80 |
| 125 | 95 | 108 | 30 | 85 | 58 | 4 | 3-M8 | 100 | 3000 | 2.5-40 | 38-110 |
| 160 | 130 | 142 | 45 | 95 | 65 | 5 | 3-M8 | 160 | 2500 | 3-55 | 55-145 |
| 160A | 130 | 142 | 40 | 109 | 65 | 5 | 3-M8 | 160 | 2500 | 3-55 | 55-145 |
| 200 | 165 | 180 | 65 | 109 | 75 | 5 | 3-M10 | 250 | 2000 | 4-85 | 65-200 |
| 200A | 165 | 180 | 65 | 122 | 75 | 5 | 3-M10 | 250 | 2000 | 4-85 | 65-200 |
| 250 | 206 | 226 | 80 | 120 | 80 | 5 | 3-M12 | 320 | 1600 | 6-110 | 90-250 |
| 250A | 206 | 226 | 80 | 133 | 80 | 5 | 3-M12 | 320 | 1600 | 6-110 | 90-250 |
| 315 | 260 | 285 | 100 | 142.5 | 90 | 6 | 3-M16 | 400 | 1200 | 10-140 | 100-315 |
| 315A | 260 | 285 | 100 | 155.5 | 90 | 6 | 3-M16 | 400 | 1200 | 10-140 | 100-315 |
| 400 | 340 | 368 | 130 | 155.5 | 100 | 6 | 3-M16 | 500 | 1000 | 15-210 | 120-400 |
| 400A | 340 | 368 | 130 | 170.5 | 100 | 6 | 3-M16 | 500 | 1000 | 15-210 | 120-400 |
| 500 | 440 | 465 | 200 | 176 | 115 | 6 | 3-M16 | 500 | 1000 | 25-280 | 150-500 |
| 500A | 440 | 465 | 200 | 203 | 115 | 6 | 3-M16 | 630 | 800 | 25-280 | 150-500 |
| 630A | 560 | 595 | 260 | 218 | 130 | 8 | 3-M16 | 800 | 600 | 50-350 | 170-630 |

Tmax – максимальный крутящий момент
RPM – максимальное количество оборотов в минуту

Токарный патрон, 4-х кулачковый



| Типоразмер, D | D1 | D2 | D3 | H* | H1* | h* | z-d | Tmax, Hm | RPM, об/мин | A-A1 | C-C1 |
|---------------|-----|-----|-----|-------|-----|-----|-------|----------|-------------|---------|----------|
| 80 | 55 | 66 | 16 | 66 | 50 | 3.5 | 3-M6 | 40 | 4000 | 2-22 | 22-63 |
| 100 | 72 | 84 | 22 | 74.5 | 55 | 3.5 | 3-M8 | 60 | 3500 | 2-30 | 30-80 |
| 125 | 95 | 108 | 30 | 85 | 58 | 4 | 3-M8 | 100 | 3000 | 2.5-40 | 38-110 |
| 130 | 100 | 115 | 30 | 85 | 60 | 4 | 3-M8 | 100 | 3000 | 2.5-40 | 38-110 |
| 160 | 130 | 142 | 45 | 95 | 65 | 5 | 3-M8 | 160 | 2500 | 5-55 | 55-145 |
| 160A | 130 | 142 | 40 | 109 | 65 | 5 | 3-M8 | 160 | 2500 | 3-55 | 55-145 |
| 200 | 165 | 180 | 65 | 109 | 75 | 5 | 3-M10 | 250 | 2000 | 4-85 | 65-200 |
| 200A | 165 | 180 | 65 | 122 | 75 | 5 | 3-M10 | 250 | 2000 | 4-85 | 65-200 |
| 250 | 206 | 226 | 80 | 120 | 80 | 5 | 3-M12 | 320 | 1600 | 6-110 | 90-250 |
| 250A | 206 | 226 | 80 | 133 | 80 | 5 | 3-M12 | 320 | 1600 | 6-110 | 90-250 |
| 315 | 260 | 285 | 100 | 142.5 | 90 | 6 | 3-M16 | 400 | 1200 | 10-140 | 100-315 |
| 315A | 260 | 285 | 100 | 155.5 | 90 | 6 | 3-M16 | 400 | 1200 | 12-140 | 100-315 |
| 320 | 270 | 290 | 100 | 142.5 | 95 | 11 | 3-M16 | 400 | 1200 | 10-140 | 100-315 |
| 320A | 270 | 290 | 100 | 155.5 | 95 | 11 | 3-M16 | 400 | 1200 | 10-140 | 100-315 |
| 325 | 272 | 296 | 100 | 142.5 | 96 | 11 | 3-M16 | 400 | 1200 | 10-140 | 100-315 |
| 325A | 272 | 296 | 100 | 155.5 | 96 | 11 | 3-M16 | 400 | 1200 | 10-140 | 100-315 |
| 380 | 325 | 350 | 135 | 155.5 | 98 | 6 | 3-M16 | 500 | 1000 | 15-210 | 120-400 |
| 380A | 325 | 350 | 135 | 170.5 | 98 | 6 | 3-M16 | 500 | 1000 | 15-210 | 120-400 |
| 400 | 340 | 368 | 130 | 155.5 | 100 | 6 | 3-M16 | 500 | 1000 | 15-210 | 120-400 |
| 400A | 340 | 368 | 130 | 170.5 | 100 | 6 | 3-M16 | 500 | 1000 | 16-210 | 120-400 |
| 500 | 440 | 465 | 200 | 176 | 115 | 6 | 6-M16 | 500 | 1000 | 25-280 | 150-500 |
| 500A | 440 | 465 | 200 | 203 | 115 | 6 | 6-M16 | 630 | 800 | 25-280 | 150-500 |
| 630A | 560 | 595 | 260 | 218 | 130 | 8 | 6-M16 | 800 | 600 | 50-350 | 170-630 |
| 800A | 710 | 760 | 280 | 249 | 155 | 8 | 6-M20 | 1000 | 730 | 150-640 | 250-800 |
| 1000A | 910 | 950 | 400 | 266 | 165 | 10 | 6-M24 | 1200 | 600 | 260-720 | 450-1000 |

*Справочные размеры.

Tmax – максимальный крутящий момент

RPM – максимальное количество оборотов в минуту